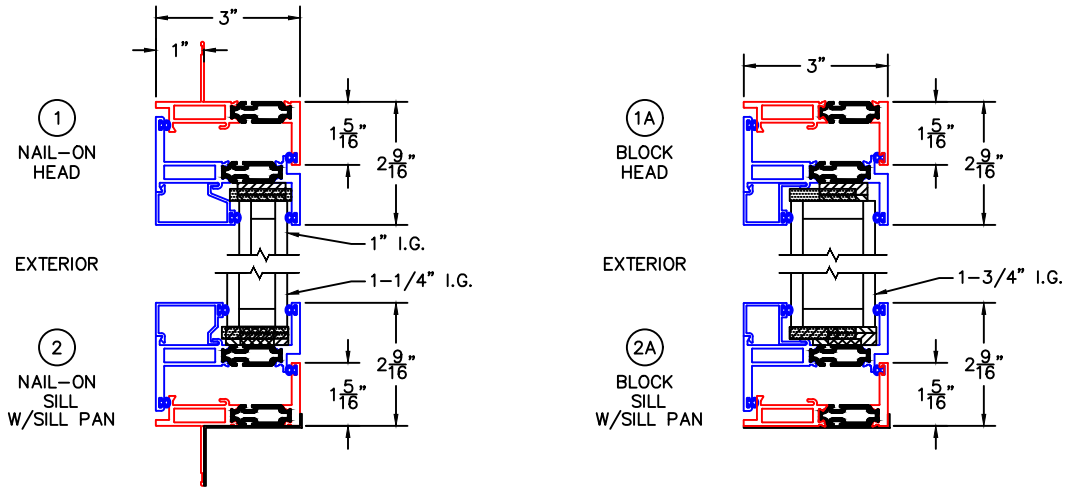


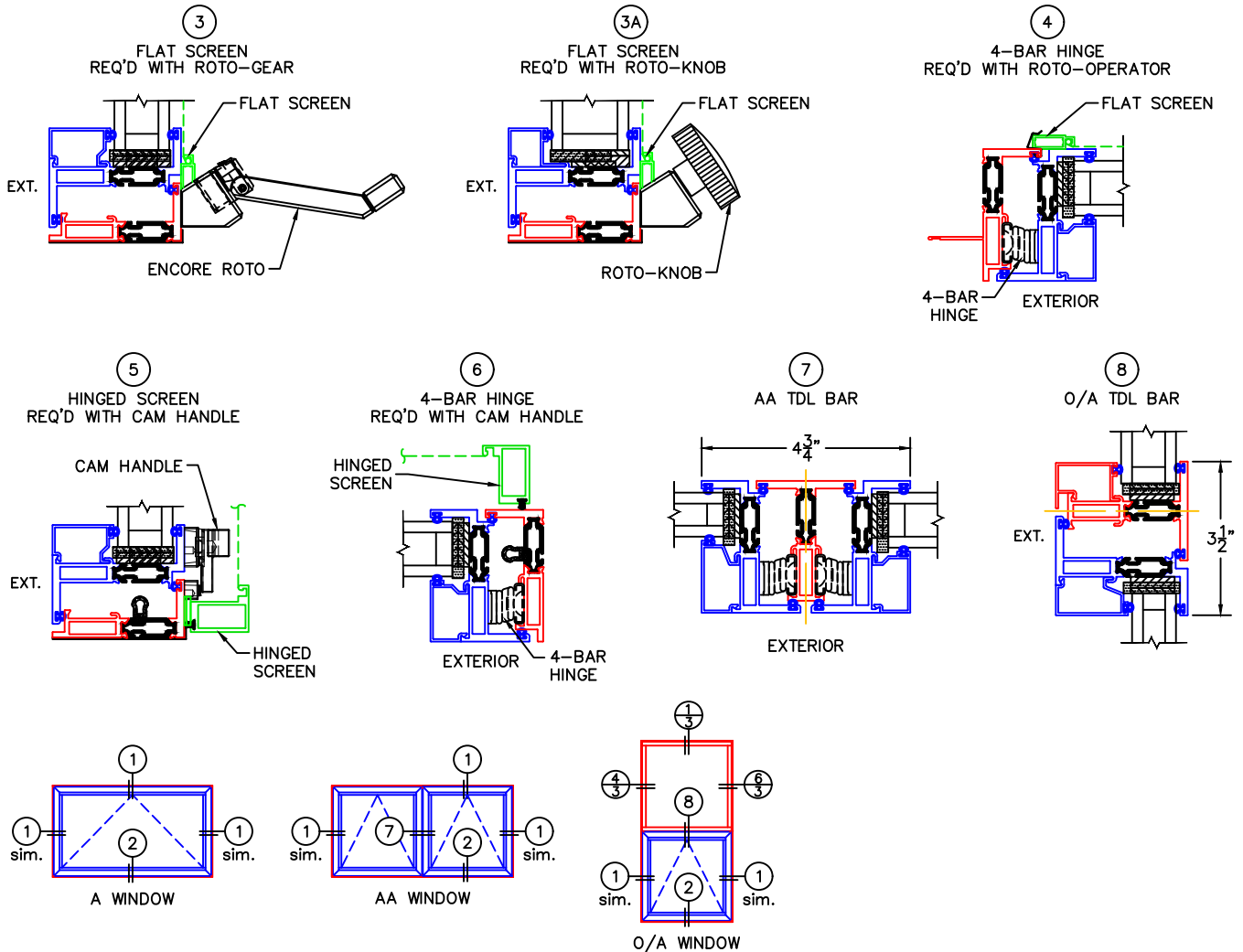
(USE RULER TO SCALE DIMENSIONS IN INCHES)

SCALE: 1/4"

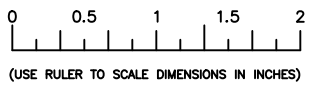
**AWNING WINDOW DETAILS**  
1", 1-1/4" AND 1-3/4" INSULATED  
GLAZING AVAILABLE AS SHOWN



**MULLION AND HARDWARE OPTIONS**

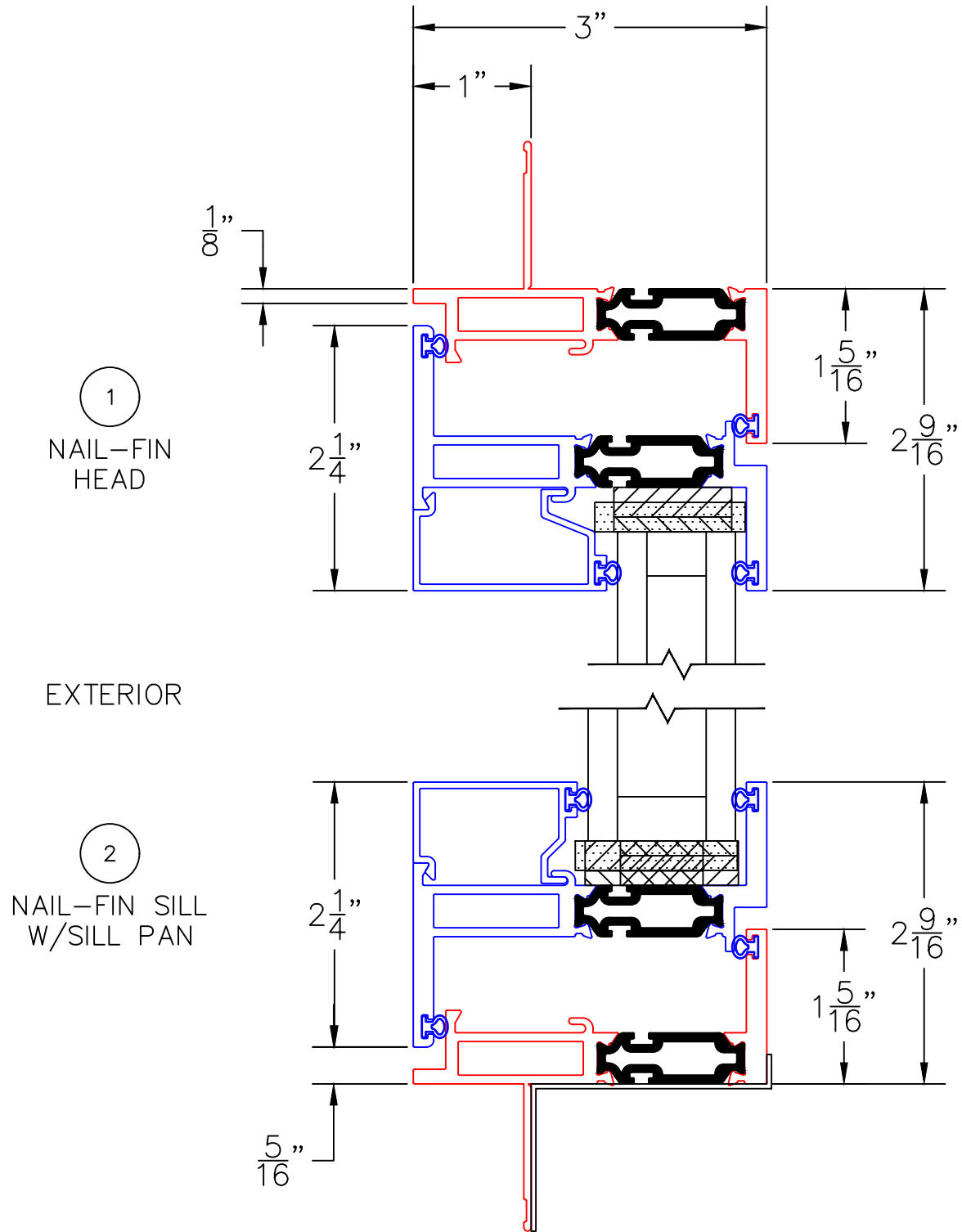


-GLASS PENETRATION: 1/2"  
-3/32" VENT FLUSH TOLERANCE IN CLOSED POSITION.  
-EXTERIOR RATED PRODUCTS HAVE WEEP SLOTS ON HORIZONTAL SILLS.



SCALE: 3/4

AWNING WINDOW DETAILS  
1" & 1-1/4" INSULATED GLAZING SHOWN



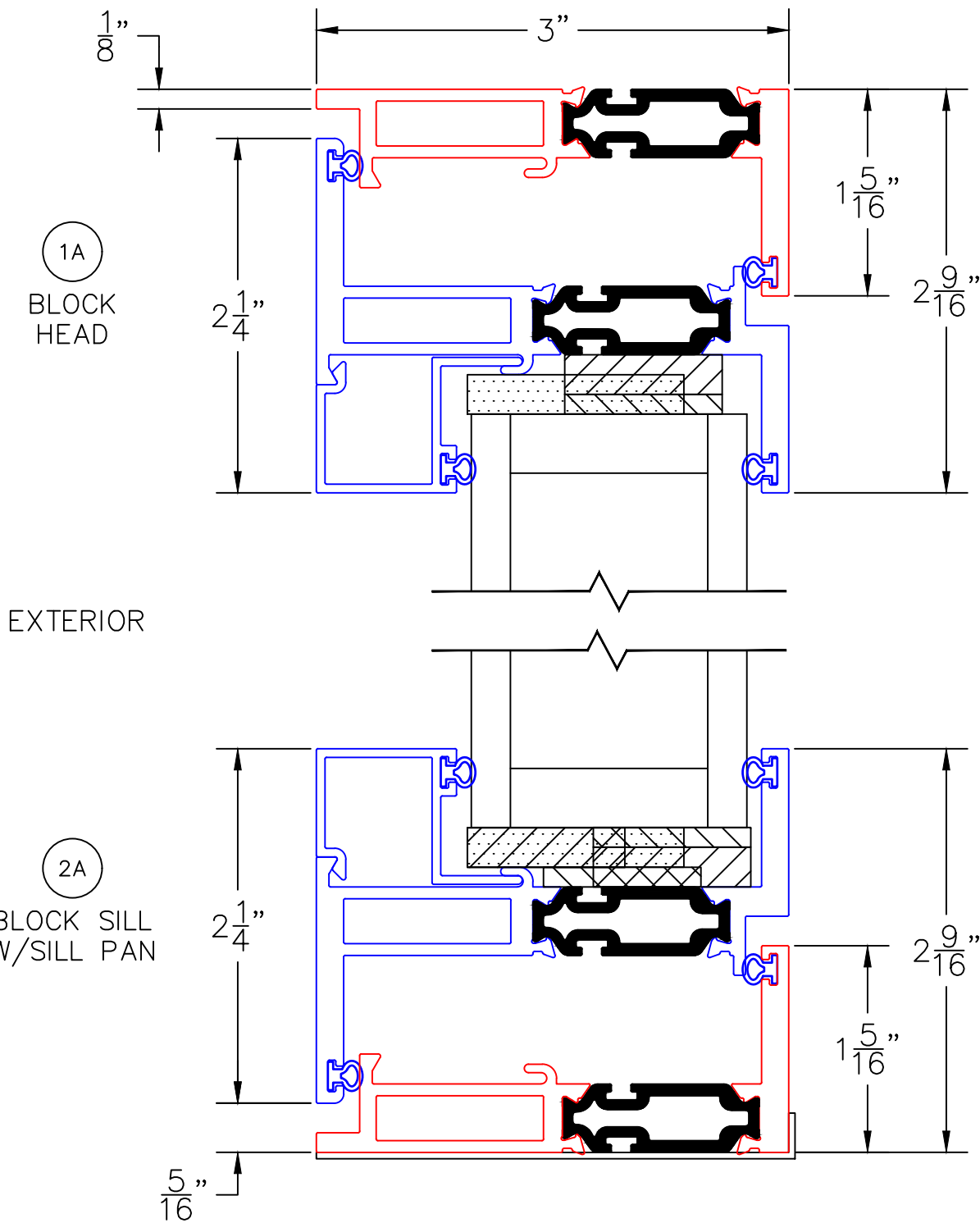
1  
NAIL-FIN HEAD

2  
NAIL-FIN SILL  
W/SILL PAN

EXTERIOR

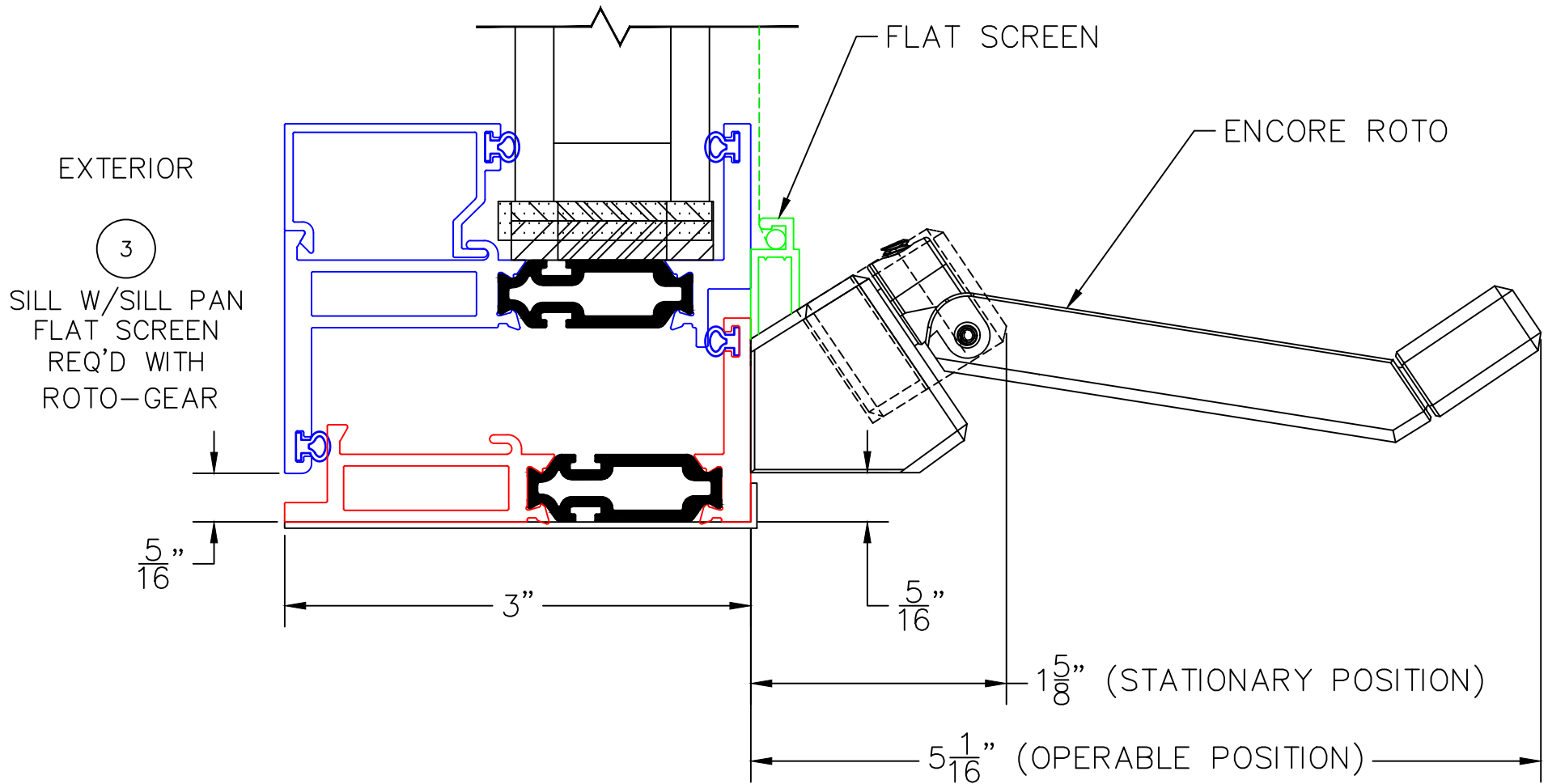
0 0.5 1  
(USE RULER TO SCALE DIMENSIONS IN INCHES)  
**SCALE: FULL**

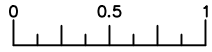
AWNING WINDOW DETAILS  
1-3/4" INSULATED GLAZING SHOWN



0 0.5 1  
(USE RULER TO SCALE DIMENSIONS IN INCHES)  
**SCALE: FULL**

AWNING WINDOW DETAILS  
1-1/4" INSULATED GLAZING SHOWN





(USE RULER TO SCALE DIMENSIONS IN INCHES)

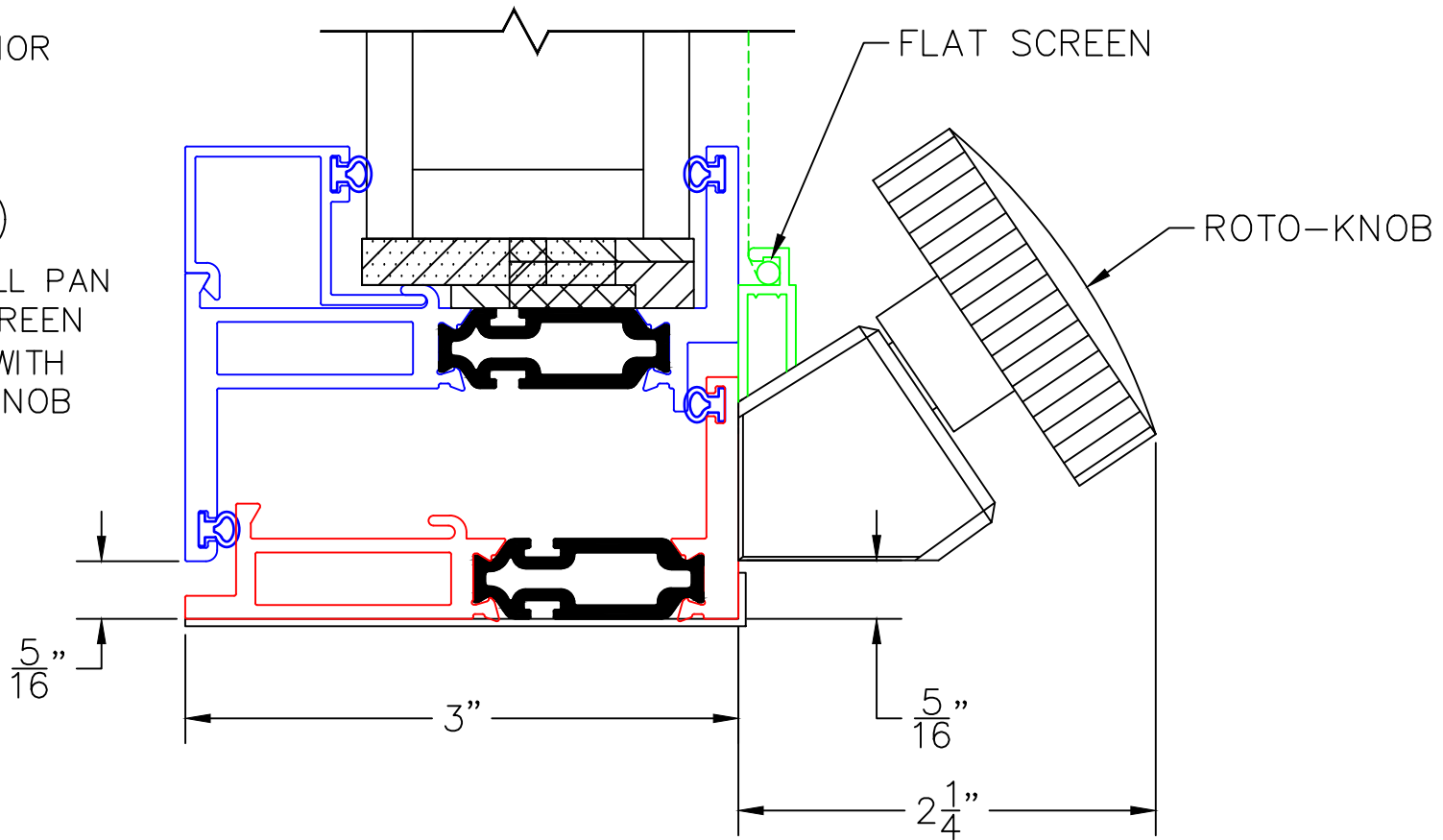
SCALE: FULL

## AWNING WINDOW DETAILS 1-3/4" INSULATED GLAZING SHOWN

EXTERIOR

3A

SILL W/SILL PAN  
FLAT SCREEN  
REQ'D WITH  
ROTO-KNOB

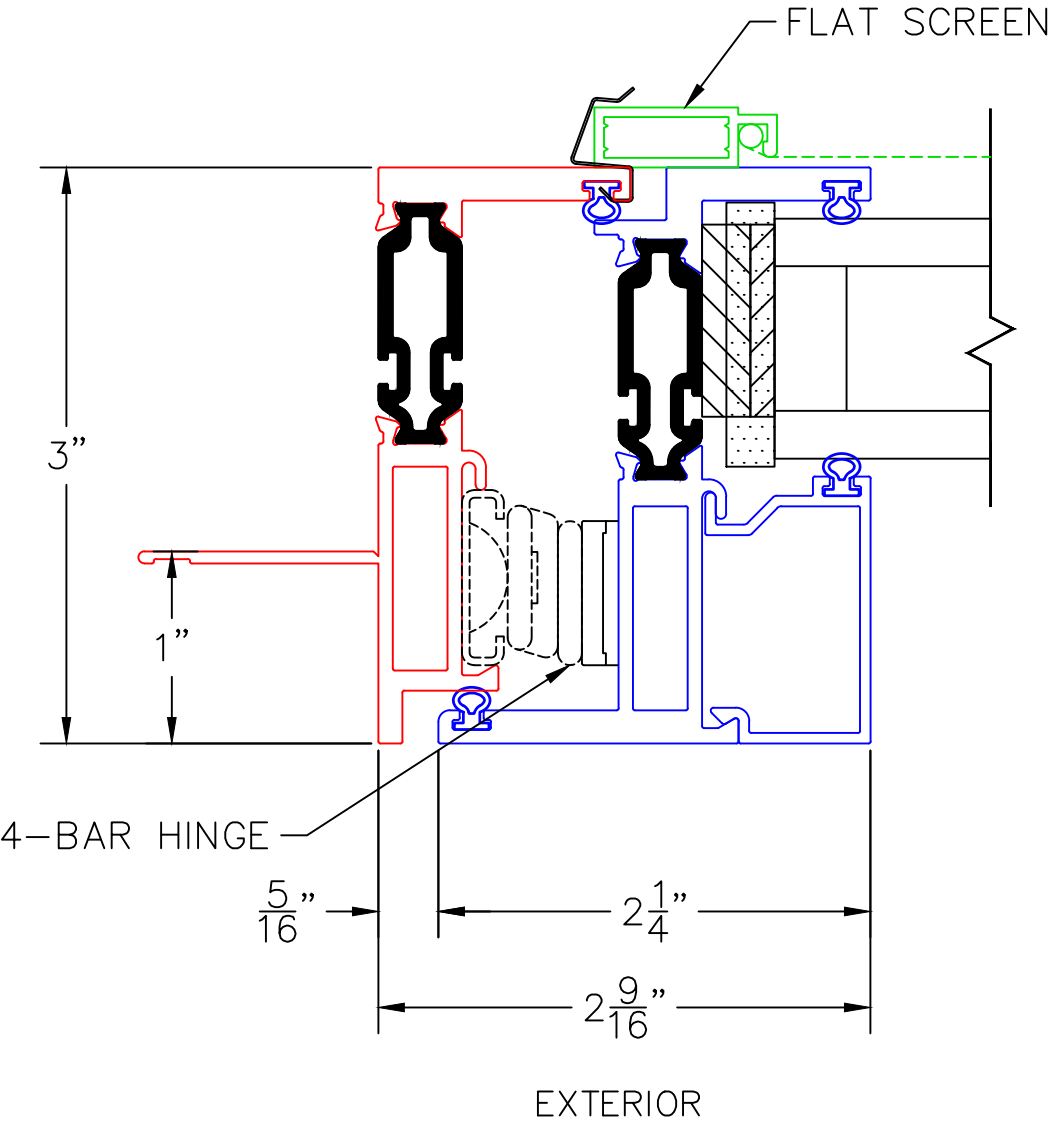


0 0.5 1  
(USE RULER TO SCALE DIMENSIONS IN INCHES)  
**SCALE: FULL**

AWNING WINDOW DETAILS  
1-1/4" INSULATED GLAZING SHOWN

4

NAIL-FIN JAMB  
4-BAR HINGE REQ'D  
WITH ROTO-OPERATOR

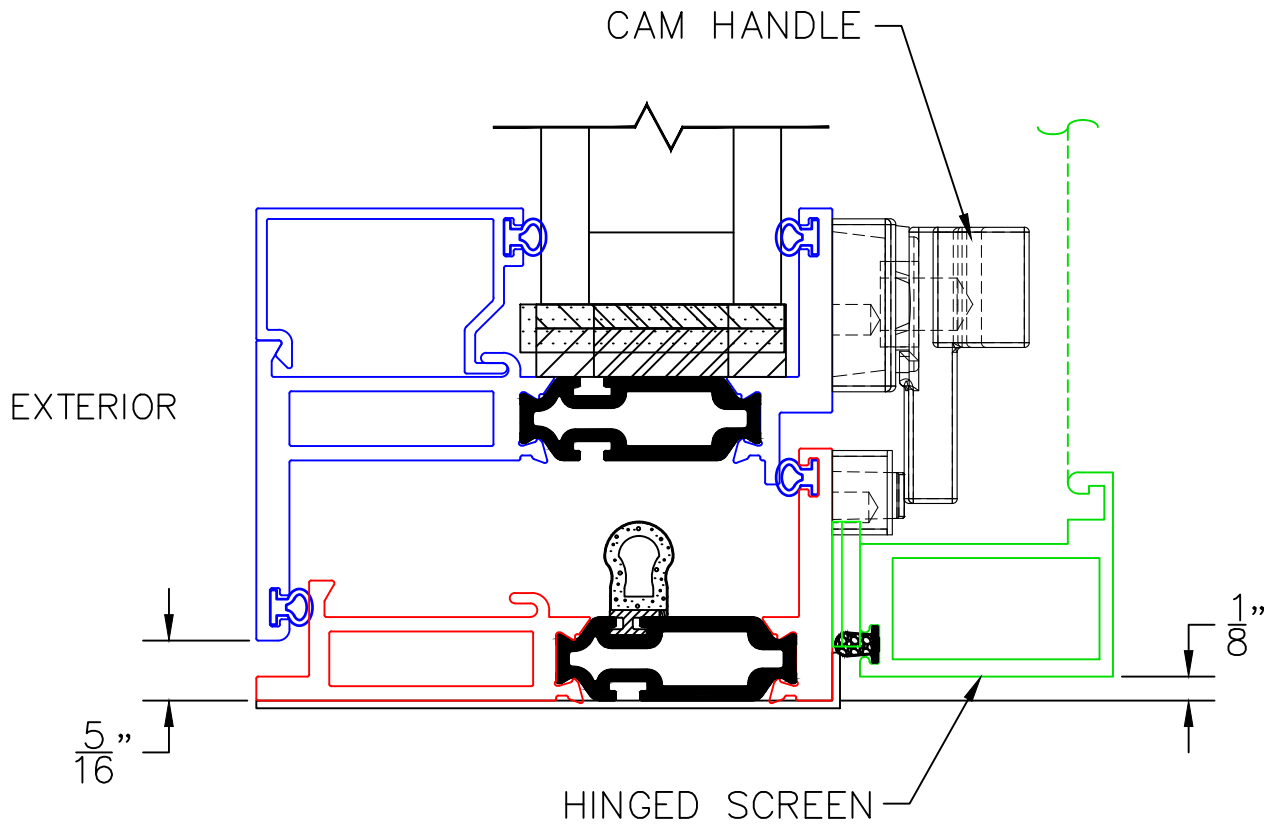


0 0.5 1  
(USE RULER TO SCALE DIMENSIONS IN INCHES)  
**SCALE: FULL**

AWNING WINDOW DETAILS  
1-1/4" INSULATED GLAZING SHOWN

5

SILL W/SILL PAN  
HINGED SCREEN REQ'D  
WITH CAM HANDLE

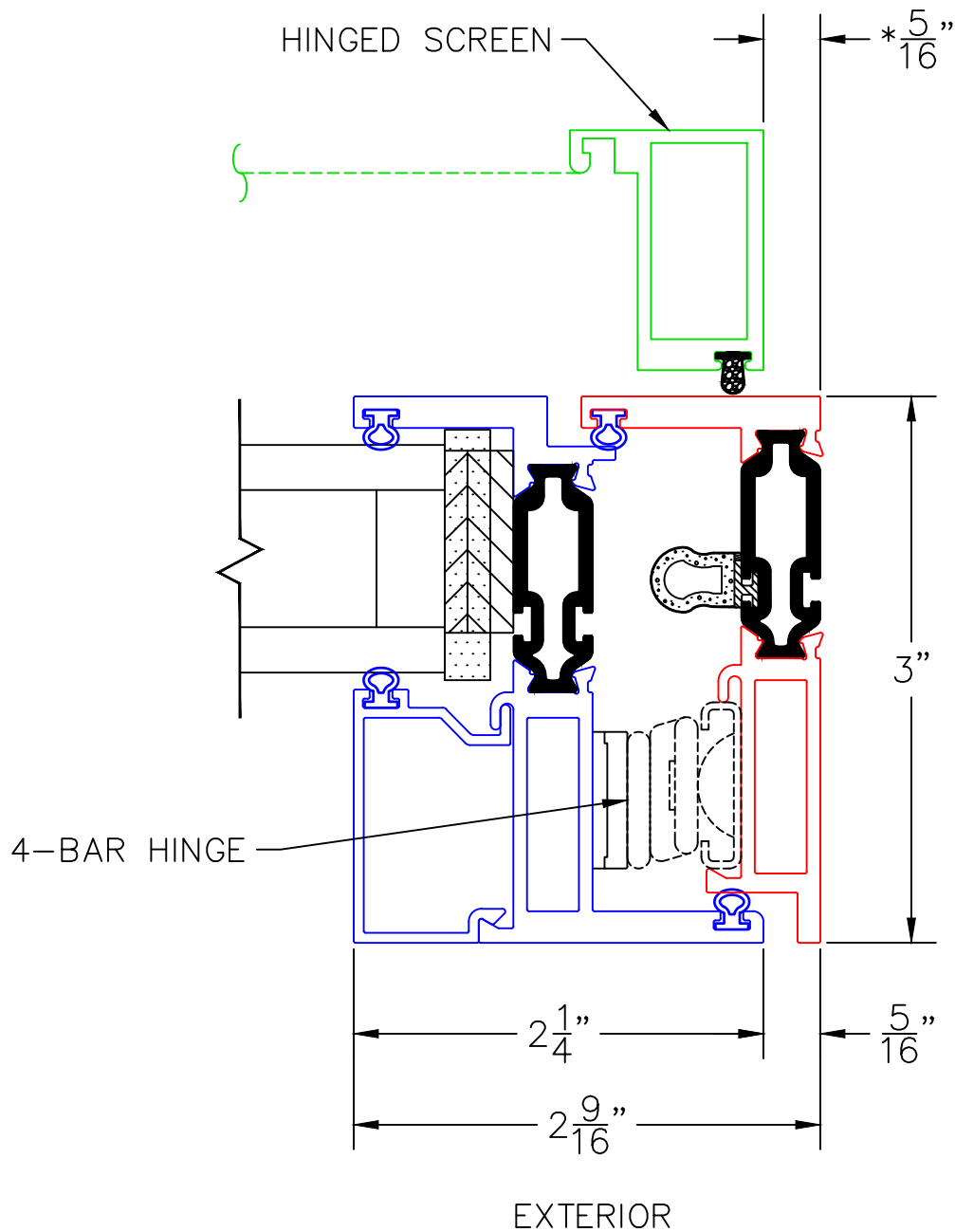


0 0.5 1  
(USE RULER TO SCALE DIMENSIONS IN INCHES)  
**SCALE: FULL**

AWNING WINDOW DETAILS  
1-1/4" INSULATED GLAZING SHOWN

6

BLOCK JAMB  
4-BAR HINGE REQ'D  
WITH CAM HANDLE



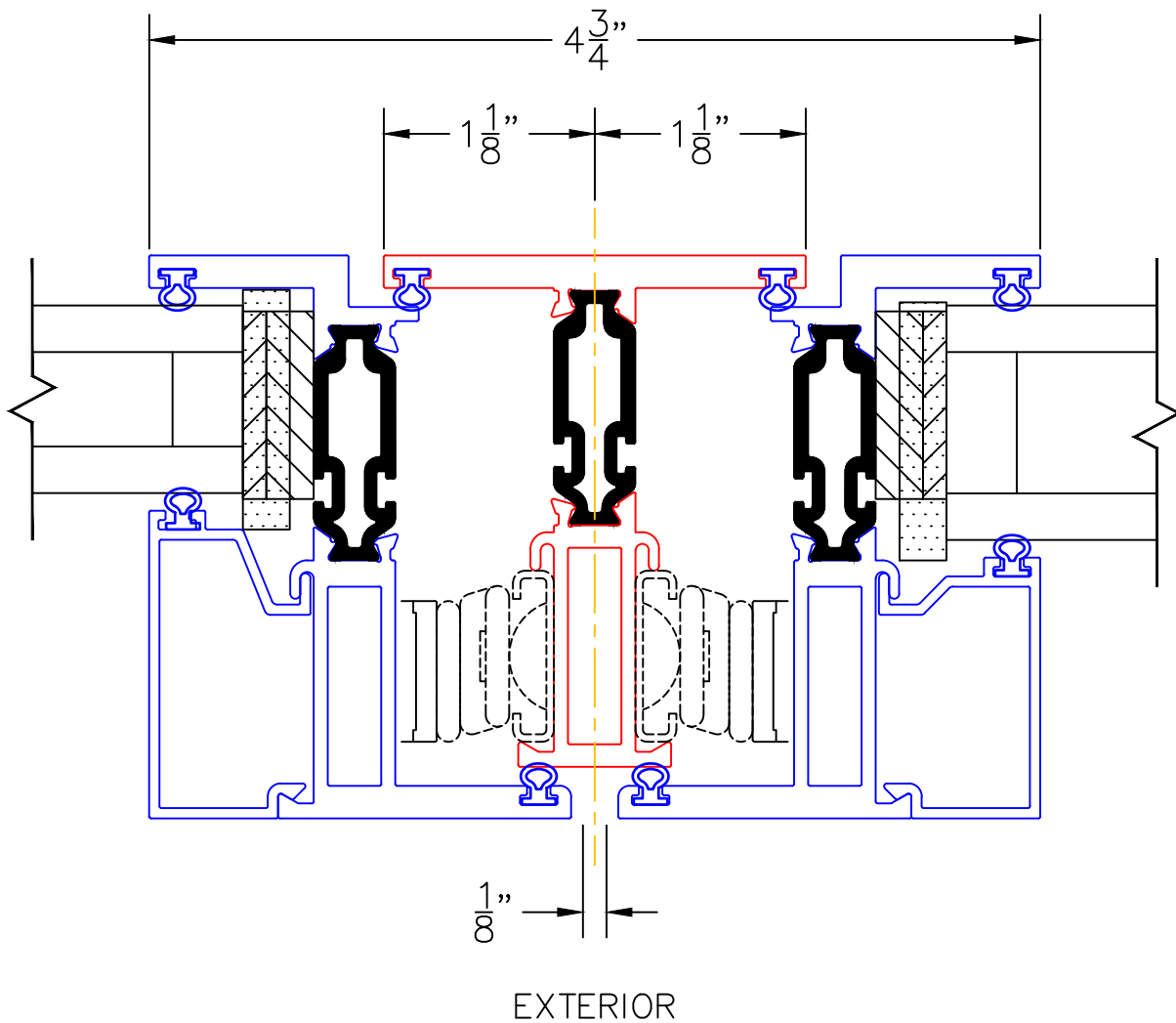
\*NOTE: 1/8" CLEARANCE WITH SINGLE-POINT LOCK AT JAMB

0 0.5 1  
(USE RULER TO SCALE DIMENSIONS IN INCHES)  
SCALE: FULL

AWNING WINDOW DETAILS  
1 & 1-1/4" INSULATED GLAZING SHOWN

7

AA  
TDL BAR



0 0.5 1  
(USE RULER TO SCALE DIMENSIONS IN INCHES)  
**SCALE: FULL**

AWNING WINDOW DETAILS  
1 & 1-1/4" INSULATED GLAZING SHOWN

8  
O/A  
TDL BAR

