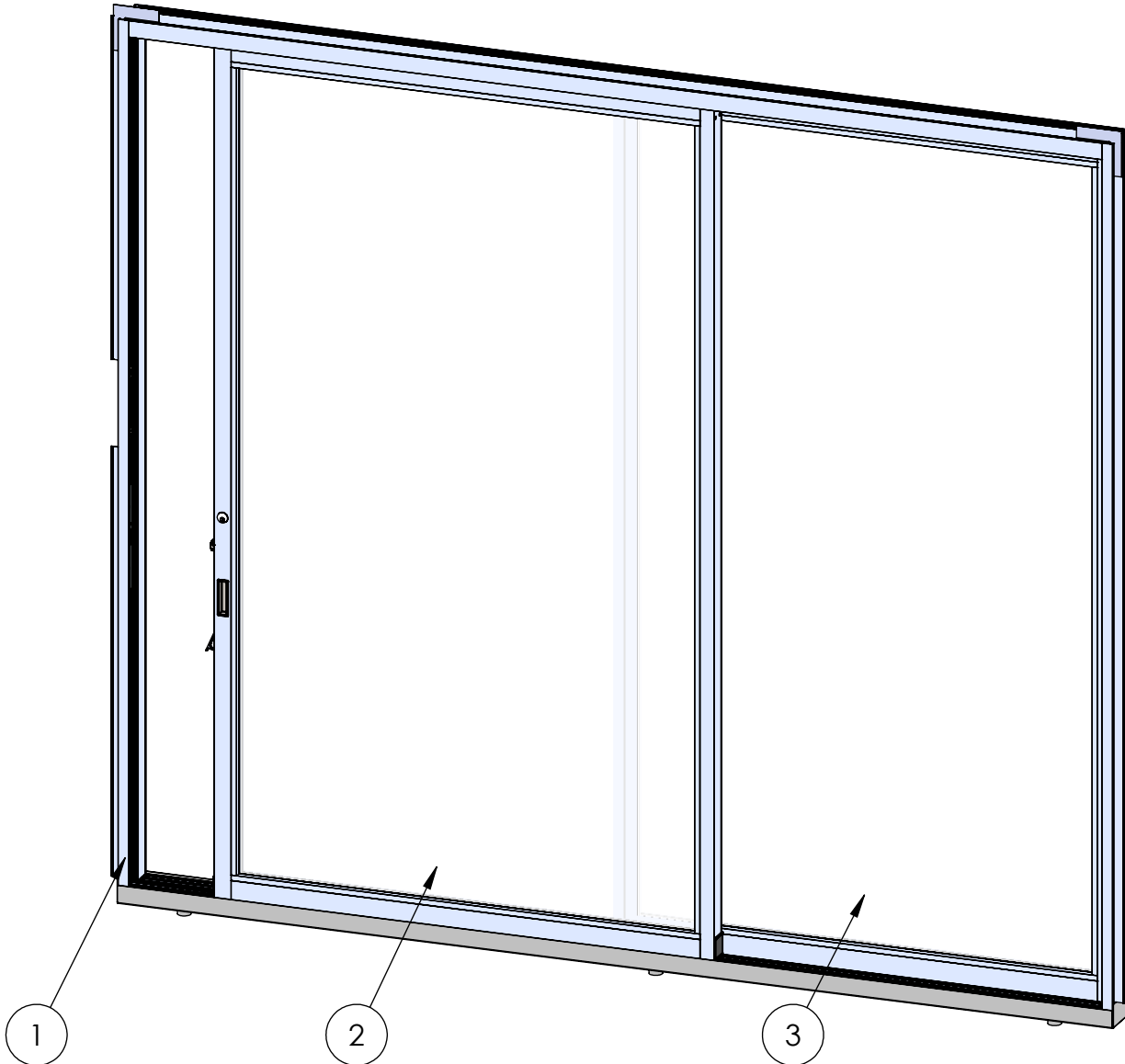


# ASSEMBLY / PARTS LIST (B.O.M.)

**Series: 4070-T**  
**Type: XO Configuration**

TABLE OF CONTENTS		
ITEM NO.	DESCRIPTION	PAGE #
1	Frame Assembly	2-3
2	Sliding Panel Assembly	4-5
3	Fixed Panel Assembly	6

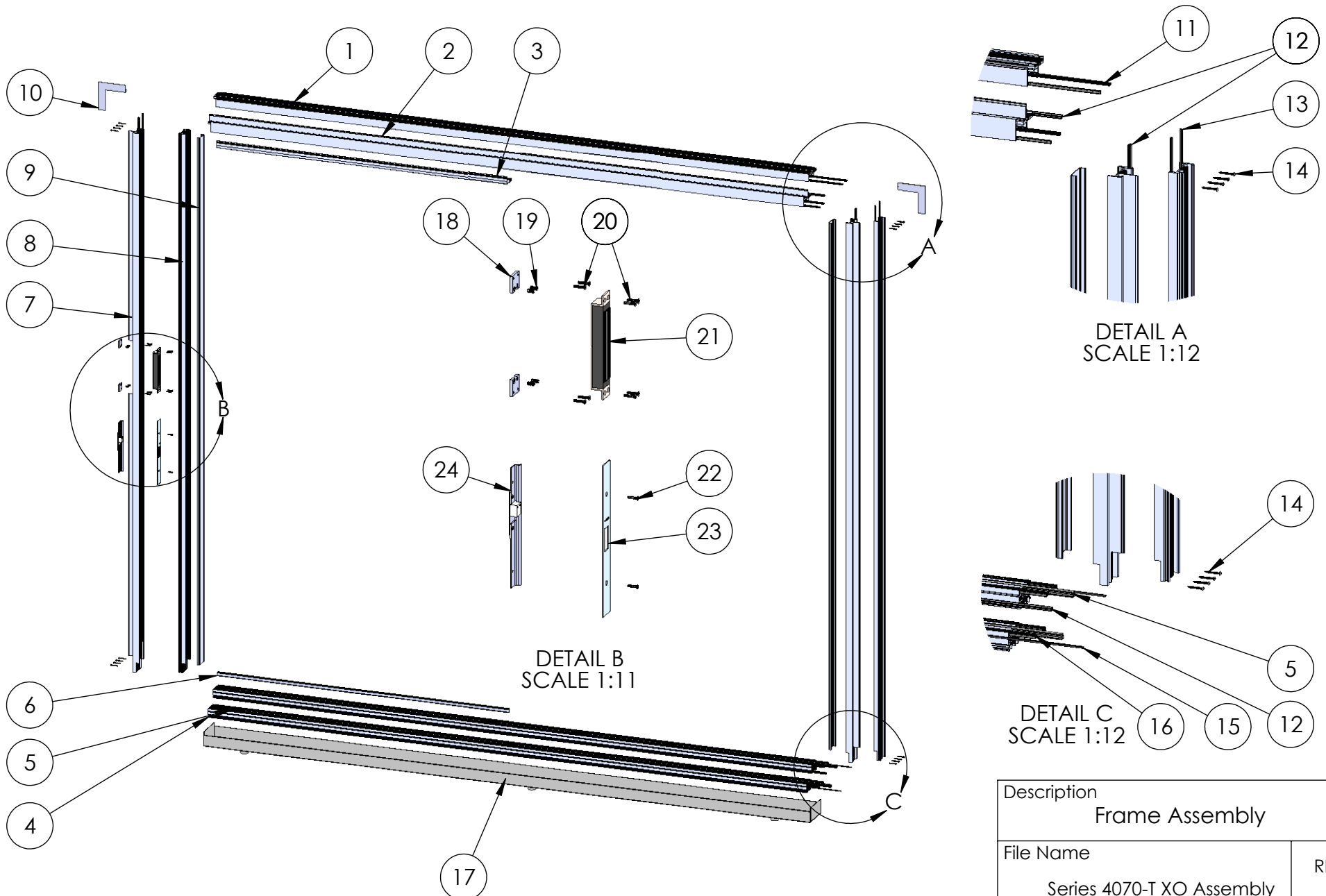
- NOTES:
- Exterior Glazing Shown
  - Optional Magnetic Secondary Lock Shown



**PROPRIETARY AND CONFIDENTIAL**  
 THE INFORMATION CONTAINED IN THIS DRAWING IS THE SOLE PROPERTY OF FLEETWOOD WINDOWS & DOORS.  
 ANY REPRODUCTION IN PART OR AS A WHOLE WITHOUT THE WRITTEN PERMISSION OF FLEETWOOD WINDOWS & DOORS IS PROHIBITED.

Description Table of Contents	
File Name Series 4070-T XO Assembly (Heavy Duty)	REV -
Released 10/14/2025	SHEET 1 OF 6

# ASSEMBLY / PARTS LIST (B.O.M.)



**PROPRIETARY AND CONFIDENTIAL**  
 THE INFORMATION CONTAINED IN THIS DRAWING IS THE SOLE PROPERTY OF FLEETWOOD WINDOWS & DOORS.  
 ANY REPRODUCTION IN PART OR AS A WHOLE WITHOUT THE WRITTEN PERMISSION OF FLEETWOOD WINDOWS & DOORS IS PROHIBITED.

Description	
Frame Assembly	
File Name	REV
Series 4070-T XO Assembly (Heavy Duty)	-
Released 10/14/2025	SHEET 2 OF 6



# ASSEMBLY / PARTS LIST (B.O.M.)

## EXTRUSIONS

ITEM NO.	PART NUMBER	DESCRIPTION	QTY.
1	4727	Block Head	1
2	4701	Nail Fin Head	1
3	4706	Head Filler	1
4	4751	Heavy Duty Sill	2
5	FW1020	Stainless Steel Track	2
6	4749	Sill Filler	1
7	4703	Nail Fin Jamb	2
8	4728	Block Jamb	2
9	4705	Jamb Filler / Anti-lift	2
10	18629	Nail-Fin Corner (For Nail-Fin Door)	2

## HARDWARE

ITEM NO.	PART NUMBER	DESCRIPTION	QTY.
11	25912	Fin Seal Mohair 190270	4
12	25065	14.6mm x 10.2mm I-Strut	4
13	25757	Q-Lon Foam Seal 0.2 x 0.27	4
14	20353	#10 PHP - A, 1-1/2", SS, Clear	16
15	25189	Q-Lon Foam Seal	2
16	27538	Fin Seal Mohair 270270	8
17	-	Heavy-Duty Arche-Duct	1
18	27437	Magnetic Latch Backup Plate	2
19	27311	Magnetic Latch Compression Spring	4
20	25488, 25489	#10-32 Torx Flat Head Screw, 1 in. (SS, Black)	8

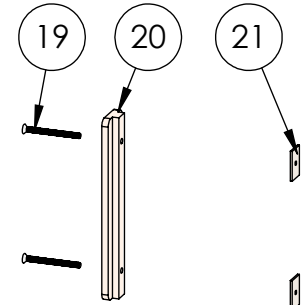
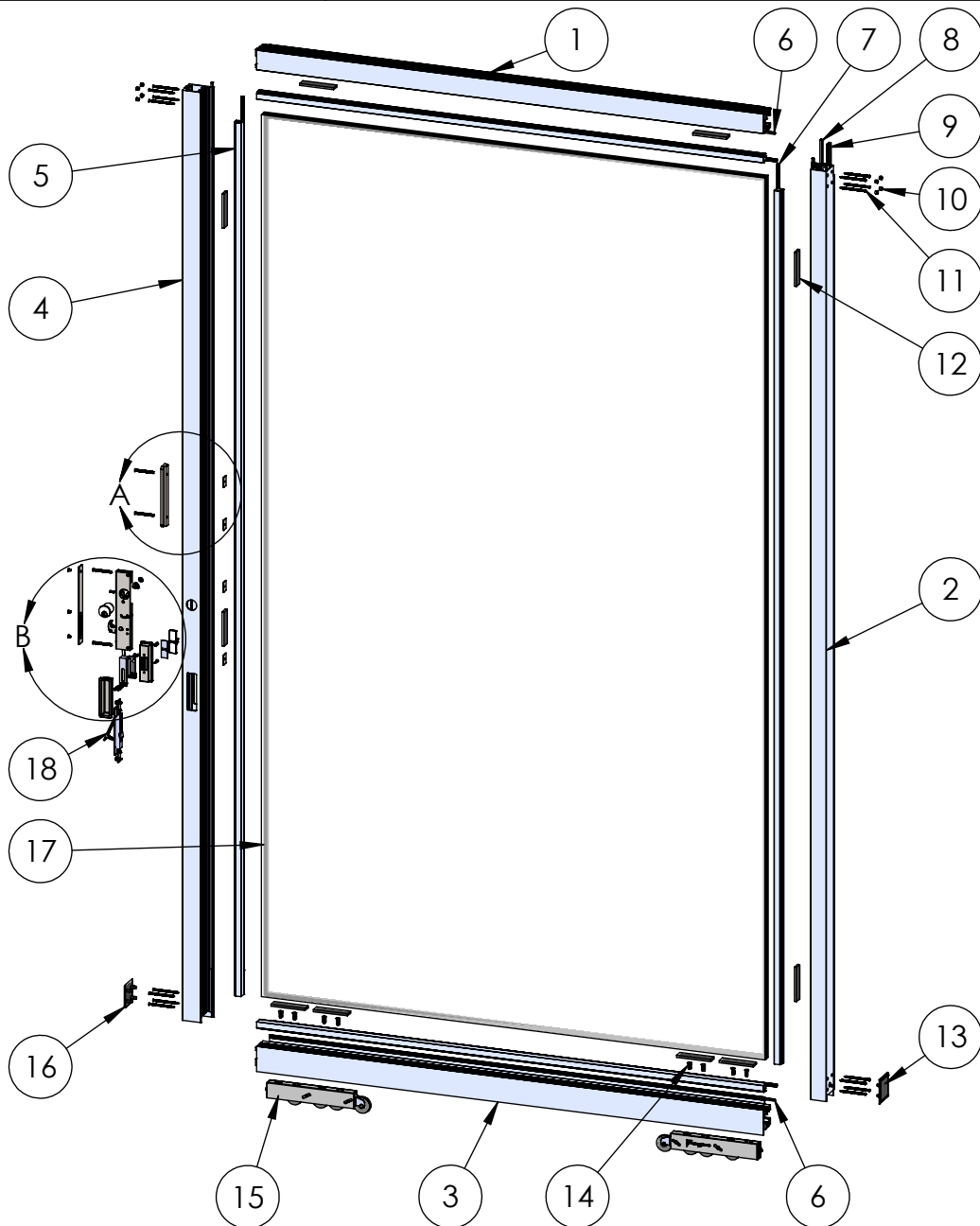
## HARDWARE

ITEM NO.	PART NUMBER	DESCRIPTION	QTY.
21	27310	ROFU 8406M Sliding Door Magnet	1
22	25563	#10-32 FHP Screw, 7/8", SS, Clear	2
23	24067	Strike Plate	1
24	25921	Backup Plate Assembly (LH Nailfin Ext.)	1

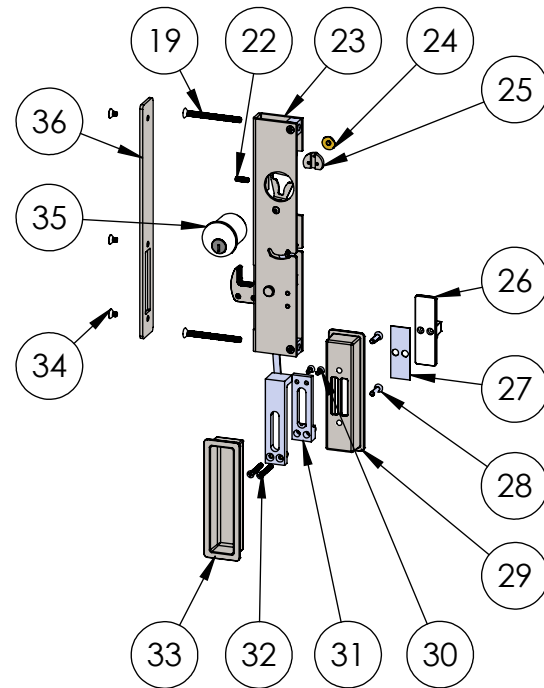
Description	
Frame B.O.M.	
File Name	REV
Series 4070-T XO Assembly (Heavy Duty)	-
Released 10/14/2025	SHEET 3 OF 6

**PROPRIETARY AND CONFIDENTIAL**  
 THE INFORMATION CONTAINED IN THIS DRAWING IS THE SOLE PROPERTY OF FLEETWOOD WINDOWS & DOORS.  
 ANY REPRODUCTION IN PART OR AS A WHOLE WITHOUT THE WRITTEN PERMISSION OF FLEETWOOD WINDOWS & DOORS IS PROHIBITED.

# ASSEMBLY / PARTS LIST (B.O.M.)



DETAIL A  
SCALE 1:7



DETAIL B  
SCALE 1:7

**PROPRIETARY AND CONFIDENTIAL**  
THE INFORMATION CONTAINED IN THIS DRAWING IS THE SOLE PROPERTY OF FLEETWOOD WINDOWS & DOORS.  
ANY REPRODUCTION IN PART OR AS A WHOLE WITHOUT THE WRITTEN PERMISSION OF FLEETWOOD WINDOWS & DOORS IS PROHIBITED.

Description X Panel Active Right Assembly	
File Name Series 4070-T XO Assembly (Heavy Duty)	REV -
Released 10/14/2025	SHEET 4 OF 6

# ASSEMBLY / PARTS LIST (B.O.M.)

EXTRUSIONS			
ITEM NO.	PART NUMBER	DESCRIPTION	QTY.
1	4709	Top Rail	1
2	4711	Interlock Stacks Exterior	1
3	4750	Bottom Rail	1
4	4742	Lead Stile Slip Strut	1
5	3924, 4735, 4736	9/16", 1.25", 1.5" Glass Stops	4
HARDWARE			
ITEM NO.	PART NUMBER	DESCRIPTION	QTY.
6	25199	Mini Bulb Vinyl	4
7	27685	Medium Bulb Vinyl	4
8	19118	Small Fin Seal Mohair, 22027045BKGB	1
9	26046	Flexible Vinyl Air Barrier	1
10	25907	Round Plastic Plug	8
11	20262	#8 FHP Screw, 3 in.	16
12	18620	Setting Block 1/4" x 1" x 4"	10
13	26471	Interlocker Bottom Cap	1
14	20305	#1/4-20 FHP Screw, 0.75 in.	8
15	25768	A4 Quad Roller	2
16	26472	Lead Stile Bottom Cap	1
17	-	Glass	1
18	26136, 27680	Edge Pull Thermal (SS, BL)	1
19	25928	#10-32 FHP Screw, 2.188"	4
20	27370	Magnetic Strike 4070-T	1
21	18671	Back Up Plate	4

HARDWARE			
ITEM NO.	PART NUMBER	DESCRIPTION	QTY.
22	25330	#8-32 x 1/2" Set Screw narrow arch. Cyl,	1
23	25319	Archetype Narrow Latch XO	1
24	25681	Brass Bushing - Key Cylinder	1
25	24780	Cam - (for the Archetype Key Cylinder)	1
26	25317, 25318	Archetype Narrow Flush Actuator (BL, SS)	1
27	26245	Friction Pad .03"	1
28	26124, 26125	#8-32 Socket Head Screw, 11/16". (SS, BL)	2
29	25314, 25315	Archetype Narrow Flush Int. Pocket (BL, SS)	1
30	25890	#6-32 FHP-B Screw, .375 in.	2
31	25889	Adaptor Plate for Latch	1
32	25891	#6-32 FHP Screw, 1.125 in.	2
33	25925, 25926	Archetype Narrow Flush Ext. Deep Pocket (BL, SS)	1
34	24076	#8-32 FH Socket Cap Screw, 3/8",SS	3
35	25771-25774	Archetype Narrow KA Cylinder Set (BL, SS) & KD Cylinder Set (BL, SS)	1
36	25309	Archetype Narrow Latch Face Plate	1

Description  
X Panel Active Right B.O.M.

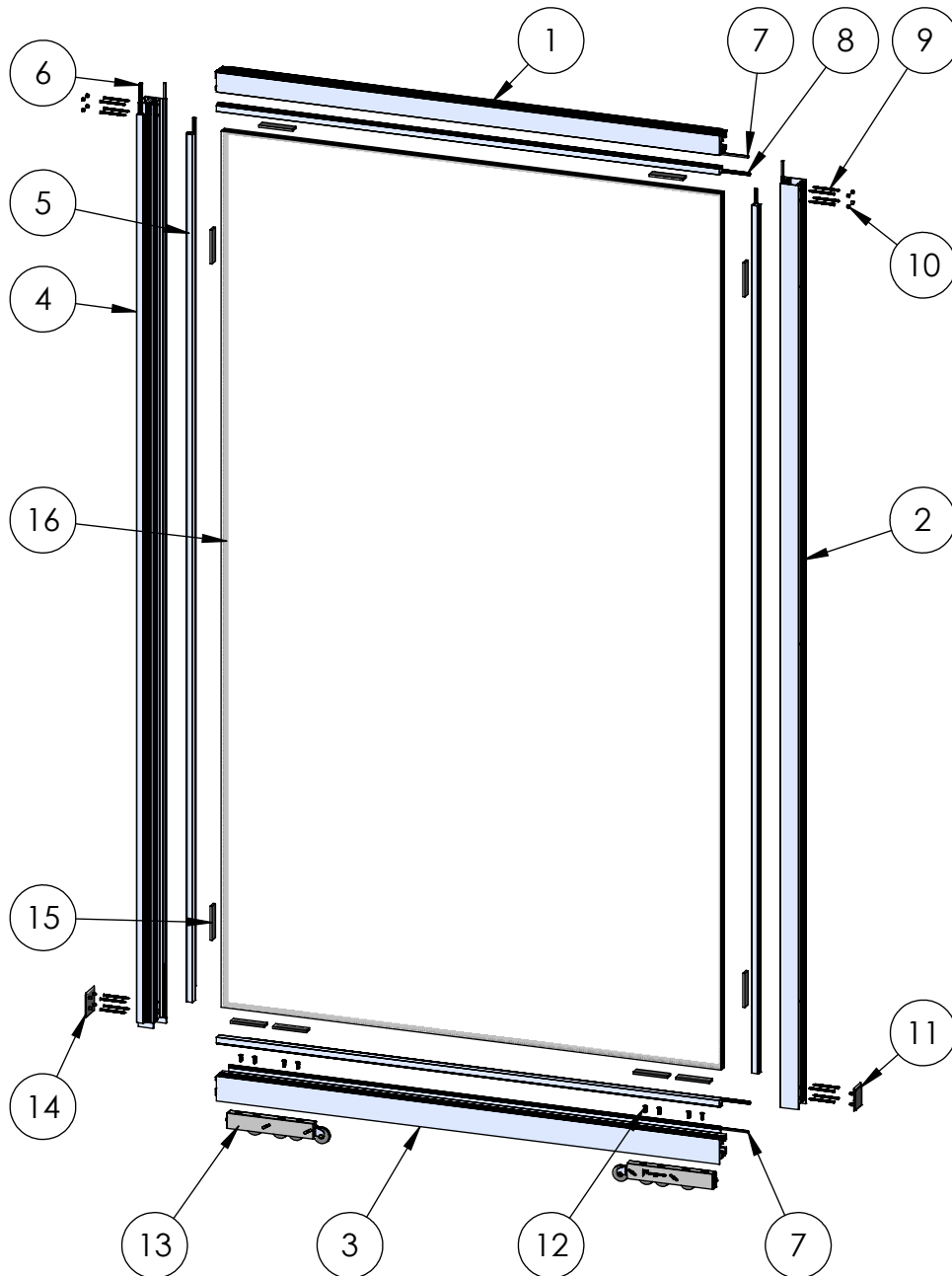
File Name	REV
Series 4070-T XO Assembly (Heavy Duty)	-

Released	10/14/2025	SHEET 5 OF 6
----------	------------	--------------

**PROPRIETARY AND CONFIDENTIAL**

THE INFORMATION CONTAINED IN THIS DRAWING IS THE SOLE PROPERTY OF FLEETWOOD WINDOWS & DOORS. ANY REPRODUCTION IN PART OR AS A WHOLE WITHOUT THE WRITTEN PERMISSION OF FLEETWOOD WINDOWS & DOORS IS PROHIBITED.

# ASSEMBLY / PARTS LIST (B.O.M.)



## EXTRUSION

ITEM NO.	PART NUMBER	DESCRIPTION	QTY.
1	4709	Top Rail	1
2	4710	Fixed Lead Stile	1
3	4750	Bottom Rail	1
4	4712	Sliding Interlocker Assembly	1
5	3924, 4735, 4736	9/16", 1.25", 1.5" Glass Stops	4

## HARDWARE

ITEM NO.	PART NUMBER	DESCRIPTION	QTY.
6	19118	Small Fin Seal Mohair, 22027045BKGB	1
7	25199	Mini Bulb Vinyl	4
8	25031	Bulb Vinyl Large	4
9	20262	#8 FHP Screw, 3 in.	16
10	25907	Round Plastic Plug	8
11	26472	Lead Stile Bottom Cap	1
12	20305	#1/4-20 FHP Screw, 0.75 in.	8
13	25768	A4 Quad Roller	2
14	26471	Interlocker Bottom Cap	1
15	18620	Setting Block 1/4" x 1" x 4"	10
16	-	Glass	1

**PROPRIETARY AND CONFIDENTIAL**

THE INFORMATION CONTAINED IN THIS DRAWING IS THE SOLE PROPERTY OF FLEETWOOD WINDOWS & DOORS. ANY REPRODUCTION IN PART OR AS A WHOLE WITHOUT THE WRITTEN PERMISSION OF FLEETWOOD WINDOWS & DOORS IS PROHIBITED.

Description O Panel Assembly	
File Name Series 4070-T XO Assembly (Heavy Duty)	REV -
Released 10/14/2025	SHEET 6 OF 6