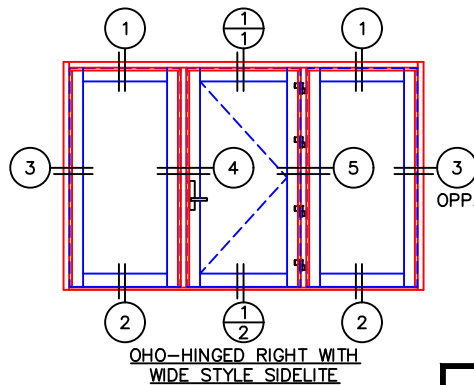
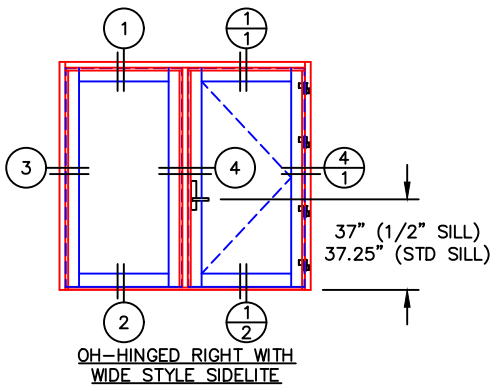
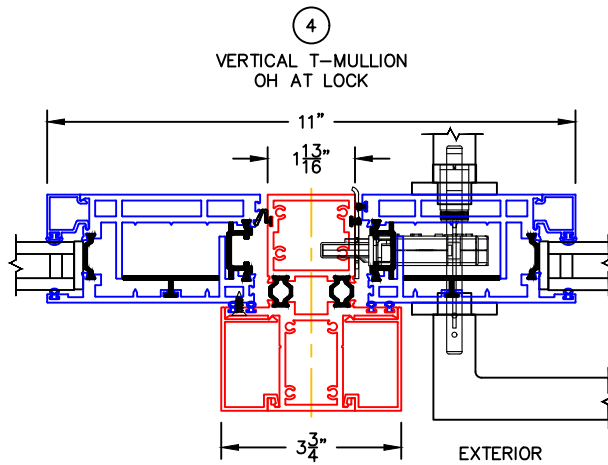
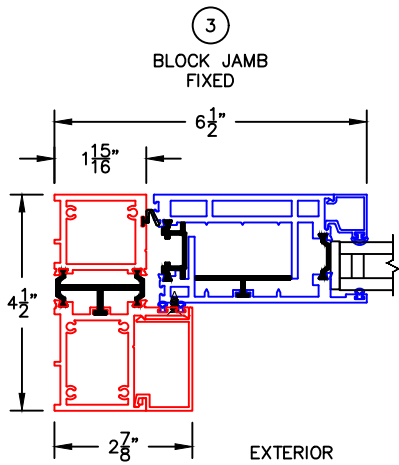
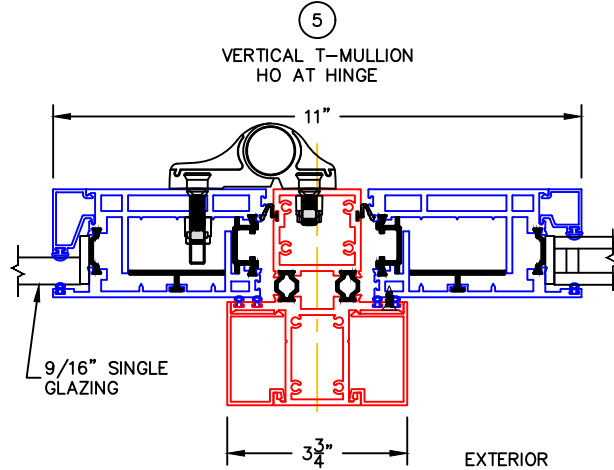
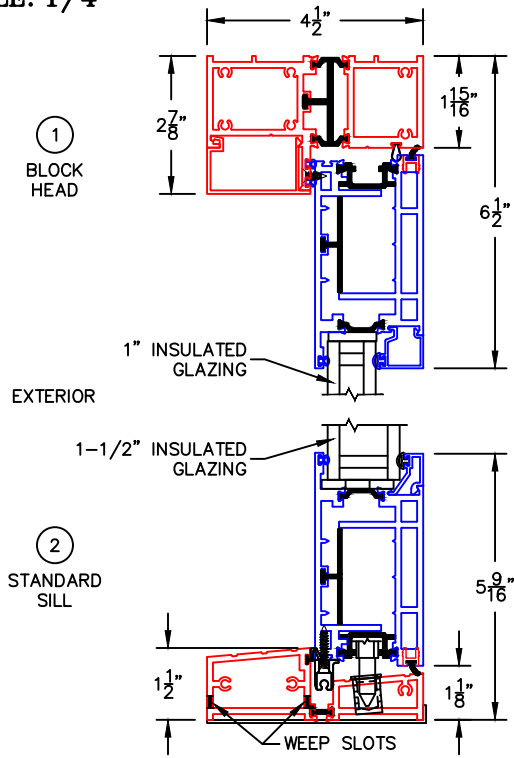


(USE RULER TO SCALE DIMENSIONS IN INCHES)

SCALE: 1/4

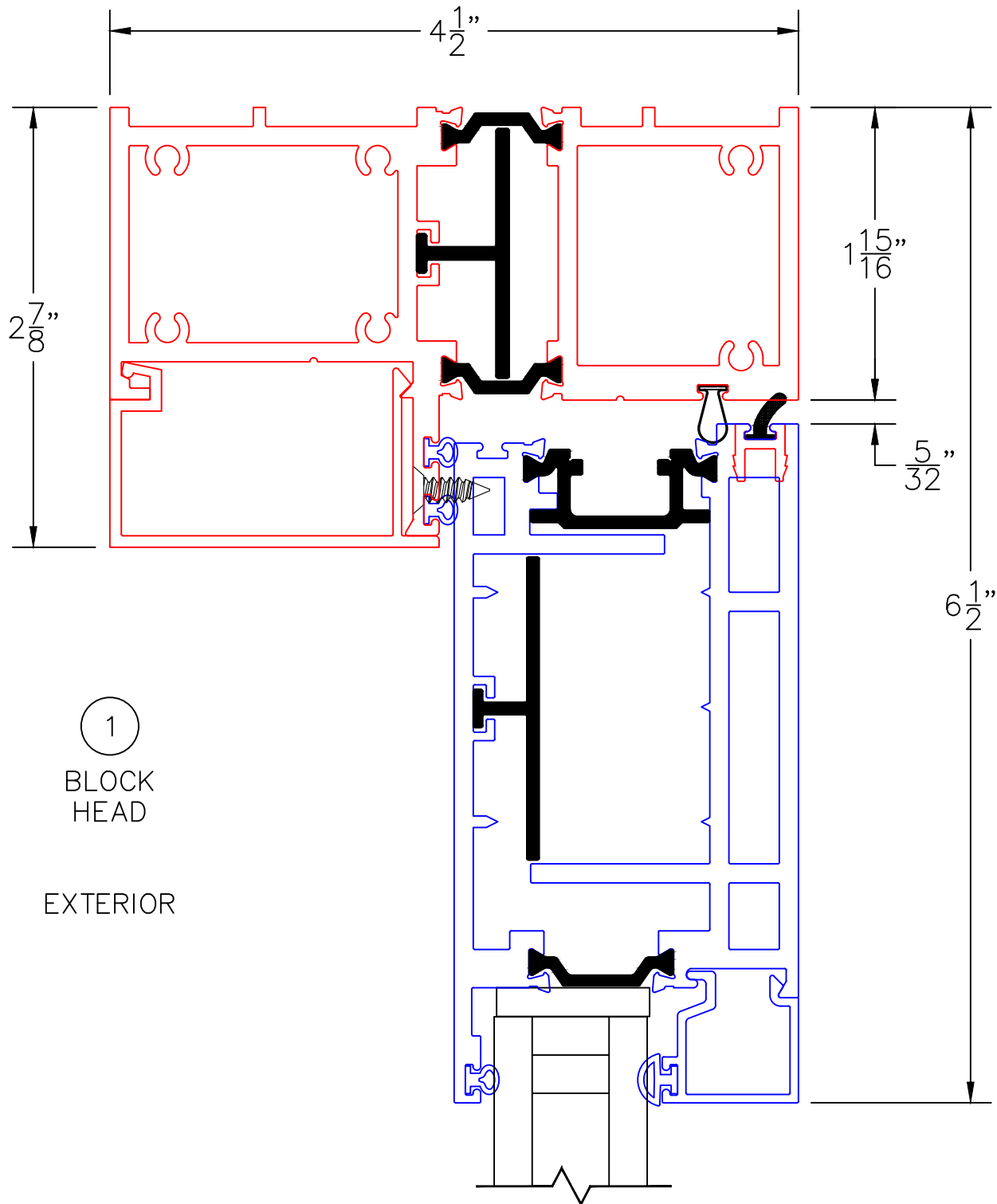
IN-SWING WIDE STYLE FIXED LITE
1" & 1-1/2" INSULATED & 9/16" SINGLE
GLAZING SHOWN



- GLASS PENETRATION: 9/16"
- 3/32" VENT FLUSH TOLERANCE IN CLOSED POSITION.
- EXTERIOR RATED PRODUCTS HAVE WEEP SLOTS ON HORIZONTAL SILLS.

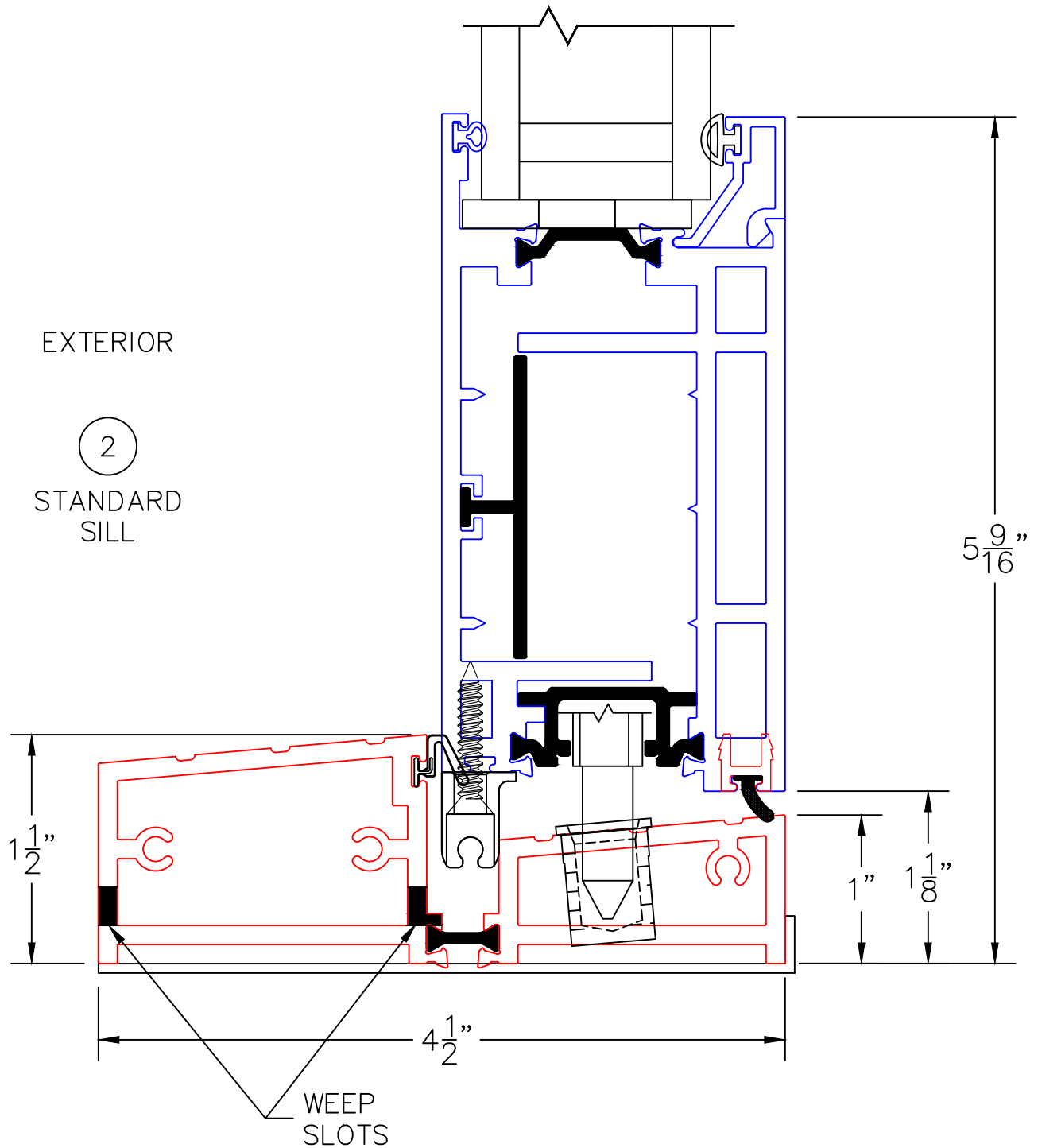
0 0.5 1
 (USE RULER TO SCALE DIMENSIONS IN INCHES)
SCALE: FULL

IN-SWING WIDE STYLE FIXED LITE DETAIL
 1" INSULATED GLAZING SHOWN

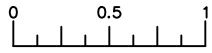


0 0.5 1
 (USE RULER TO SCALE DIMENSIONS IN INCHES)
SCALE: FULL

IN-SWING WIDE STYLE FIXED LITE DETAIL
 1-1/2" INSULATED GLAZING SHOWN

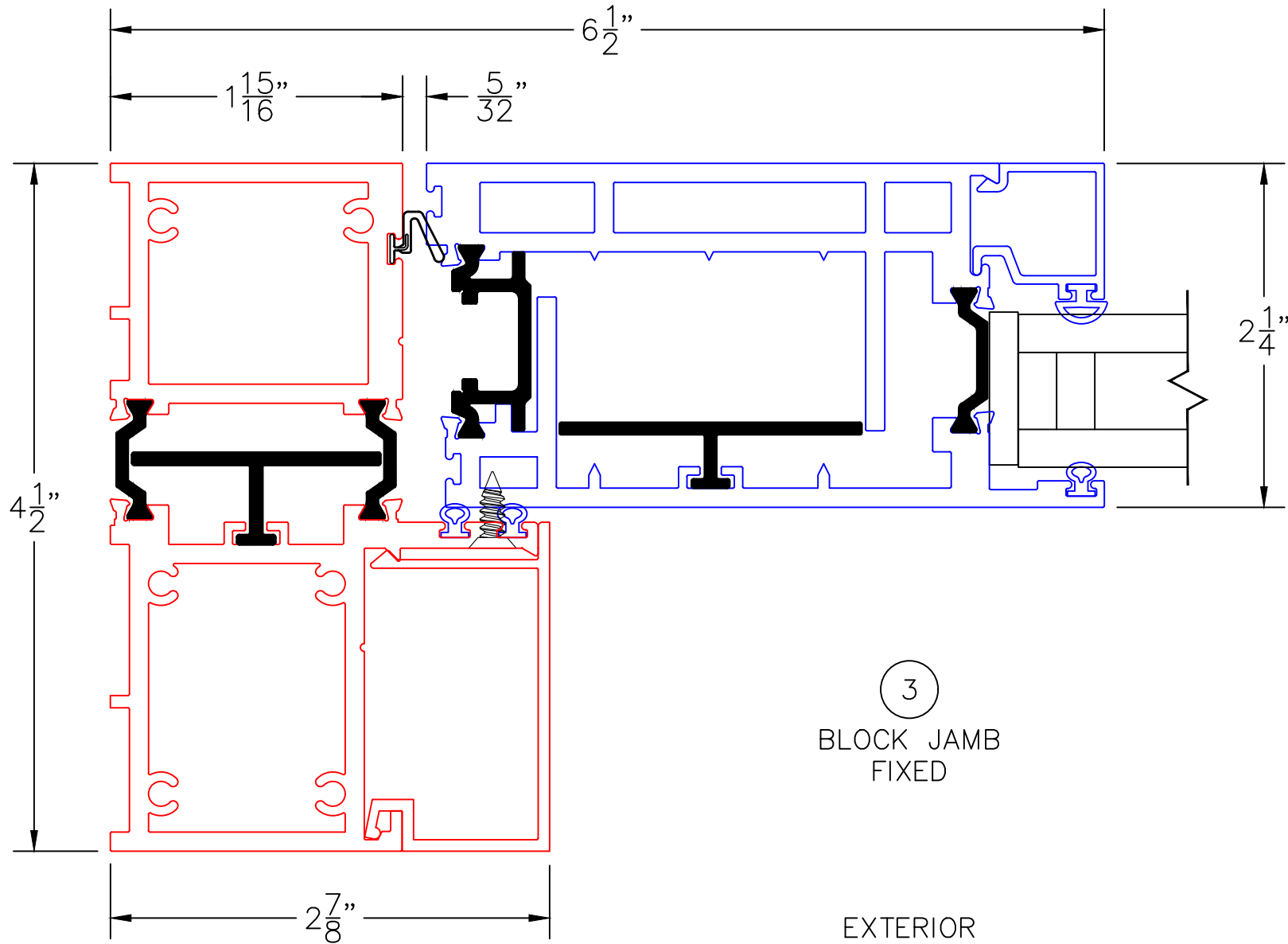


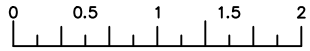
IN-SWING WIDE STYLE FIXED LITE DETAIL
1" INSULATED GLAZING SHOWN



(USE RULER TO SCALE DIMENSIONS IN INCHES)

SCALE: FULL

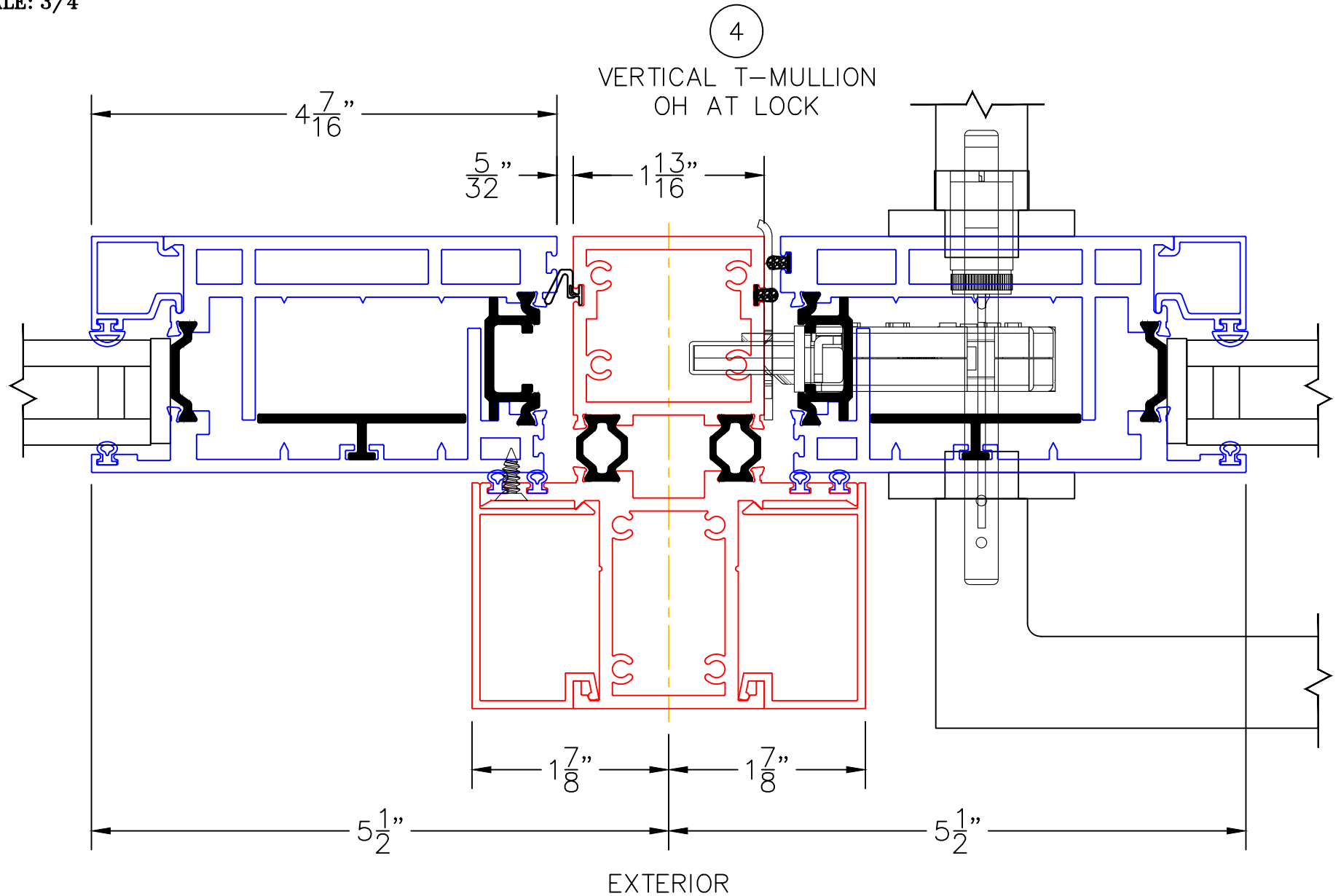




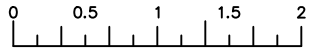
(USE RULER TO SCALE DIMENSIONS IN INCHES)

SCALE: 3/4

IN-SWING WIDE STYLE FIXED LITE DETAIL 1" INSULATED GLAZING SHOWN



IN-SWING WIDE STYLE FIXED LITE DETAIL
1" INSULATED & 9/16" SINGLE GLAZING SHOWN

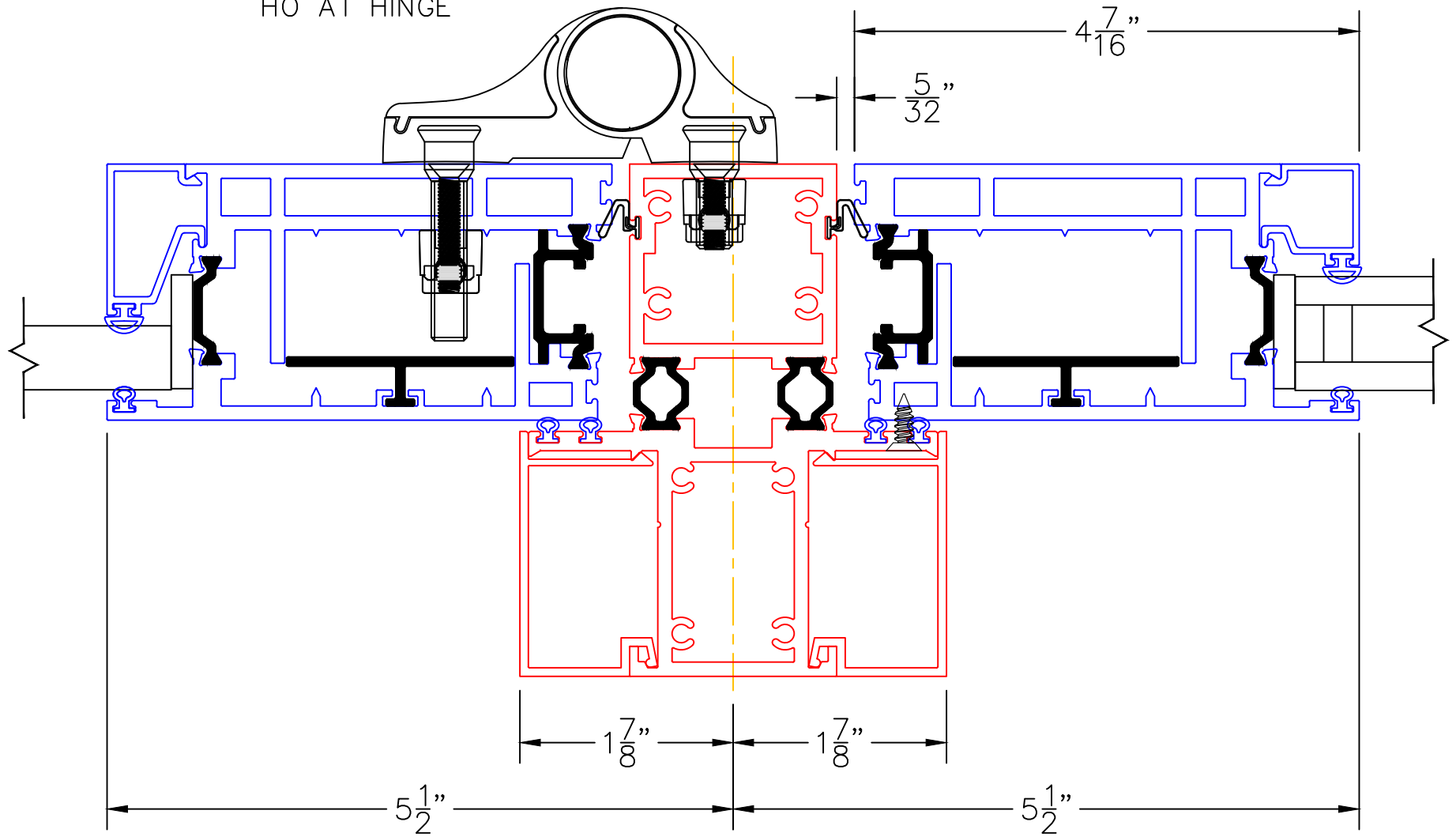


(USE RULER TO SCALE DIMENSIONS IN INCHES)

SCALE: 3/4

5

VERTICAL T-MULLION
HO AT HINGE



EXTERIOR