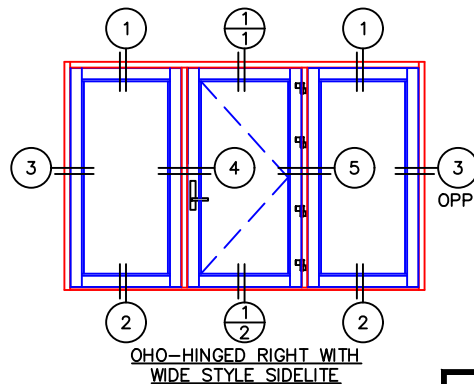
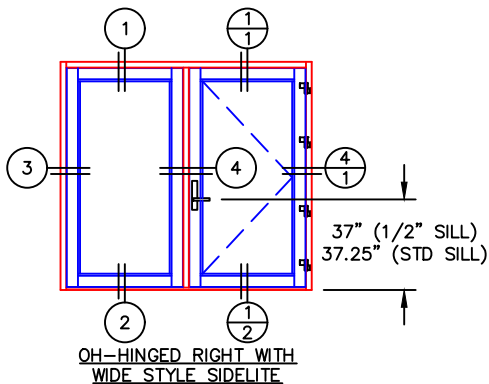
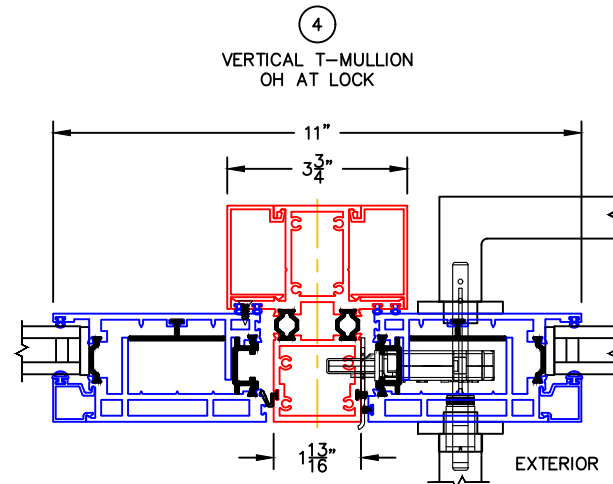
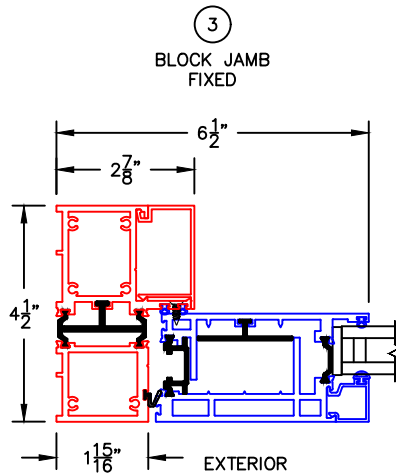
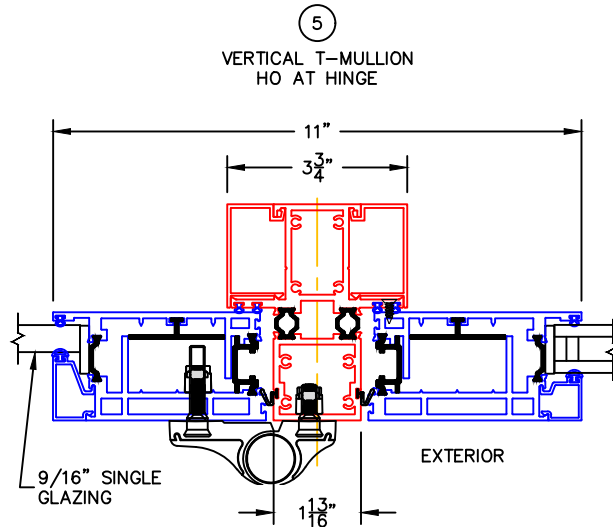
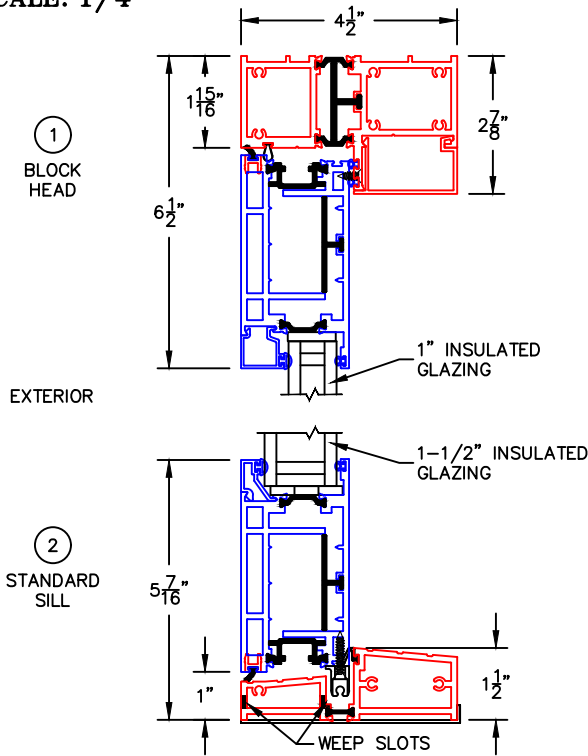


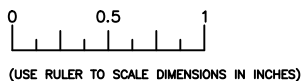
(USE RULER TO SCALE DIMENSIONS IN INCHES)

SCALE: 1/4"

WIDE STYLE FIXED LITE
1" & 1-1/2" INSULATED & 9/16" SINGLE
GLAZING SHOWN

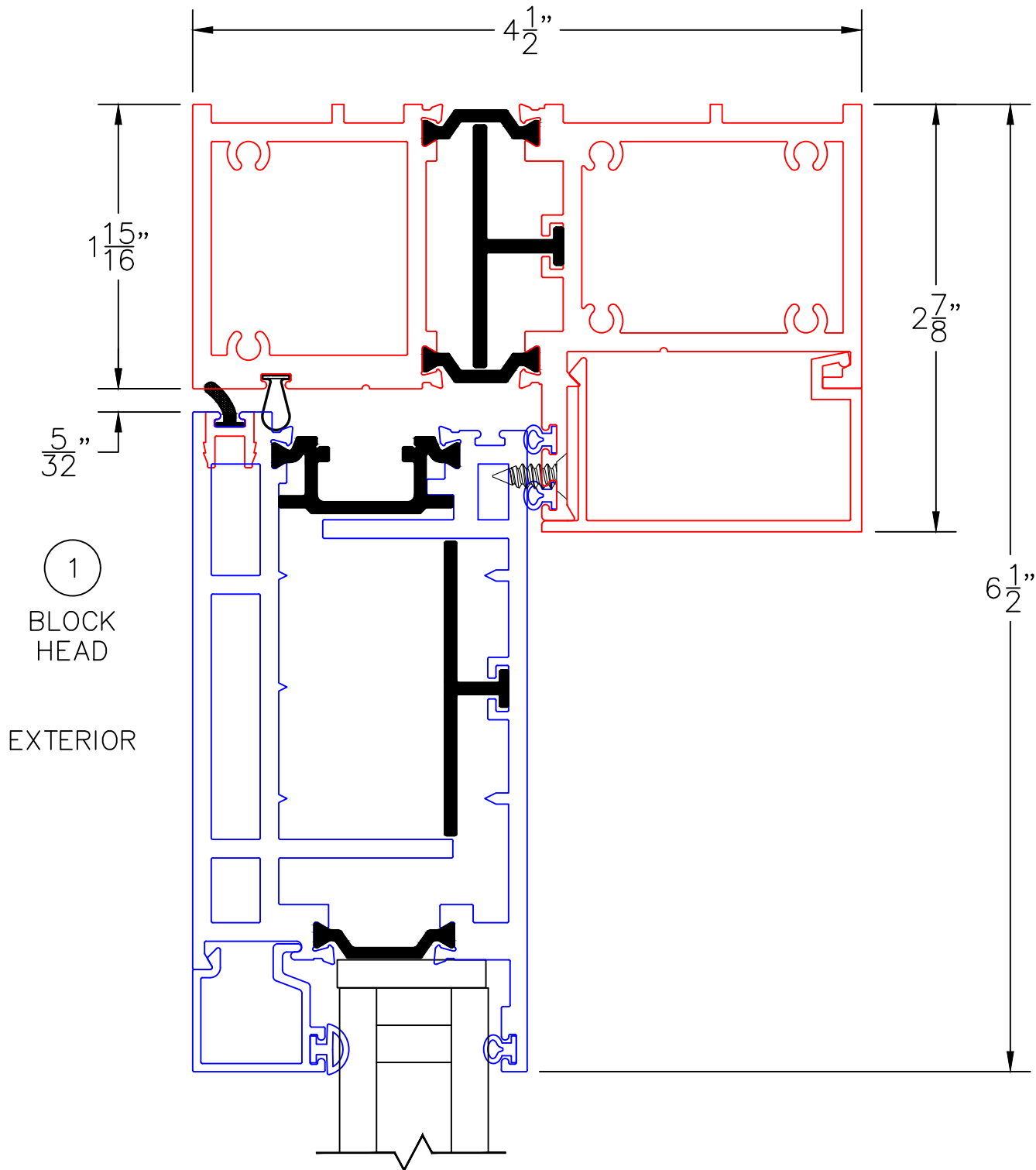


- GLASS PENETRATION: 9/16"
- 3/32" VENT FLUSH TOLERANCE IN CLOSED POSITION.
- EXTERIOR RATED PRODUCTS HAVE WEEP SLOTS ON HORIZONTAL SILLS.



SCALE: FULL

WIDE STYLE FIXED LITE DETAIL
1" INSULATED GLAZING SHOWN



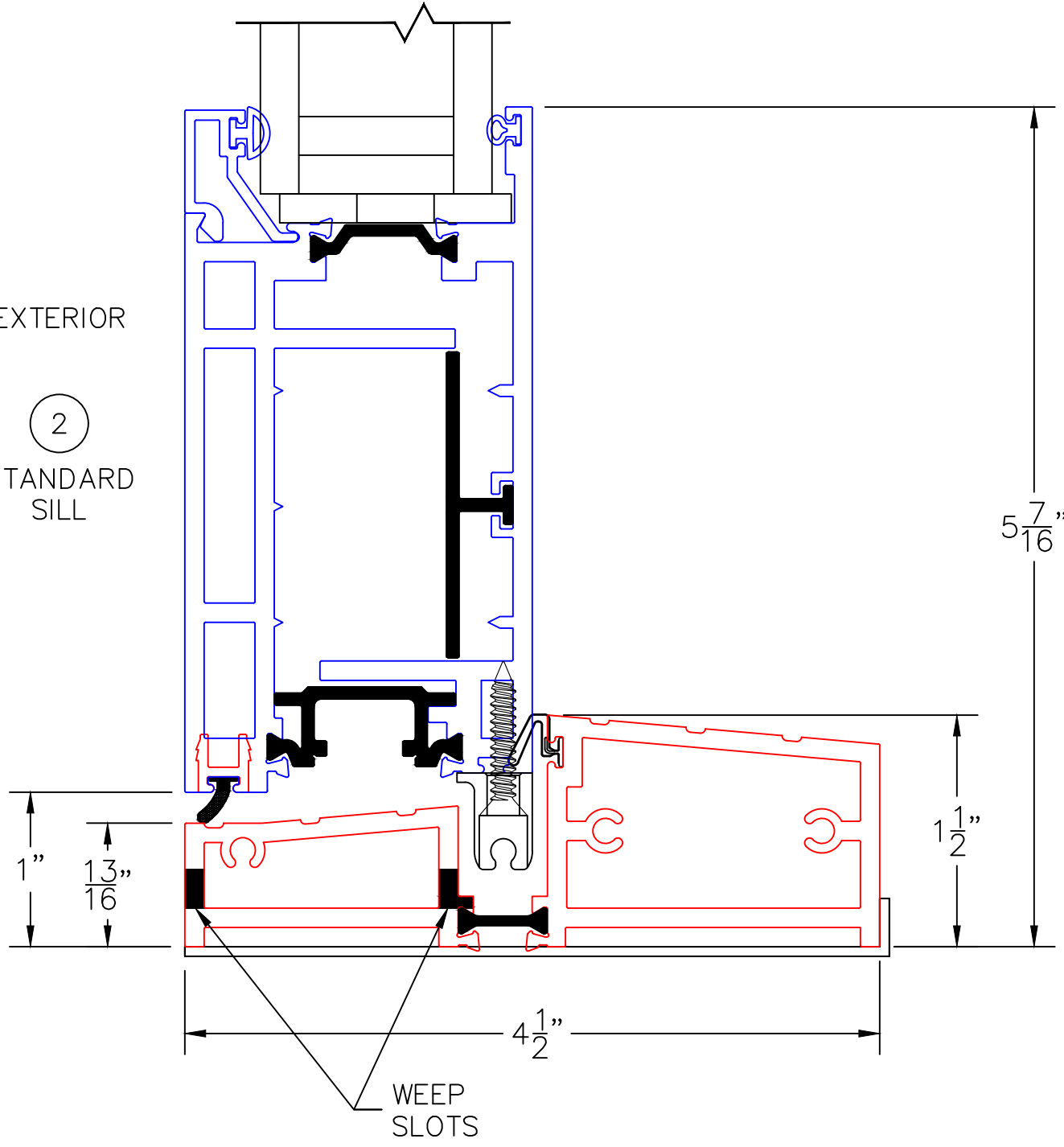
0 0.5 1
 (USE RULER TO SCALE DIMENSIONS IN INCHES)
SCALE: FULL

WIDE STYLE FIXED LITE DETAIL
 1-1/2" INSULATED GLAZING SHOWN

EXTERIOR

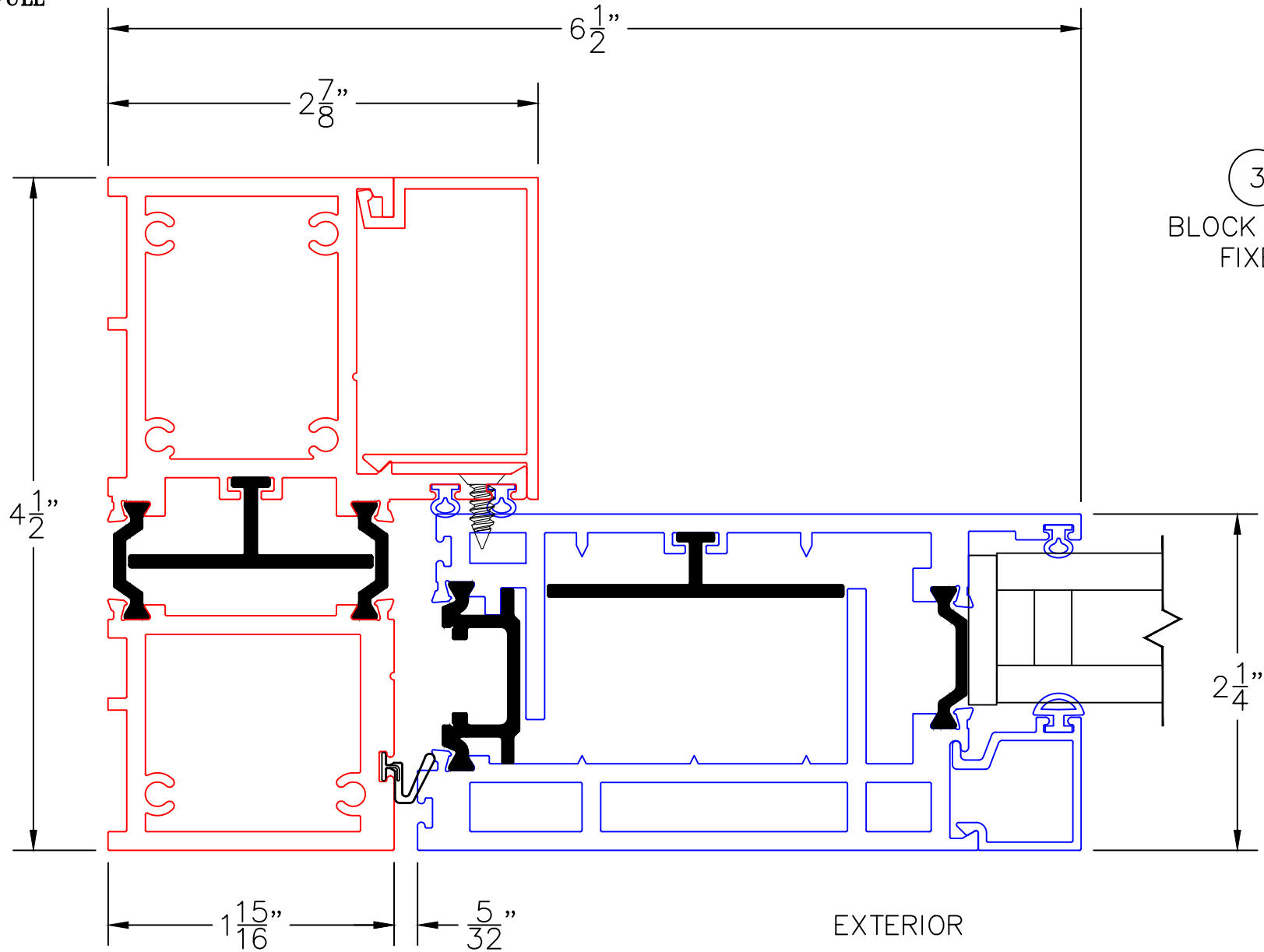
2

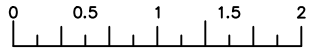
STANDARD
SILL



0 0.5 1
(USE RULER TO SCALE DIMENSIONS IN INCHES)
SCALE: FULL

WIDE STYLE FIXED LITE DETAIL
1" INSULATED GLAZING SHOWN





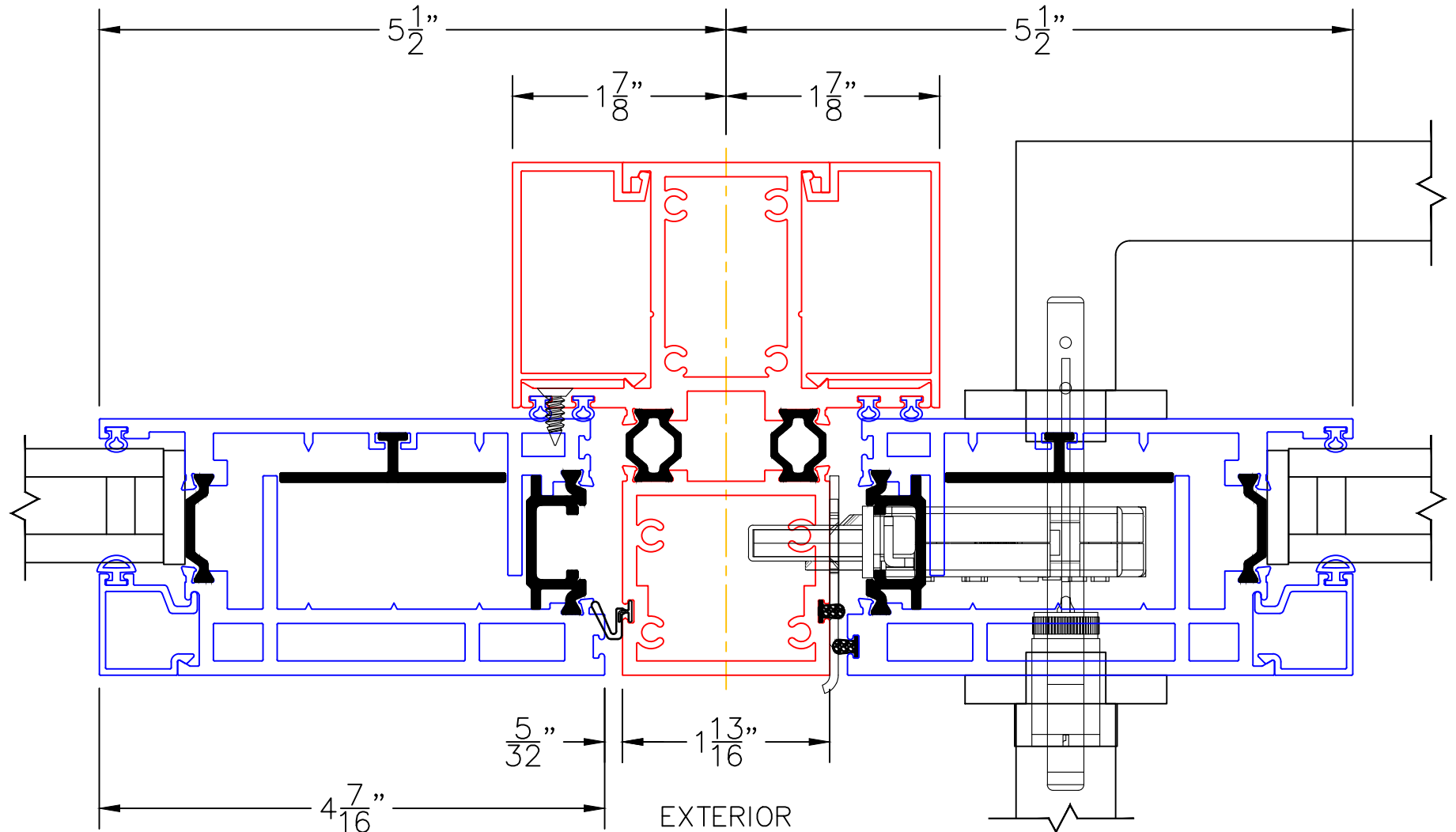
(USE RULER TO SCALE DIMENSIONS IN INCHES)

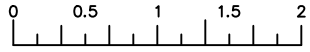
SCALE: 3/4

④

WIDE STYLE FIXED LITE DETAIL
1" INSULATED GLAZING SHOWN

VERTICAL T-MULLION
OH AT LOCK





(USE RULER TO SCALE DIMENSIONS IN INCHES)

SCALE: 3/4

5

WIDE STYLE FIXED LITE DETAIL
1" INSULATED & 9/16" SINGLE
GLAZING SHOWN

VERTICAL T-MULLION
HO AT HINGE

