

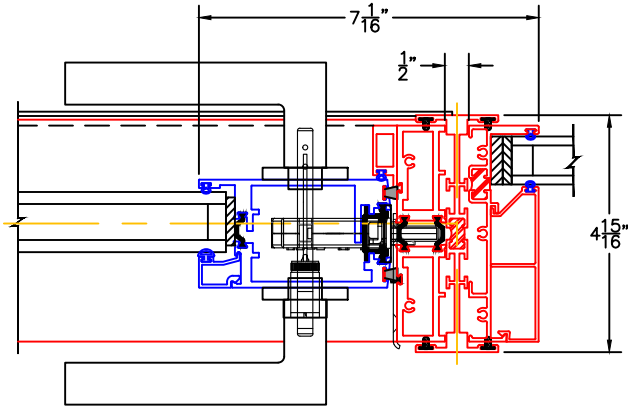
(USE RULER TO SCALE DIMENSIONS IN INCHES)

SCALE: 1/4"

EXTERNAL "I" THERMALLY BROKEN
JAMB MULLION DETAILS
SWING & PIVOT DOORS

1

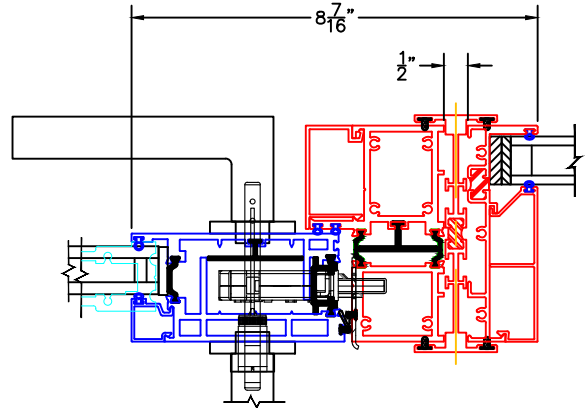
SERIES 4400-T
JAMB MULLION/
SERIES 3800-T



EXTERIOR

2

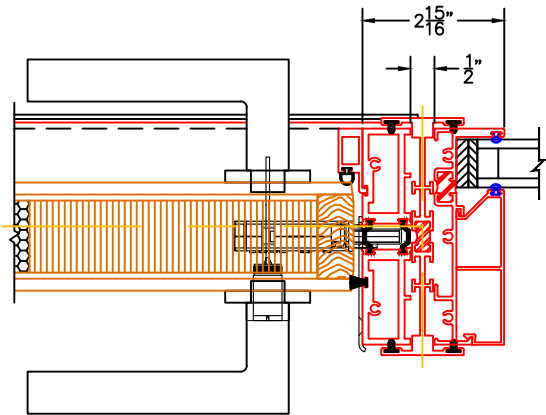
SERIES 3900-T/
JAMB MULLION/
SERIES 3800-T



EXTERIOR

1A

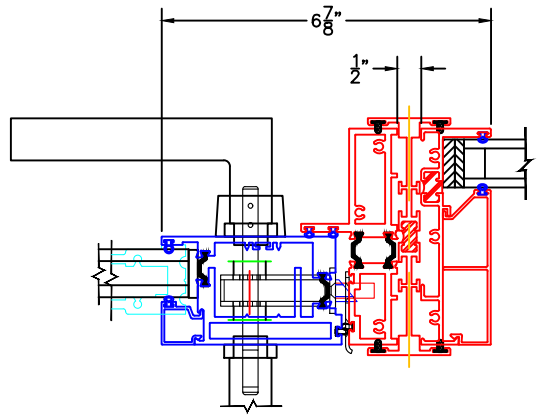
SERIES 4400-WOOD
JAMB MULLION/
SERIES 3800-T



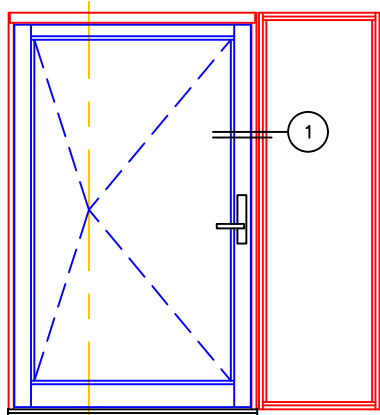
EXTERIOR

2A

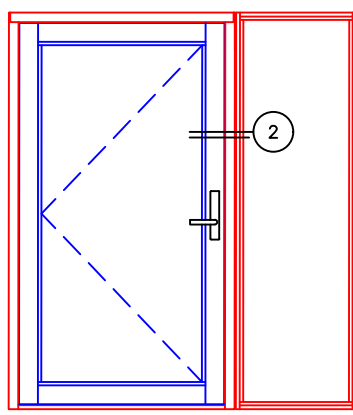
SERIES 3200-T/
JAMB MULLION/
SERIES 3800-T



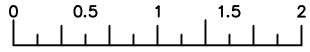
EXTERIOR



PIVOT DOOR MULLED TO 3800-T



SWING DOOR MULLED TO 3800-T



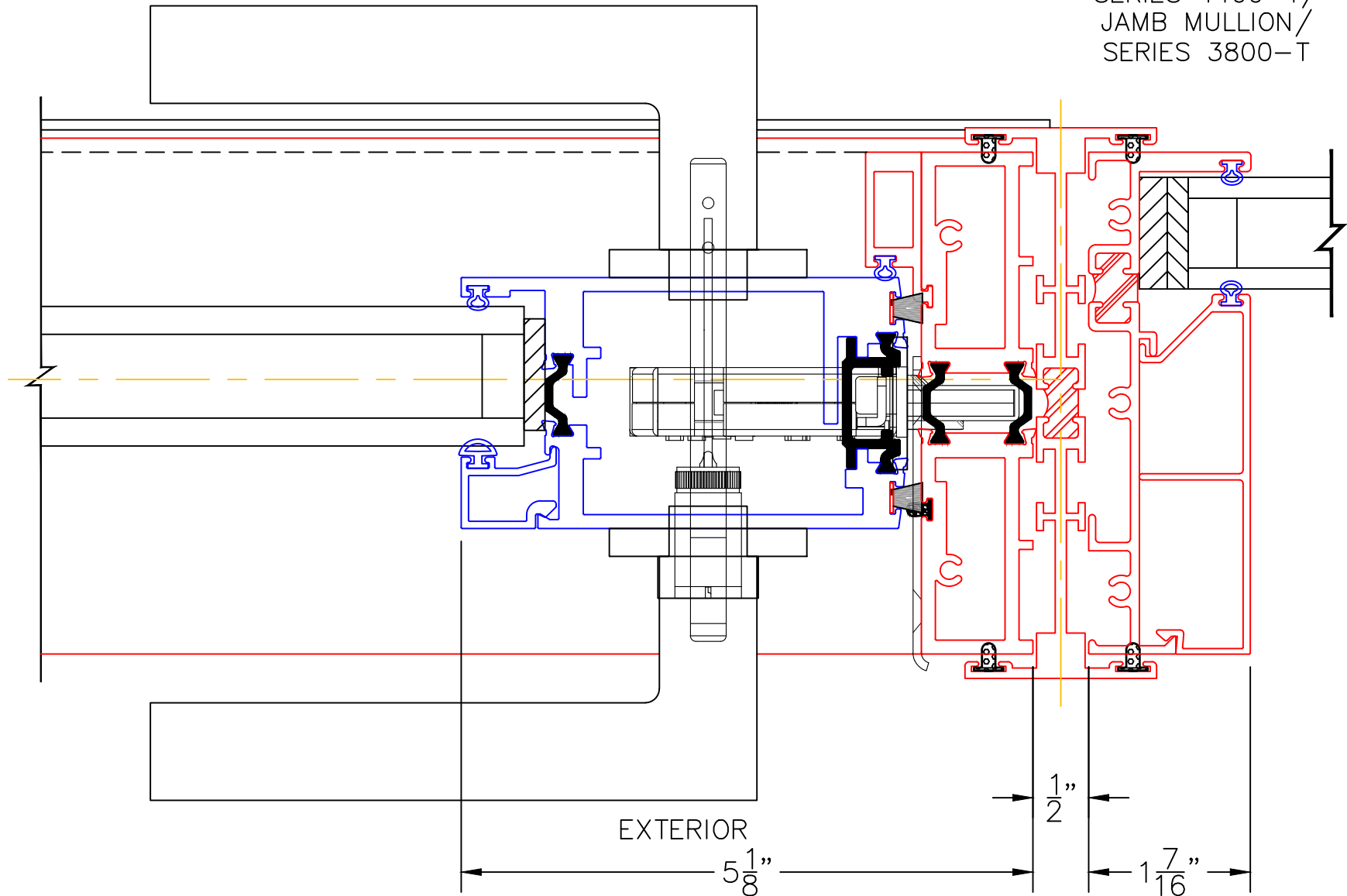
(USE RULER TO SCALE DIMENSIONS IN INCHES)

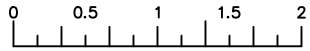
SCALE: 3/4

THERMALLY-BROKEN JAMB MULLION DETAILS SWING & PIVOT DOORS (1" INSULATED GLAZING)

1

SERIES 4400-T/
JAMB MULLION/
SERIES 3800-T





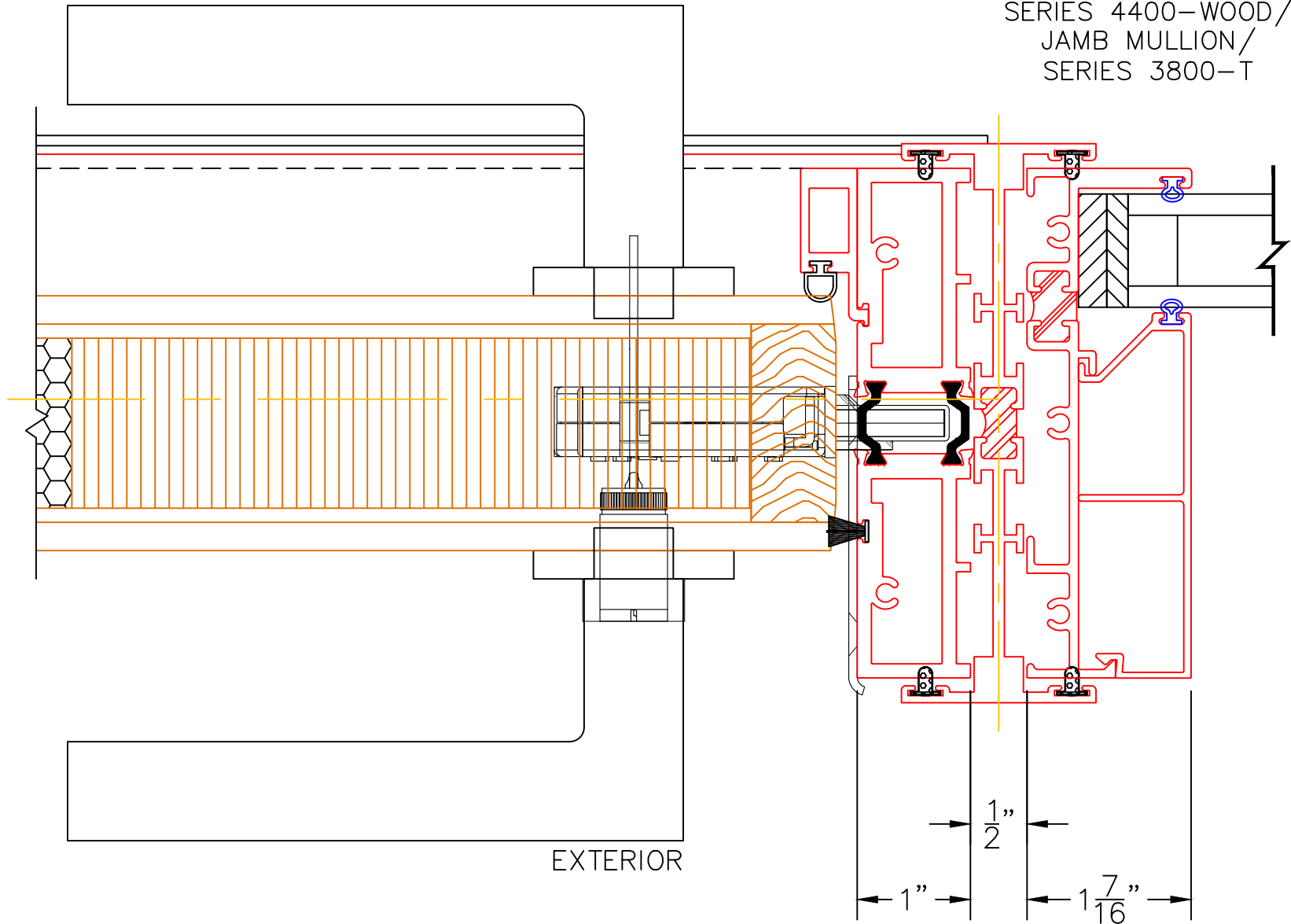
(USE RULER TO SCALE DIMENSIONS IN INCHES)

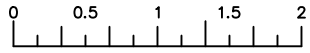
SCALE: 3/4

THERMALLY-BROKEN JAMB MULLION DETAILS SWING & PIVOT DOORS (1" INSULATED GLAZING)

1A

SERIES 4400-WOOD/
JAMB MULLION/
SERIES 3800-T





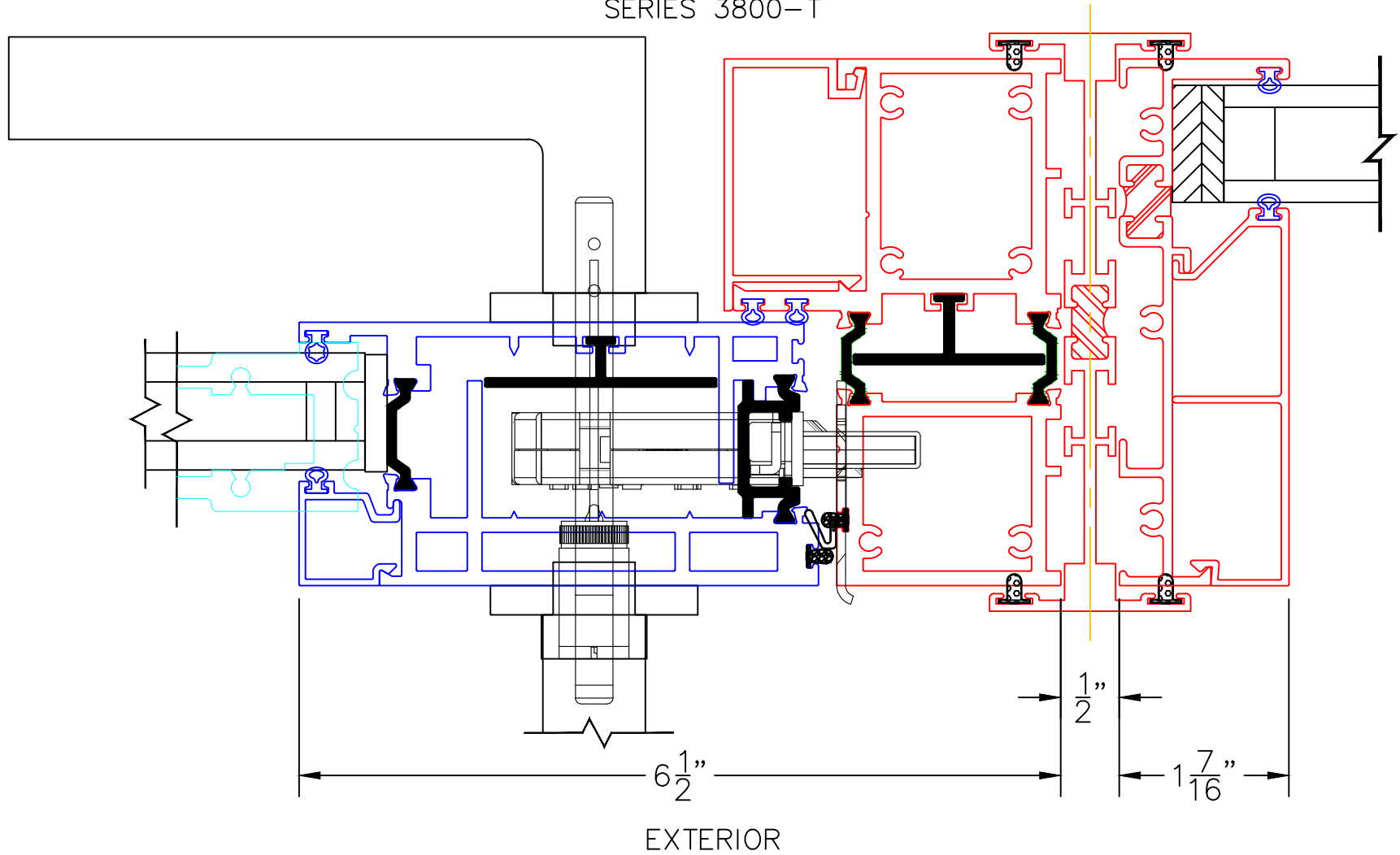
(USE RULER TO SCALE DIMENSIONS IN INCHES)

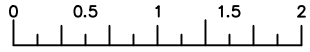
SCALE: 3/4

THERMALLY-BROKEN JAMB MULLION DETAILS SWING & PIVOT DOORS (1" INSULATED GLAZING)

2

SERIES 3900-T/
JAMB MULLION/
SERIES 3800-T





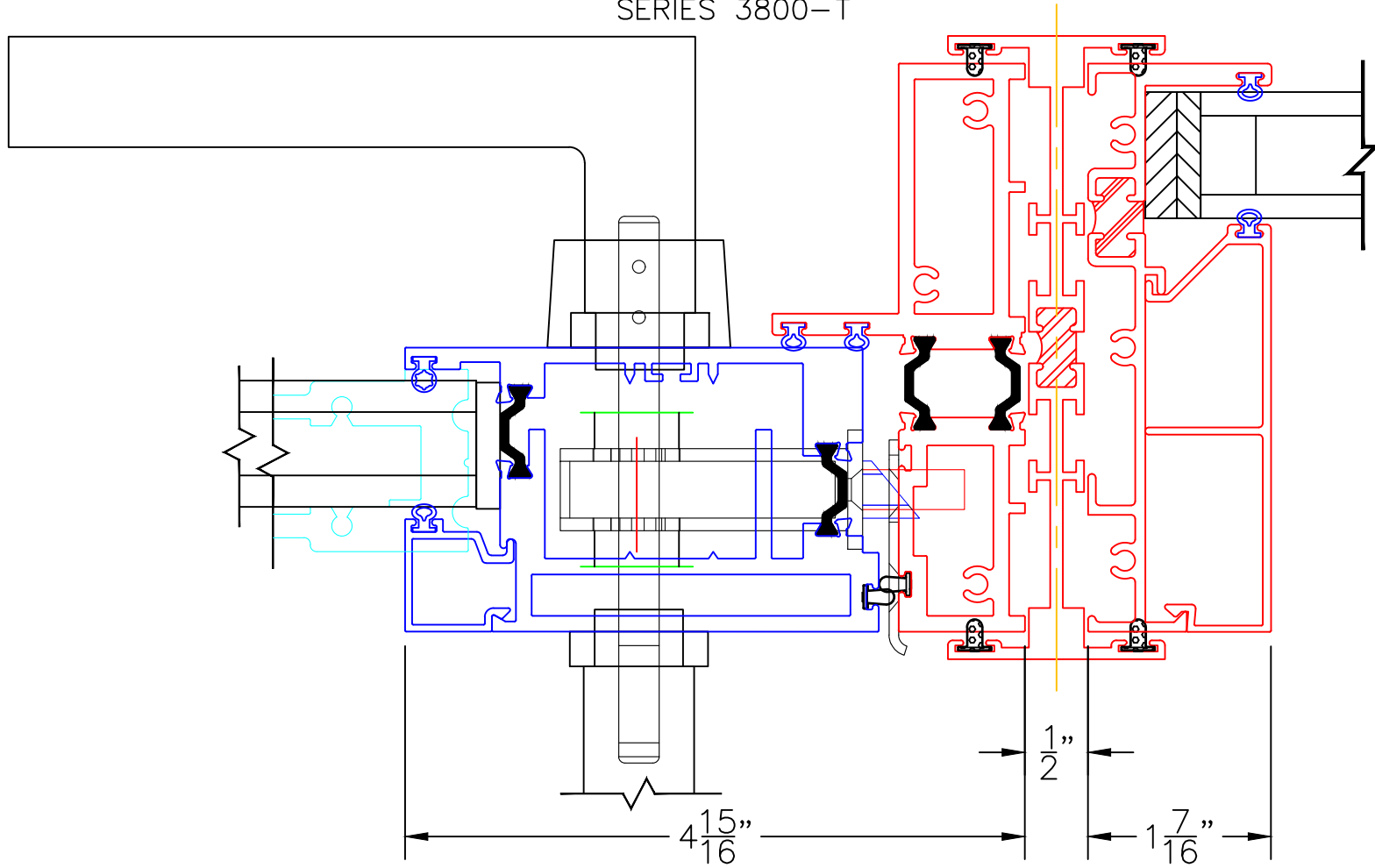
(USE RULER TO SCALE DIMENSIONS IN INCHES)

SCALE: 3/4

THERMALLY-BROKEN JAMB MULLION DETAILS SWING & PIVOT DOORS (1" INSULATED GLAZING)

2A

SERIES 3200-T/
JAMB MULLION/
SERIES 3800-T



EXTERIOR