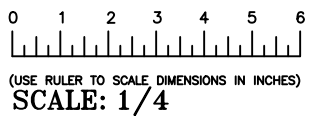
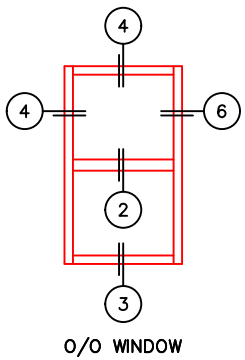
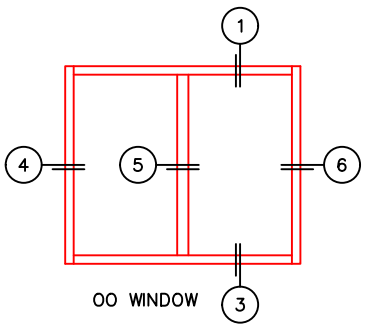
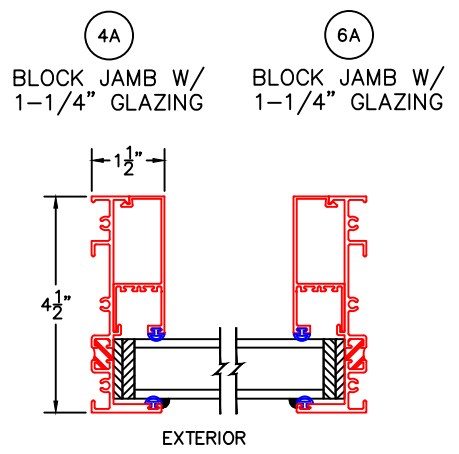
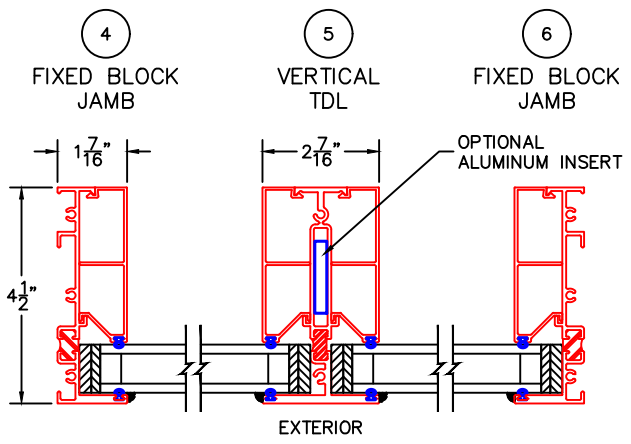
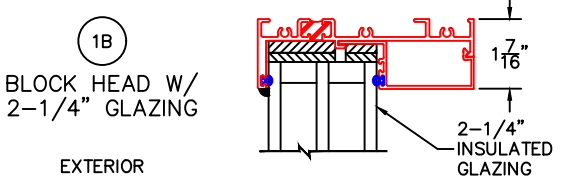
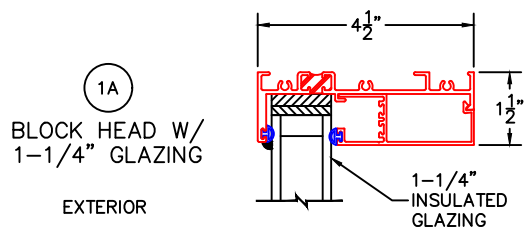
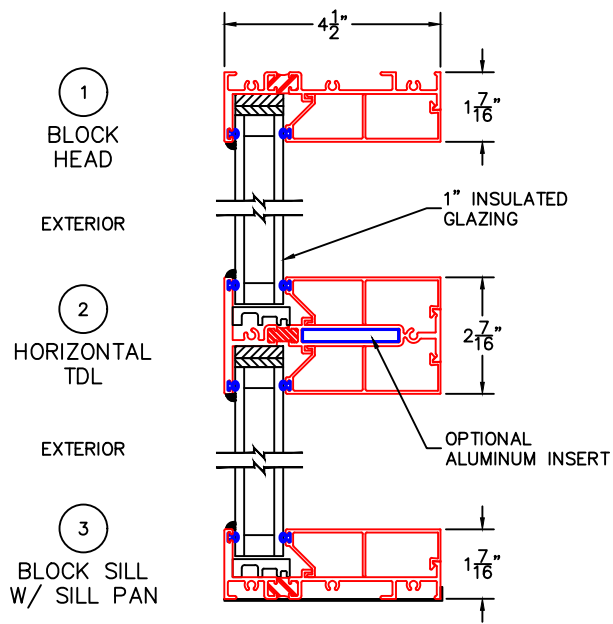


[Product Specifications](#)
[Click Here](#)

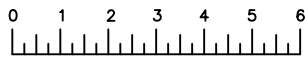


INSIDE GLAZED
FIXED WINDOW DETAILS
9/16", 1", 1-1/4", 1-1/2",
AND 2-1/4" GLAZING AVAILABLE



INSTALLER NOTE:
CONTINUOUS BEAD OF SEALANT
REQUIRED ON GLASS PERIMETER.

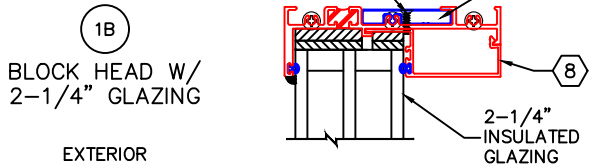
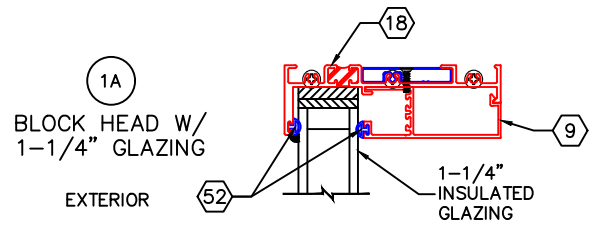
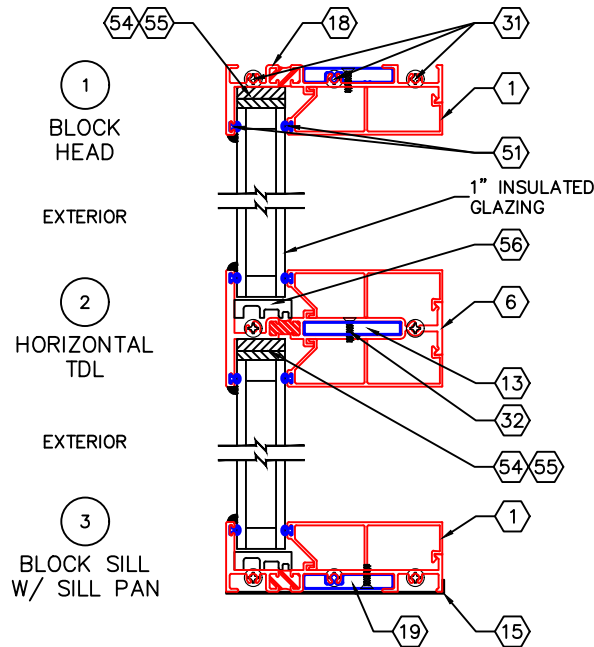
- GLASS PENETRATION: 9/16"
- EXTERIOR RATED PRODUCTS HAVE WEEP SLOTS ON HORIZONTAL SILLS.



(USE RULER TO SCALE DIMENSIONS IN INCHES)
SCALE: 1/4"

INSIDE GLAZED
FIXED WINDOW DETAILS
9/16", 1", 1-1/4", 1-1/2",
AND 2-1/4" GLAZING AVAILABLE

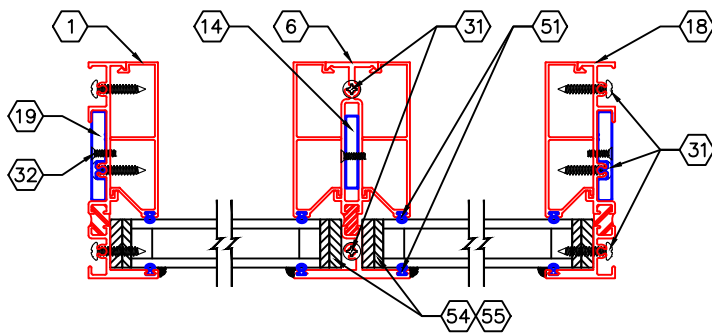
[Architecturals Click Here](#) [Parts List Click Here](#)



4
FIXED BLOCK JAMB

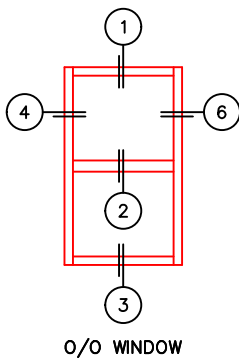
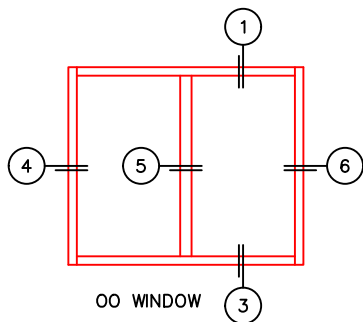
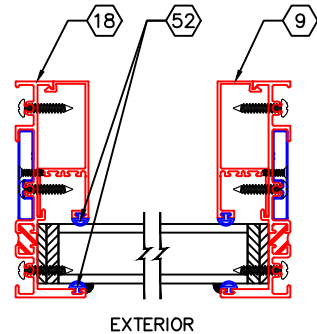
5
VERTICAL TDL

6
FIXED BLOCK JAMB



4A
BLOCK JAMB W/
1-1/4" GLAZING

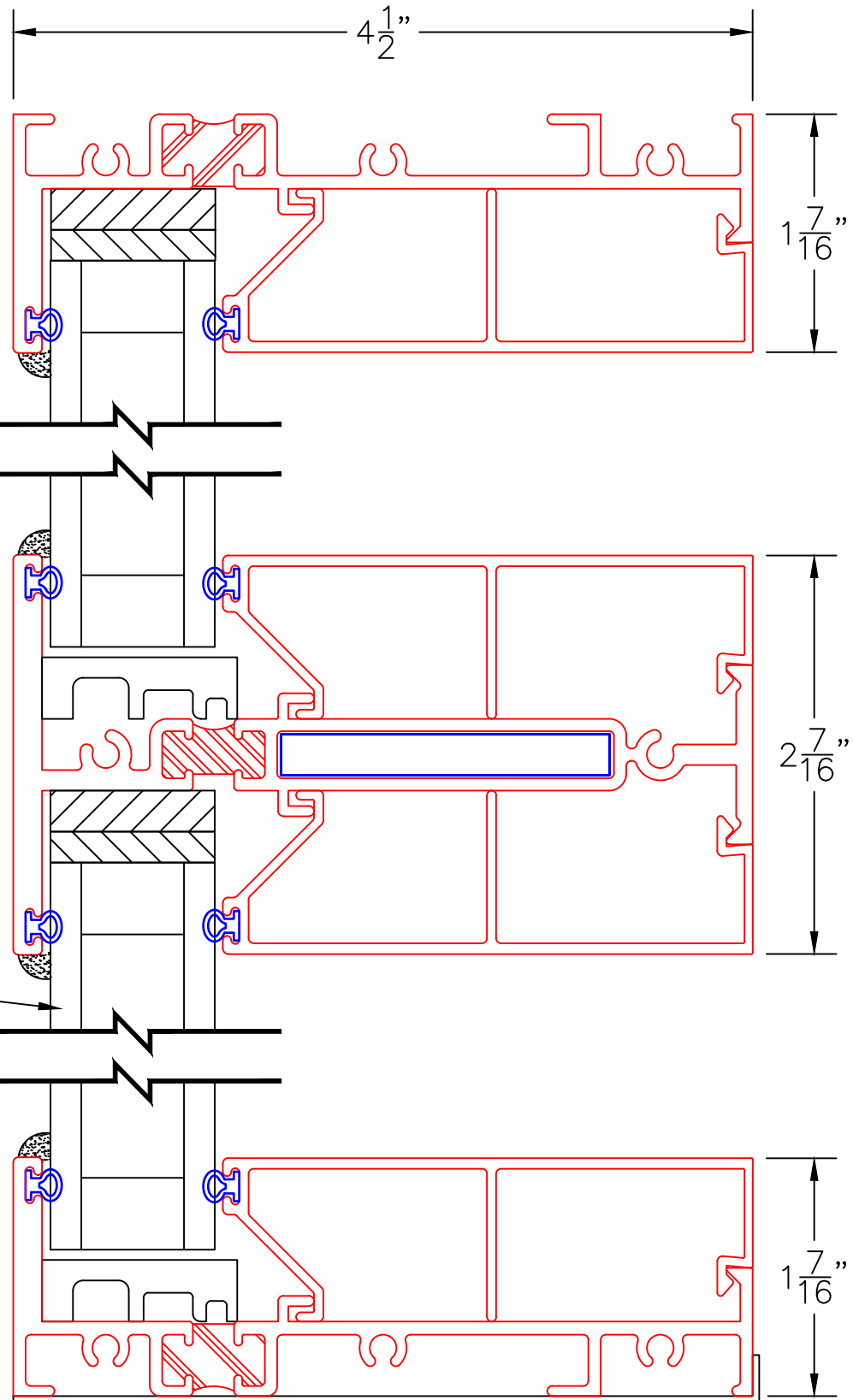
6A
BLOCK JAMB W/
1-1/4" GLAZING



0 0.5 1
(USE RULER TO SCALE DIMENSIONS IN INCHES)

SCALE: FULL

INSIDE GLAZED FIXED WINDOW DETAILS
1" INSULATED GLAZING SHOWN



1
BLOCK HEAD

EXTERIOR

2
HORIZONTAL TDL

1" INSULATED GLAZING

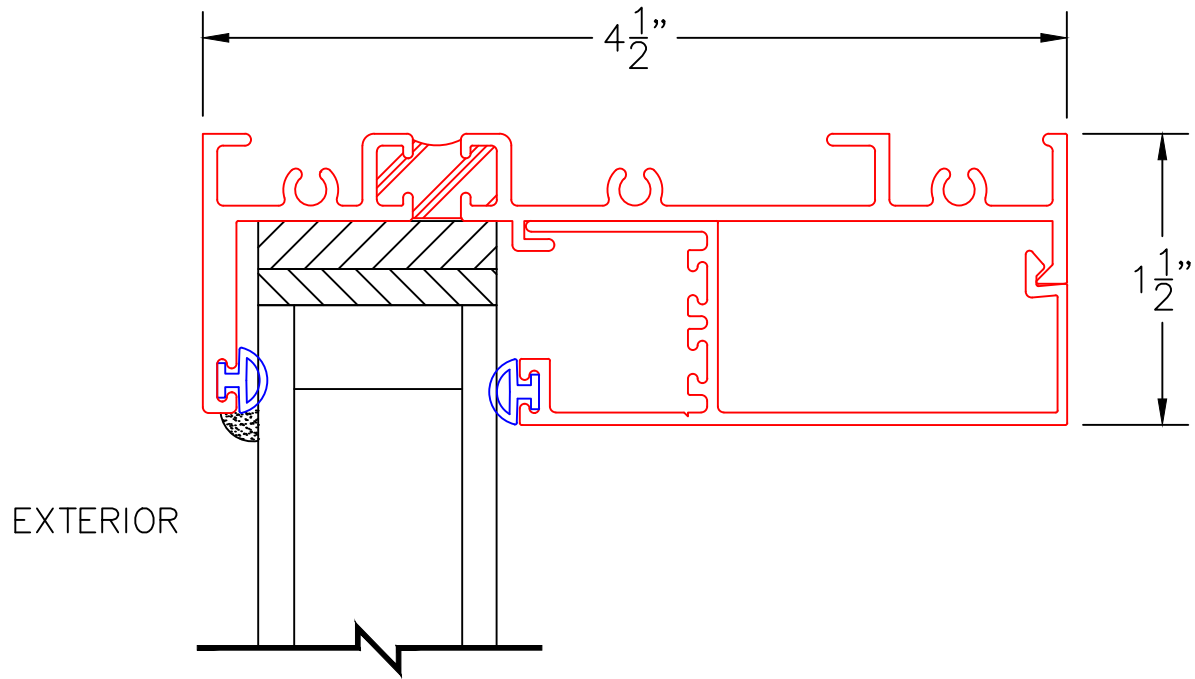
3
BLOCK SILL
W/ SILL PAN

0 0.5 1
(USE RULER TO SCALE DIMENSIONS IN INCHES)
SCALE: FULL

INSIDE GLAZED FIXED WINDOW DETAILS
1-1/4" INSULATED GLAZING SHOWN

1A

BLOCK HEAD
W/ 1-1/4" GLAZING

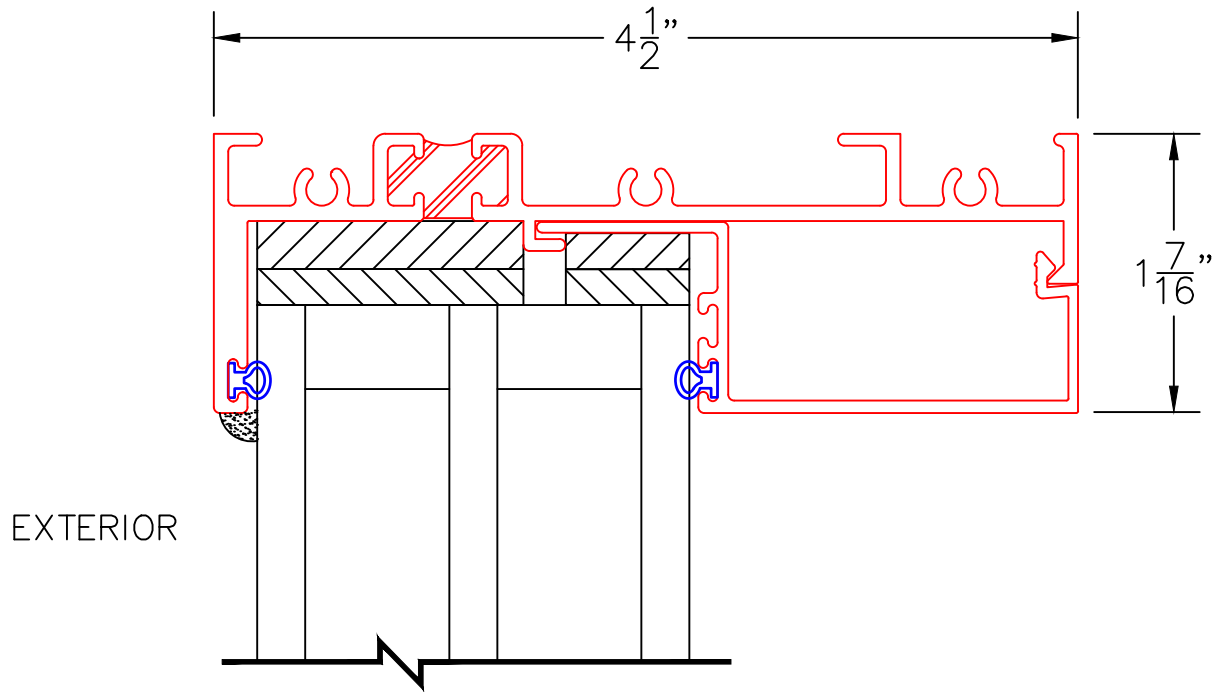


0 0.5 1
(USE RULER TO SCALE DIMENSIONS IN INCHES)
SCALE: FULL

INSIDE GLAZED FIXED WINDOW DETAILS
2-1/4" INSULATED GLAZING

1B

BLOCK HEAD
W/ 2-1/4" GLAZING



INSIDE GLAZED FIXED WINDOW DETAILS
1" INSULATED GLAZING SHOWN

0 0.5 1
(USE RULER TO SCALE DIMENSIONS IN INCHES)
SCALE: FULL

4

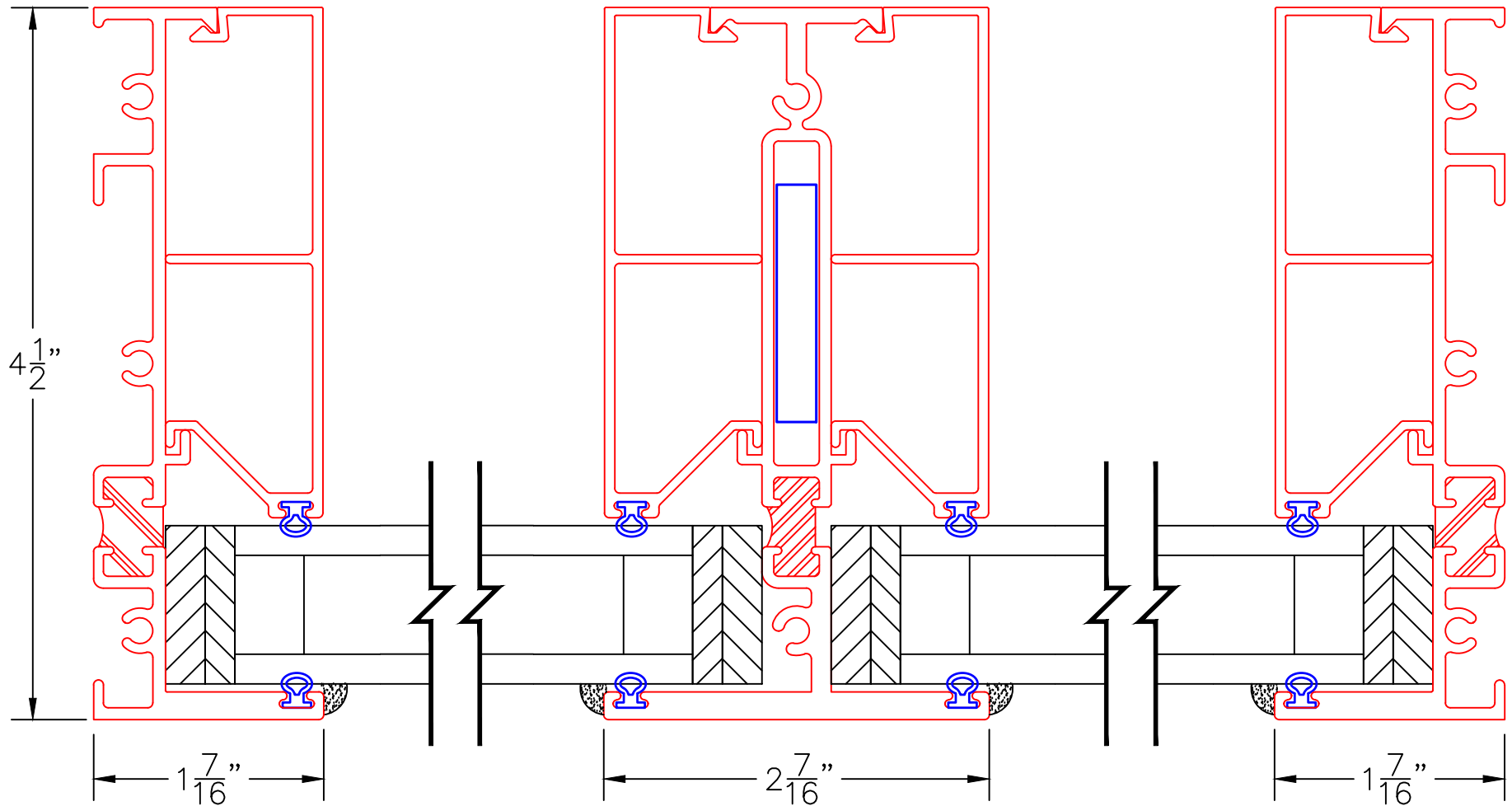
FIXED
BLOCK JAMB

5

VERTICAL
TDL

6

FIXED
BLOCK JAMB



EXTERIOR

INSIDE GLAZED FIXED WINDOW DETAILS 1-1/4" INSULATED GLAZING SHOWN

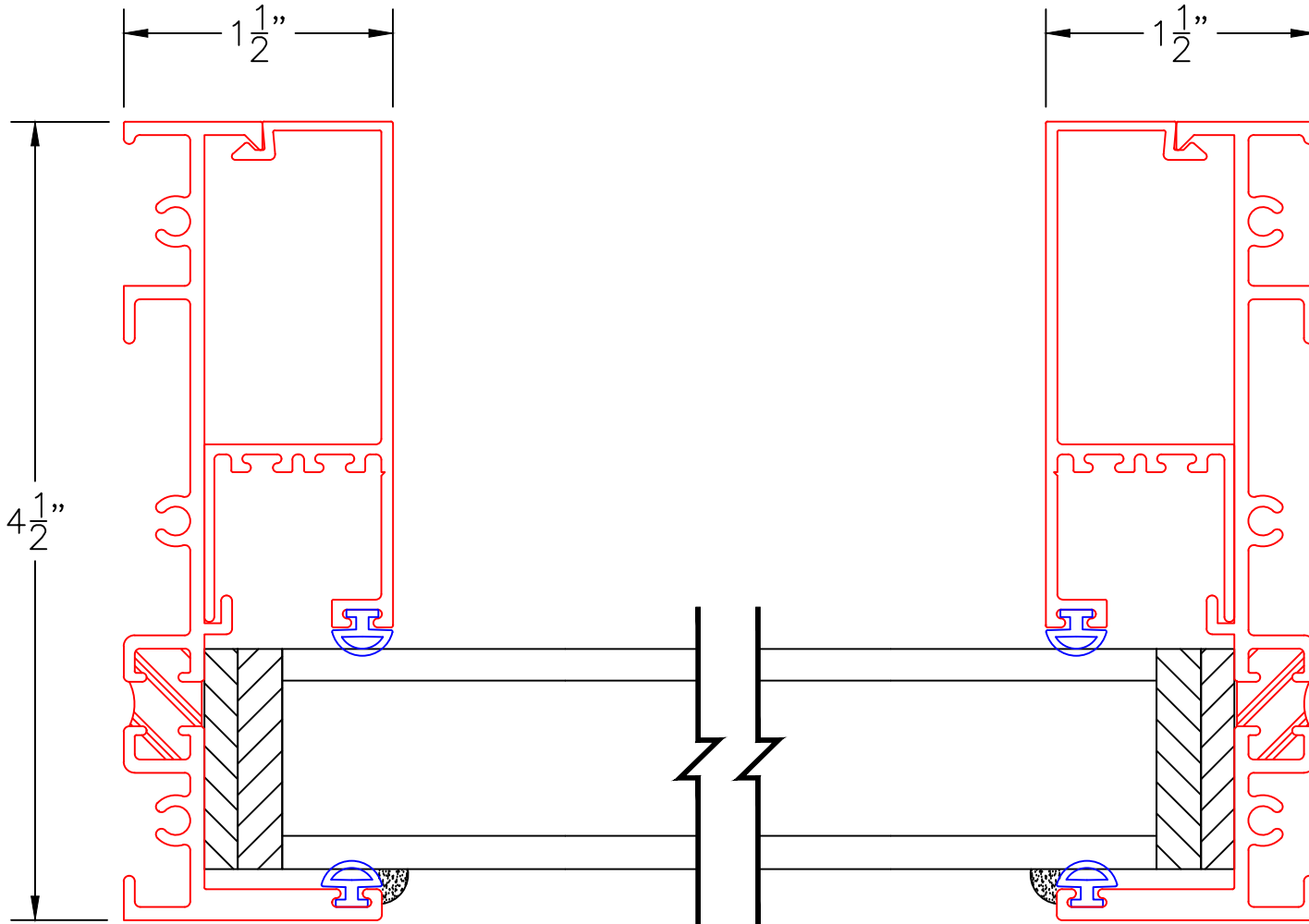
0 0.5 1
(USE RULER TO SCALE DIMENSIONS IN INCHES)
SCALE: FULL

4A

BLOCK JAMB
W/ 1-1/4" GLAZING

6A








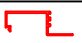

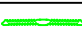

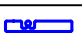
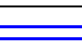
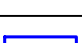



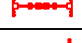










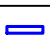

BLOCK JAMB
W/ 1-1/4" GLAZING



EXTERIOR

[Architecturals
Click Here](#)

[Product Specs
Click Here](#)

BILL OF MATERIALS			
ITEM#	PART#	DESCRIPTION	IMAGE
ALUMINUM EXTRUSIONS			
1	3801	1" GLAZING BEAD	
2	3802	1" BENDABLE GLAZING BEAD	
3	3803	1/4" GLAZING BEAD	
4	3804	9/16" GLAZING BEAD	
5	3805	4.5 FRAME	
6	3806	TDL	
7	3807	1-1/2" SERIES GLASS STOP	
8	3810	2-1/4" SERIES GLASS STOP	
9	3811	1 1/4" GLASS STOP	
10	3812	INTERSECTING MULLION KEY (INTERSECTING TDL)	
11	3814	APPLIED GRID INTERIOR	
12	3815	SHEAR BLOCK (FOR HP ONLY)	
13	FW1194	2.0" x 0.25" ALUMINUM BAR (INTERSECTING TDL HP ONLY)	
14	FW1195	1.5" x 0.25" ALUMINUM BAR (INTERSECTING TDL HP ONLY)	
15		SILL PAN, BLOCK FRAME	
16		SILL PAN, NAIL ON	
17	3082	THERMAL MULLION	
18	3809	4.5 BLOCK FRAME	
19	3816	1 1/4" TIERED GLASS STOP	
20	3817	90° CORNER BUTT GLAZED EXTERIOR CAP/COVER FOR 1.25" GLASS	
21	3818	90° CORNER BUTT GLAZED INTERIOR CAP/COVER FOR 1.25" GLASS	
HARDWARE			
31	VARY BY COLOR	SCREW NO 10, PPH, 1.00"	
32	VARY BY COLOR	SCREW NO 6, PFHU, .50"	
33	VARY BY COLOR	SCREW NO 8, PFH, 1 1/2"	
SEAL & SEALANT			
51	25199	BULB VINYL - MINI (ASTM C864)	
52	25031	BULB VINYL - LARGE (ASTM C864)	
53	19120	Q-LON WEATHERSTRIP (U 5212)	
54	18622	SETTING BLOCK 3/8 X 1 X 4	
55	18621	SETTING BLOCK 1/8 X 1 X 4	
56	23217	RIGID PVC SETTING BLOCK	
57	FW1237	1.5" SEAM CAP (USE WITH 25918)	