



# Testing Evaluation Laboratories, Inc.

2002 Wood Court Suite 1 – Plant City, FL 33563  
 Phone: 813-754-9887

## AAMA/WDMA/CSA 101/I.S.2/A440-08 Canadian Supplement A440S1-09

### TEST REPORT SUMMARY

Test Report Issued To:

**FLEETWOOD WINDOWS AND DOORS**  
 1 Fleetwood Way  
 Corona, CA 92879

### KONA 3800 Impact Resistant Aluminum Casement Windows

Title	Summary of Results		
	Specimen 1 (4 hinges)	Specimen 1E (5 hinges)	Specimen 2
Primary Product Designator	Class LC- PG65 1067 x 2135 (42 x 84) Type C	Class LC- PG65 1067 x 2135 (42 x 84) Type C	Class LC- PG65 1067 x 2135 (42 x 84) Type C
Design Pressure	+3112/-3112 Pa (+65.0/- 65.0 psf)	+3112/-4070 Pa (+65.0/- 85.0 psf)	+3112/-4070 Pa (+65.0/- 85.0 psf)
Operating Force	Pass	Pass	Pass
Air Infiltration	0.325 L/s/m <sup>2</sup> (0.065 scfm/ft <sup>2</sup> )	See Specimen 1 for Results	See Specimen 1 for Results
Air Infiltration/Exfiltration (A440S1-09)	Level A3: < 0.50 L/s•m <sup>2</sup>	See Specimen 1 for Results	See Specimen 1 for Results
Water Resistance	467 Pa (9.75 psf)	See Specimen 1 for Results	See Specimen 1 for Results
Structural Test Pressure	+4668/-4668 Pa (+97.5/- 97.5 psf)	+4668/-6105 Pa (+97.5/- 127.5 psf)	+4668/-6105 Pa (+97.5/- 127.5 psf)
Forced Entry	No Entry	No Entry	No Entry

Title	Summary of Results		
	Specimen 3	Specimen 4	Specimen 5
Primary Product Designator	Class LC- PG65 1067 x 1651 (42 x 65) Type C	Class LC- PG65 3175 x 2135 (125 x 84) Type C	Class LC- PG65 1067 x 2135 (42 x 84) Type C
Design Pressure	+3112/-4070 Pa (+65.0/- 85.0 psf)	+3112/-4070 Pa (+65.0/- 85.0 psf)	+3112/-3112 Pa (+65.0/- 65.0 psf)
Operating Force	Pass	Pass	Pass
Air Infiltration	See Specimen 1 for Results	0.090 L/s/m <sup>2</sup> (0.018 scfm/ft <sup>2</sup> )	See Specimen 1 for Results
Air Infiltration/Exfiltration (A440S1-09)	See Specimen 1 for Results	Level A3: < 0.50 L/s•m <sup>2</sup>	See Specimen 1 for Results
Water Resistance	See Specimen 1 for Results	467 Pa (9.75 psf)	See Specimen 1 for Results
Structural Test Pressure	+4668/-6105 Pa (+97.5/- 127.5 psf)	+4668/-6105 Pa (+97.5/- 127.5 psf)	+4668/-4668 Pa (+97.5/- 97.5 psf)
Forced Entry	No Entry	No Entry	No Entry

Title	Summary of Results		
	Specimen 6	Specimen 7	Specimen 8
Primary Product Designator	Class LC- PG65 1067 x 2135 (42 x 84) Type C	Class LC- PG65 1067 x 4572 (42 x 180) Type AP	Class LC- PG65 1067 x 4572 (42 x 180) Type AP
Design Pressure	+3112/-3112 Pa (+65.0/- 65.0 psf )	+3112/-3112 Pa (+65.0/- 65.0 psf )	+3112/-3112 Pa (+65.0/- 65.0 psf )
Operating Force	Pass	Pass	Pass
Air Infiltration	See Specimen 1 for Results	0.070 L/s/m <sup>2</sup> (0.014 scfm/ft <sup>2</sup> )	0.105 L/s/m <sup>2</sup> (0.021 scfm/ft <sup>2</sup> )
Air Infiltration/Exfiltration (A440S1-09)	See Specimen 1 for Results	Level A3: < 0.50 L/s•m <sup>2</sup>	Level A3: < 0.50 L/s•m <sup>2</sup>
Water Resistance	See Specimen 1 for Results	467 Pa (9.75 psf)	467 Pa (9.75 psf)
Structural Test Pressure	+4668/-4668 Pa (+97.5/- 97.5 psf )	+4668/-4668 Pa (+97.5/- 97.5 psf )	+4668/-4668 Pa (+97.5/- 97.5 psf )
Forced Entry	No Entry	No Entry	No Entry

Title	Summary of Results
	Specimen 12
Primary Product Designator	Class LC- PG75 1067 x 1829 (42 x 72) Type C
Design Pressure	+3112/-3112 Pa (+65.0/- 65.0 psf )
Operating Force	Pass
Air Infiltration	See Specimen 1 for Results
Air Infiltration/Exfiltration (A440S1-09)	See Specimen 1 for Results
Water Resistance	See Specimen 1 for Results
Structural Test Pressure	+4668/-4668 Pa (+97.5/- 97.5 psf )
Forced Entry	No Entry

Reference should be made to Report No. TEL 01990817 for complete test specimen description and data. For corresponding data regarding ASTM E1886 and ASTM E1996 reference should be made to Report No. TEL 01990818.

For Testing Evaluation Laboratories, Inc.



Vivian K. Wright,  
President



## Testing Evaluation Laboratories, Inc.

2002 Wood Court Suite 1 – Plant City, FL 33563

Phone: 813-754-9887

**AAMA/WDMA/CSA 101/I.S.2/A440-08**

**Canadian Supplement A440S1-09**

**Issued to:**

**FLEETWOOD WINDOWS AND DOORS**

**1 Fleetwood Way**

**Corona, CA 92879**

IAS Lab Certification Number: TL-299

Report No: TEL 01990817

Test Dates: October 3-5, 2013

Report Date: October 31, 2013

**Project Summary:** Testing Evaluation Laboratories, Inc. (TEL) was contracted by Fleetwood Windows and Doors to perform tests on the Kona 3800 Casement and Awning Windows at TEL's Plant City, FL test facility.

*Please see individual specimen results for information regarding the Performance Grade successfully achieved by each specimen.*

Test specimen descriptions and results are reported herein.

**Test Specifications:** The test specimens were evaluated in accordance with the following:

***AAMA/WDMA/CSA 101/I.S.2/A440-08 and Canadian Supplement A440S1-09***

***Standard Specification for Windows, Doors and Unit Skylights***

**Test Specimen Description:**

**Series / Model:** Kona 3800 Casement and Awning Windows

**Type:** Aluminum Casement and Awning Windows

**Overall Size:** 1067 mm x 2135 mm (42.00" x 84.00") – Specimens 1, 1e, 2, 5 and 6 – (X)  
1067 mm x 1651 mm (42.00" x 65.00") – Specimen 3 – (X)  
3175 mm x 2135 mm (125.00" x 84.00") - Specimen 4 – (XXX)  
1067 mm x 4572 mm (42.00" x 180.00") – Specimen 7 - (X/O/X)  
1067 mm x 4572 mm (42.00" x 180.00") – Specimen 8 - (O/X/O)  
1067 mm x 1829 mm (42.00" x 72.00") – Specimen 12 – (X)

**Daylight Opening:** 840 mm x 1908 mm (33.063" x 75.13") – Specimens 1, 1e, 2, 5 and 6 – (X)  
854 mm x 1435 mm (33.625" x 56.500") – Specimen 3 – (X)  
835 mm x 1907 mm (32.88" x 75.06") - Specimen 4 – (XXX) – All panels  
842 mm x 962 mm (33.13" x 37.875") – Specimen 7 - Top Active Panel (X)  
992 mm x 2073 mm (39.062" x 81.625") – Specimen 7 - Center Fixed Panel (O)  
842 mm x 1051 mm (33.13" x 41.375") – Specimen 7 - Bottom Active Panel (X)

**Test Specimen Description: Continued**

**Daylight Opening:** 992 mm x 237 mm (39.062" x 9.312") – Specimen 8 - Top Fixed Panel (O)  
842 mm x 1932 mm (33.13" x 76.062") – Specimen 8 - Center Active Panel (X)  
992 mm x 2073 mm (39.062" x 81.625") – Specimen 8 - Bottom Fixed Panel (O)  
835 mm x 1424 mm (32.88" x 56.06") – Specimen 12 – (X)

**Glazing Detail:** See attached drawing numbers L-7031, L-7032, L-7032A and L-7033  
For glazing details.

**Frame Material:** Aluminum

**Finish:** Mill Finish

**For Tested Elevation, Vertical Cross Sections, Horizontal Cross Sections, Components, Frame Anchoring, Glazing Detail and Bill of Materials See Attached Drawing numbers L-7031, L-7032, L-7032A and L-7033.**

Test Results: Specimen 1 – Class LC-PG65 1067 x 2134 (42 x 84) Type C - Aluminum Casement Window (X)  
(Tested with four hinges)

The test results are tabulated as follows:

<u>Paragraph</u>	<u>Title of Test – Test Method</u>	<u>Results</u>	<u>Allowed</u>
5.3.1	Operating Force per ASTM E2068-00		
	Initiate Motion	18 N (4.1 lbf)	Report Only
	Maintain Motion	13 N (3.0 lbf)	45 N (10.00 lbf)
	Latches	53 N (12.0 lbf)	100 N (22.5 lbf)
5.3.2.1	Air Infiltration per ASTM E283 @ 75 Pa (1.57 psf)	0.325 L/s/m <sup>2</sup> (0.065 SCFM/FT <sup>2</sup> )	1.5 L/s/m <sup>2</sup> (0.30 SCFM/FT <sup>2</sup> )
	Air Infiltration per ASTM E283 @ 299 Pa (6.24 psf)	0.790 L/s/m <sup>2</sup> (0.158 SCFM/FT <sup>2</sup> )	1.5 L/s/m <sup>2</sup> (0.30 SCFM/FT <sup>2</sup> )
	Air Exfiltration per ASTM E283 @ 75 Pa (1.57 psf)	0.100 L/s/m <sup>2</sup> (0.020 SCFM/FT <sup>2</sup> )	1.5 L/s/m <sup>2</sup> (0.30 SCFM/FT <sup>2</sup> )
	Air Exfiltration per ASTM E283 @ 299 Pa (6.24 psf)	0.820 L/s/m <sup>2</sup> (0.164 SCFM/FT <sup>2</sup> )	1.5 L/s/m <sup>2</sup> (0.30 SCFM/FT <sup>2</sup> )
Note #1:	<i>The tested specimen meets (or exceeds) the performance levels specified in AAMA/WDMA/CSA 101/I.S.2/A440-08 (A440S1-09) for air infiltration/exfiltration.</i>		
5.3.3.2	Water Resistance per ASTM E547		See Note #2
5.3.4.2	Uniform Load Structural per ASTM E330		See Note #2
Note #2:	<i>The client opted to start at a pressure higher than the minimum required. Those results are listed under "Optional Performance".</i>		
5.3.5	Forced Entry resistance per ASTM F588 Type B                      Grade 10		
	Disassembly Test	No Entry	No Entry
	Test B1 – B3	No Entry	No Entry
	Sash/Panel Manipulation Test	No Entry	No Entry
	Lock Manipulation Test	No Entry	No Entry
5.3.6.4.3	Sash Vertical Deflection Test 270N (60 lbf)	(10.693 mm (0.421"))	20.3 mm (0.80") Max
5.3.6.6.2	Distributed Load Test 300 Pa (6.2 psf)	No Damage	No Damage
<b>Optional Performance</b>			
4.3.2.1	Water Resistance per ASTM E547 (without insect screen) 467 Pa (9.75 psf)	No Leakage	No Leakage

Specimen 1: Optional Performance – Continued

4.4.2.6 Optional Performance

Range	Time (seconds)	Load Pa (psf)	Location	Deflection mm (in.)	Allowable mm (in.)
Half Test Positive	30	1556 (32.50)			
Test Positive	30	3112 (65.00)	1	0.584 (0.023)	See Note #3
Half Test Negative	30	1556 (32.50)			
Test Negative	30	3112 (65.00)	1	0.711 (0.028)	See Note #3

**Note #3:** *The deflections reported are not limited by AAMA/WDMA/CSA 101/I.S.2/A440-08 (A440S1-09) for this product designation. The deflection data is recorded in this report for special code compliance and information only. See Note #4 for deflection locations.*

Range	Time (seconds)	Load Pa (psf)	Location	Deflection mm(in.)	Set mm(in.)	Allowable mm(in.)
Half Proof Positive	10	2334 (48.75)				
Proof Positive	30	4668 (97.50)	1	0.813 (0.032)	0.254 (0.010)	3.810 (0.150)
Half Proof Negative	10	2334 (48.75)				
Proof Negative	30	4668 (97.50)	1	0.838 (0.033)	0.102 (0.004)	3.810 (0.150)

**Note #4:** *Deflection/Set for Location 1 measured at center of top rail.*

Test Results: Specimen 1E – Class LC-PG65 1067 x 2134 (42 x 84) Type C - Aluminum Casement Window  
(Tested with Five Hinges)

The test results are tabulated as follows:

<u>Paragraph</u>	<u>Title of Test – Test Method</u>	<u>Results</u>	<u>Allowed</u>
5.3.1	Operating Force per ASTM E2068-00	**	
5.3.2.1	Air Infiltration per ASTM E283	**	
Note #1:	<i>The tested specimen meets (or exceeds) the performance levels specified in AAMA/WDMA/CSA 101/I.S.2/A440-08 (A440S1-09) for air infiltration/exfiltration.</i>		
5.3.3.2	Water Resistance per ASTM E547		See Note #2
5.3.4.2	Uniform Load Structural per ASTM E330		See Note #2
Note #2:	<i>The client opted to start at a pressure higher than the minimum required. Those results are listed under "Optional Performance".</i>		
5.3.5	Forced Entry resistance per ASTM F588	**	
5.3.6.4.3	Sash Vertical Deflection Test	**	
5.3.6.6.2	Distributed Load Test	**	

Optional Performance

4.3.2.1	Water Resistance per ASTM E547	**	
---------	--------------------------------	----	--

**\*\* Please see Specimen 1 of this report for these test results.**

4.4.2.6 Optional Performance

Range	Time (seconds)	Load Pa (psf)	Location	Deflection mm (in.)	Allowable mm (in.)
Half Test Positive	10	1556 (32.50)			
Test Positive	10	3112 (65.00)	1	0.660 (0.026)	See Note #3
Half Test Negative	10	2035 (42.50)			
Test Negative	10	4070 (85.00)	1	1.041 (0.041)	See Note #3

Note #3: *The deflections reported are not limited by AAMA/WDMA/CSA 101/I.S.2/A440-08 (A440S1-09) for this product designation. The deflection data is recorded in this report for special code compliance and information only. See Note #4 for deflection locations.*

**Specimen 1E: Optional Performance – Continued**

<b>Range</b>	<b>Time (seconds)</b>	<b>Load Pa (psf)</b>	<b>Location</b>	<b>Deflection mm (in.)</b>	<b>Set mm (in.)</b>	<b>Allowable mm (in.)</b>
Half Proof Positive	10	2334 (48.75)				
Proof Positive	10	4668 (97.50)	1	0.914 (0.036)	0.179 (0.011)	3.810 (0.150)
Half Proof Negative	10	3052 (63.75)				
Proof Negative	10	6105 (127.50)	1	2.413 (0.095)	0.051 (0.002)	3.810 (0.150)

**Note #4: Deflection/Set for Location 1 measured at center of top rail.**

Test Results: Specimen 2 – Class LC-PG65 1067 x 2134 (42 x 84) Type C - Aluminum Casement Window  
(Tested with Five Hinges)

The test results are tabulated as follows:

<u>Paragraph</u>	<u>Title of Test – Test Method</u>	<u>Results</u>	<u>Allowed</u>
5.3.1	Operating Force per ASTM E2068-00	**	
5.3.2.1	Air Infiltration per ASTM E283	**	
Note #1:	<i>The tested specimen meets (or exceeds) the performance levels specified in AAMA/WDMA/CSA 101/I.S.2/A440-08 (A440S1-09) for air infiltration/exfiltration.</i>		
5.3.3.2	Water Resistance per ASTM E547		See Note #2
5.3.4.2	Uniform Load Structural per ASTM E330		See Note #2
Note #2:	<i>The client opted to start at a pressure higher than the minimum required. Those results are listed under "Optional Performance".</i>		
5.3.5	Forced Entry resistance per ASTM F588	**	
5.3.6.4.3	Sash Vertical Deflection Test	**	
5.3.6.6.2	Distributed Load Test	**	

Optional Performance

4.3.2.1	Water Resistance per ASTM E547	**	
---------	--------------------------------	----	--

**\*\* Please see Specimen 1 of this report for these test results.**

4.4.2.6 Optional Performance

Range	Time (seconds)	Load Pa (psf)	Location	Deflection mm (in.)	Allowable mm (in.)
Half Test Positive	10	1556 (32.50)			
Test Positive	10	3112 (65.00)	1	0.940 (0.037)	See Note #3
Half Test Negative	10	2035 (42.50)			
Test Negative	10	4070 (85.00)	1	1.524 (0.060)	See Note #3

Note #3: *The deflections reported are not limited by AAMA/WDMA/CSA 101/I.S.2/A440-08 (A440S1-09) for this product designation. The deflection data is recorded in this report for special code compliance and information only. See Note #4 for deflection locations.*

**Specimen 2: Optional Performance – Continued**

<b>Range</b>	<b>Time (seconds)</b>	<b>Load Pa (psf)</b>	<b>Location</b>	<b>Deflection mm (in.)</b>	<b>Set mm (in.)</b>	<b>Allowable mm (in.)</b>
Half Proof Positive	10	2334 (48.75)				
Proof Positive	10	4668 (97.50)	1	0.940 (0.037)	0.051 (0.002)	3.810 (0.150)
Half Proof Negative	10	3052 (63.75)				
Proof Negative	10	6105 (127.50)	1	1.600 (0.063)	0.229 (0.009)	3.810 (0.150)

**Note #4: Deflection/Set for Location 1 measured at center of top rail.**

Test Results: Specimen 3 – Class LC-PG65 1067 x 1651 (42 x 65) Type C - Aluminum Casement Window

The test results are tabulated as follows:

<u>Paragraph</u>	<u>Title of Test – Test Method</u>	<u>Results</u>	<u>Allowed</u>
5.3.1	Operating Force per ASTM E2068-00	**	
5.3.2.1	Air Infiltration per ASTM E283	**	
Note #1:	<i>The tested specimen meets (or exceeds) the performance levels specified in AAMA/WDMA/CSA 101/I.S.2/A440-08 (A440S1-09) for air infiltration/exfiltration.</i>		
5.3.3.2	Water Resistance per ASTM E547		See Note #2
5.3.4.2	Uniform Load Structural per ASTM E330		See Note #2
Note #2:	<i>The client opted to start at a pressure higher than the minimum required. Those results are listed under "Optional Performance".</i>		
5.3.5	Forced Entry resistance per ASTM F588	**	
5.3.6.4.3	Sash Vertical Deflection Test	**	
5.3.6.6.2	Distributed Load Test	**	

Optional Performance

4.3.2.1	Water Resistance per ASTM E547	**	
---------	--------------------------------	----	--

**\*\* Please see Specimen 1 of this report for these test results.**

4.4.2.6 Optional Performance

Range	Time (seconds)	Load Pa (psf)	Location	Deflection mm (in.)	Allowable mm (in.)
Half Test Positive	10	1556 (32.50)			
Test Positive	10	3112 (65.00)	1	0.127 (0.005)	See Note #3
Half Test Negative	10	2035 (42.50)			
Test Negative	10	4070 (85.00)	1	0.381 (0.015)	See Note #3

Note #3: *The deflections reported are not limited by AAMA/WDMA/CSA 101/I.S.2/A440-08 (A440S1-09) for this product designation. The deflection data is recorded in this report for special code compliance and information only. See Note #4 for deflection locations.*

**Specimen 3: Optional Performance – Continued**

Range	Time (seconds)	Load Pa (psf)	Location	Deflection mm (in.)	Set mm (in.)	Allowable mm (in.)
Half Proof Positive	10	2334 (48.75)	1	0.483 (0.019)	0.127 (0.005)	3.810 (0.150)
Proof Positive	10	4668 (97.50)				
Half Proof Negative	10	3052 (63.75)	1	0.686 (0.027)	0.203 (0.008)	3.810 (0.150)
Proof Negative	10	6105 (127.50)				

*Note #4: Deflection/Set for Location 1 measured at center of top rail.*

Test Results: Specimen 4 – Class LC-PG65 3175 x 2134 (125 x 84) Type C – Muller Aluminum Casement Window (XXX)

The test results are tabulated as follows:

<u>Paragraph</u>	<u>Title of Test – Test Method</u>	<u>Results</u>	<u>Allowed</u>
5.3.1	Operating Force per ASTM E2068-00	**	
5.3.2.1	Air Infiltration per ASTM E283 @ 75 Pa (1.57 psf)	0.090 L/s/m <sup>2</sup> (0.018 SCFM/FT <sup>2</sup> )	1.5 L/s/m <sup>2</sup> (0.30 SCFM/FT <sup>2</sup> )
	Air Infiltration per ASTM E283 @ 299 Pa (6.24 psf)	0.175 L/s/m <sup>2</sup> (0.035 SCFM/FT <sup>2</sup> )	1.5 L/s/m <sup>2</sup> (0.30 SCFM/FT <sup>2</sup> )
	Air Exfiltration per ASTM E283 @ 75 Pa (1.57 psf)	0.065 L/s/m <sup>2</sup> (0.013 SCFM/FT <sup>2</sup> )	1.5 L/s/m <sup>2</sup> (0.30 SCFM/FT <sup>2</sup> )
	Air Exfiltration per ASTM E283 @ 299 Pa (6.24 psf)	0.100 L/s/m <sup>2</sup> (0.020 SCFM/FT <sup>2</sup> )	1.5 L/s/m <sup>2</sup> (0.30 SCFM/FT <sup>2</sup> )
Note #1:	<i>The tested specimen meets (or exceeds) the performance levels specified in AAMA/WDMA/CSA 101/I.S.2/A440-08 (A440S1-09) for air infiltration/exfiltration.</i>		
5.3.3.2	Water Resistance per ASTM E547		See Note #2
5.3.4.2	Uniform Load Structural per ASTM E330		See Note #2
Note #2:	<i>The client opted to start at a pressure higher than the minimum required. Those results are listed under "Optional Performance".</i>		
<b>Optional Performance</b>			
4.3.2.1	Water Resistance per ASTM E547 (without insect screen) 467 Pa (9.75 psf)	No Leakage	No Leakage
5.3.5	Forced Entry resistance per ASTM F588	**	
5.3.6.4.3	Sash Vertical Deflection Test	**	
5.3.6.6.2	Distributed Load Test	**	

**\*\* Please see Specimen 1 of this report for these test results.**

Specimen 4: Optional Performance – Continued

4.4.2.6 Optional Performance

Range	Time (seconds)	Load Pa (psf)	Location	Deflection mm (in.)	Allowable mm (in.)
Half Test Positive	30	1556 (32.50)			
Test Positive	30	3112 (65.00)	1	4.445 (0.175)	See Note #3
Half Test Negative	30	2035 (42.50)			
Test Negative	30	4070 (85.00)	1	5.232 (0.206)	See Note #3

**Note #3:** *The deflections reported are not limited by AAMA/WDMA/CSA 101/I.S.2/A440-08 (A440S1-09) for this product designation. The deflection data is recorded in this report for special code compliance and information only. See Note #4 for deflection locations.*

Range	Time (seconds)	Load Pa (psf)	Location	Deflection mm(in.)	Set mm(in.)	Allowable mm(in.)
Half Proof Positive	10	2334 (48.75)				
Proof Positive	30	4668 (97.50)	1	6.172 (0.243)	0.127 (0.005)	8.230 (0.324)
Half Proof Negative	10	3053 (63.75)				
Proof Negative	30	6105 (127.50)	1	7.061 (0.278)	0.406 (0.016)	8.230 (0.324)

**Note #4:** *Deflection/Set for Location 1 measured at center of top rail.*

**Test Results: Specimen 5 – Class LC-PG65 1067 x 2134 (42 x 84) Type C – Aluminum Casement Window (X)**

The test results are tabulated as follows:

<u>Paragraph</u>	<u>Title of Test – Test Method</u>	<u>Results</u>	<u>Allowed</u>
5.3.1	Operating Force per ASTM E2068-00	**	
5.3.2.1	Air Infiltration per ASTM E283 @ 75 Pa (1.57 psf)	**	
	Air Infiltration per ASTM E283 @ 299 Pa (6.24 psf)	**	
	Air Exfiltration per ASTM E283 @ 75 Pa (1.57 psf)	**	
	Air Exfiltration per ASTM E283 @ 299 Pa (6.24 psf)	**	
Note #1:	<i>The tested specimen meets (or exceeds) the performance levels specified in AAMA/WDMA/CSA 101/I.S.2/A440-08 (A440S1-09) for air infiltration/exfiltration.</i>		
5.3.3.2	Water Resistance per ASTM E547		See Note #2
5.3.4.2	Uniform Load Structural per ASTM E330		See Note #2
Note #2:	<i>The client opted to start at a pressure higher than the minimum required. Those results are listed under "Optional Performance".</i>		
<b>Optional Performance</b>			
4.3.2.1	Water Resistance per ASTM E547	**	
5.3.5	Forced Entry resistance per ASTM F588	**	
5.3.6.4.3	Sash Vertical Deflection Test	**	
5.3.6.6.2	Distributed Load Test	**	

**\*\* Please see Specimen 1 of this report for these test results.**

Specimen 5: Optional Performance – Continued

4.4.2.6 Optional Performance

Range	Time (seconds)	Load Pa (psf)	Location	Deflection mm (in.)	Allowable mm (in.)
Half Test Positive	30	1556 (32.50)			
Test Positive	30	3112 (65.00)	1	0.102 (0.004)	See Note #3
Half Test Negative	30	1556 (32.50)			
Test Negative	30	3112 (65.00)	1	0.279 (0.011)	See Note #3

**Note #3:** *The deflections reported are not limited by AAMA/WDMA/CSA 101/I.S.2/A440-08 (A440S1-09) for this product designation. The deflection data is recorded in this report for special code compliance and information only. See Note #4 for deflection locations.*

Range	Time (seconds)	Load Pa (psf)	Location	Deflection mm(in.)	Set mm(in.)	Allowable mm(in.)
Half Proof Positive	10	2334 (48.75)				
Proof Positive	30	4668 (97.50)	1	0.305 (0.012)	0.102 (0.004)	3.810 (0.150)
Half Proof Negative	10	2334 (48.75)				
Proof Negative	30	4668 (97.50)	1	0.457 (0.018)	0.025 (0.001)	3.810 (0.150)

**Note #4:** *Deflection/Set for Location 1 measured at center of top rail.*

Test Results: Specimen 6 – Class LC-PG65 1067 x 2134 (42 x 84) Type C – Aluminum Casement Window (X)

The test results are tabulated as follows:

<u>Paragraph</u>	<u>Title of Test – Test Method</u>	<u>Results</u>	<u>Allowed</u>
5.3.1	Operating Force per ASTM E2068-00	**	
5.3.2.1	Air Infiltration per ASTM E283 @ 75 Pa (1.57 psf)	**	
	Air Infiltration per ASTM E283 @ 299 Pa (6.24 psf)	**	
	Air Exfiltration per ASTM E283 @ 75 Pa (1.57 psf)	**	
	Air Exfiltration per ASTM E283 @ 299 Pa (6.24 psf)	**	
Note #1:	<i>The tested specimen meets (or exceeds) the performance levels specified in AAMA/WDMA/CSA 101/I.S.2/A440-08 (A440S1-09) for air infiltration/exfiltration.</i>		
5.3.3.2	Water Resistance per ASTM E547		See Note #2
5.3.4.2	Uniform Load Structural per ASTM E330		See Note #2
Note #2:	<i>The client opted to start at a pressure higher than the minimum required. Those results are listed under "Optional Performance".</i>		
<b>Optional Performance</b>			
4.3.2.1	Water Resistance per ASTM E547	**	
5.3.5	Forced Entry resistance per ASTM F588	**	
5.3.6.4.3	Sash Vertical Deflection Test	**	
5.3.6.6.2	Distributed Load Test	**	

**\*\* Please see Specimen 1 of this report for these test results.**

Specimen 6: Optional Performance – Continued

4.4.2.6 Optional Performance

Range	Time (seconds)	Load Pa (psf)	Location	Deflection mm (in.)	Allowable mm (in.)
Half Test Positive	30	1556 (32.50)			
Test Positive	30	3112 (65.00)	1	0.762 (0.030)	See Note #3
Half Test Negative	30	1556 (32.50)			
Test Negative	30	3112 (65.00)	1	0.914 (0.036)	See Note #3

**Note #3:** *The deflections reported are not limited by AAMA/WDMA/CSA 101/1.S.2/A440-08 (A440S1-09) for this product designation. The deflection data is recorded in this report for special code compliance and information only. See Note #4 for deflection locations.*

Range	Time (seconds)	Load Pa (psf)	Location	Deflection mm(in.)	Set mm(in.)	Allowable mm(in.)
Half Proof Positive	10	2334 (48.75)				
Proof Positive	30	4668 (97.50)	1	0.813 (0.032)	0.025 (0.001)	3.810 (0.150)
Half Proof Negative	10	2334 (48.75)				
Proof Negative	30	4668 (97.50)	1	1.676 (0.066)	0.305 (0.012)	3.810 (0.150)

**Note #4:** *Deflection/Set for Location 1 measured at center of top rail.*

**Test Results: Specimen 7 – Class LC-PG65 1067 x 4572 (42 x 180) Type AP- Muller Aluminum  
Awning/Fixed/Casement Windows (X/O/X))**

The test results are tabulated as follows:

<u>Paragraph</u>	<u>Title of Test – Test Method</u>	<u>Results</u>	<u>Allowed</u>
5.3.1	Operating Force per ASTM E2068-00		
	Initiate Motion	9 N (2.0 lbf)	Report Only
	Maintain Motion	7 N (1.5 lbf)	45 N (10.00 lbf)
	Latches	22 N (5.0 lbf)	100 N (22.5 lbf)
5.3.2.1	Air Infiltration per ASTM E283 @ 75 Pa (1.57 psf)	0.070 L/s/m <sup>2</sup> (0.014 SCFM/FT <sup>2</sup> )	1.5 L/s/m <sup>2</sup> (0.30 SCFM/FT <sup>2</sup> )
	Air Infiltration per ASTM E283 @ 299 Pa (6.24 psf)	0.420 L/s/m <sup>2</sup> (0.084 SCFM/FT <sup>2</sup> )	1.5 L/s/m <sup>2</sup> (0.30 SCFM/FT <sup>2</sup> )
	Air Exfiltration per ASTM E283 @ 75 Pa (1.57 psf)	0.245 L/s/m <sup>2</sup> (0.049 SCFM/FT <sup>2</sup> )	1.5 L/s/m <sup>2</sup> (0.30 SCFM/FT <sup>2</sup> )
	Air Exfiltration per ASTM E283 @ 299 Pa (6.24 psf)	0.740 L/s/m <sup>2</sup> (0.149 SCFM/FT <sup>2</sup> )	1.5 L/s/m <sup>2</sup> (0.30 SCFM/FT <sup>2</sup> )
Note #1:	<i>The tested specimen meets (or exceeds) the performance levels specified in AAMA/WDMA/CSA 101/I.S.2/A440-08 (A440S1-09) for air infiltration/exfiltration.</i>		
5.3.3.2	Water Resistance per ASTM E547		See Note #2
5.3.4.2	Uniform Load Structural per ASTM E330		See Note #2
Note #2:	<i>The client opted to start at a pressure higher than the minimum required. Those results are listed under "Optional Performance".</i>		
5.3.5	Forced Entry resistance per ASTM F588 Type B                      Grade 10		
	Disassembly Test	No Entry	No Entry
	Test B1 – B3	No Entry	No Entry
	Sash/Panel Manipulation Test	No Entry	No Entry
	Lock Manipulation Test	No Entry	No Entry
5.3.6.6.6	Awning, Hopper, Projected Hardware Load Test 70N (15 lbf)	46.61 mm (1.835")	No Damage
	Optional Performance		
4.3.2.1	Water Resistance per ASTM E547 (without insect screen) 467 Pa (9.75 psf)	No Leakage	No Leakage

Specimen 7: Optional Performance – Continued

4.4.2.6 Optional Performance

Range	Time (seconds)	Load Pa (psf)	Location	Deflection mm (in.)	Allowable mm (in.)
Half Test Positive	30	1556 (32.50)			
Test Positive	30	3112 (65.00)	1	0.305 (0.012)	See Note #3
Half Test Negative	30	1556 (32.50)			
Test Negative	30	3112 (65.00)	1	0.356 (0.014)	See Note #3

**Note #3:** *The deflections reported are not limited by AAMA/WDMA/CSA 101/1.S.2/A440-08 (A440S1-09) for this product designation. The deflection data is recorded in this report for special code compliance and information only. See Note #4 for deflection locations.*

Range	Time (seconds)	Load Pa (psf)	Location	Deflection mm(in.)	Set mm(in.)	Allowable mm(in.)
Half Proof Positive	10	2334 (48.75)				
Proof Positive	30	4668 (97.50)	1	0.533 (0.021)	0.102 (0.004)	3.810 (0.168)
Half Proof Negative	10	2334 (48.75)				
Proof Negative	30	4668 (97.50)	1	0.864 (0.034)	0.381 (0.015)	3.810 (0.168)

**Note #4:** *Deflection/Set for Location 1 measured at center of top rail.*

Test Results: Specimen 8 – Class LC-PG65 1067 x 4572 (42 x 180) Type AP- Muller Aluminum  
Fixed/Awning/Fixed Windows (O/X/O)

The test results are tabulated as follows:

<u>Paragraph</u>	<u>Title of Test – Test Method</u>	<u>Results</u>	<u>Allowed</u>
5.3.1	Operating Force per ASTM E2068-00		
	Initiate Motion	9 N (2.1 lbf)	Report Only
	Maintain Motion	9 N (2.0 lbf)	45 N (10.00 lbf)
	Latches	22 N (5.0 lbf)	100 N (22.5 lbf)
5.3.2.1	Air Infiltration per ASTM E283 @ 75 Pa (1.57 psf)	0.110 L/s/m <sup>2</sup> (0.021 SCFM/FT <sup>2</sup> )	1.5 L/s/m <sup>2</sup> (0.30 SCFM/FT <sup>2</sup> )
	Air Infiltration per ASTM E283 @ 299 Pa (6.24 psf)	0.095 L/s/m <sup>2</sup> (0.019 SCFM/FT <sup>2</sup> )	1.5 L/s/m <sup>2</sup> (0.30 SCFM/FT <sup>2</sup> )
	Air Exfiltration per ASTM E283 @ 75 Pa (1.57 psf)	0.530 L/s/m <sup>2</sup> (0.106 SCFM/FT <sup>2</sup> )	1.5 L/s/m <sup>2</sup> (0.30 SCFM/FT <sup>2</sup> )
	Air Exfiltration per ASTM E283 @ 299 Pa (6.24 psf)	1.660 L/s/m <sup>2</sup> (0.322 SCFM/FT <sup>2</sup> )	1.5 L/s/m <sup>2</sup> (0.30 SCFM/FT <sup>2</sup> )
Note #1:	<i>The tested specimen meets (or exceeds) the performance levels specified in AAMA/WDMA/CSA 101/I.S.2/A440-08 (A440S1-09) for air infiltration/exfiltration.</i>		
5.3.3.2	Water Resistance per ASTM E547		See Note #2
5.3.4.2	Uniform Load Structural per ASTM E330		See Note #2
Note #2:	<i>The client opted to start at a pressure higher than the minimum required. Those results are listed under "Optional Performance".</i>		
5.3.5	Forced Entry resistance per ASTM F588 Type B                      Grade 10		
	Disassembly Test	No Entry	No Entry
	Test B1 – B3	No Entry	No Entry
	Sash/Panel Manipulation Test	No Entry	No Entry
	Lock Manipulation Test	No Entry	No Entry
5.3.6.6.6	Awning, Hopper, Projected Hardware Load Test 70N (15 lbf)	48.57 mm (1.912")	No Damage
	Optional Performance		
4.3.2.1	Water Resistance per ASTM E547 (without insect screen) 467 Pa (9.75 psf)	No Leakage	No Leakage

Specimen 8: Optional Performance – Continued

4.4.2.6 Optional Performance

Range	Time (seconds)	Load Pa (psf)	Location	Deflection mm (in.)	Allowable mm (in.)
Half Test Positive	30	1556 (32.50)			
Test Positive	30	3112 (65.00)	1	0.127 (0.005)	See Note #3
Half Test Negative	30	1556 (32.50)			
Test Negative	30	3112 (65.00)	1	0.178 (0.007)	See Note #3

**Note #3:** *The deflections reported are not limited by AAMA/WDMA/CSA 101/1.S.2/A440-08 (A440S1-09) for this product designation. The deflection data is recorded in this report for special code compliance and information only. See Note #4 for deflection locations.*

Range	Time (seconds)	Load Pa (psf)	Location	Deflection mm(in.)	Set mm(in.)	Allowable mm(in.)
Half Proof Positive	10	2334 (48.75)				
Proof Positive	30	4668 (97.50)	1	0.559 (0.022)	0.051 (0.002)	3.810 (0.168)
Half Proof Negative	10	2334 (48.75)				
Proof Negative	30	4668 (97.50)	1	1.118 (0.044)	0.102 (0.004)	3.810 (0.168)

**Note #4:** *Deflection/Set for Location 1 measured at center of top rail.*

Test Results: Specimen 12 – Class LC-PG65 1067 x 1829 (42 x 72) Type C – Aluminum Casement Window (X)

The test results are tabulated as follows:

<u>Paragraph</u>	<u>Title of Test – Test Method</u>	<u>Results</u>	<u>Allowed</u>
5.3.1	Operating Force per ASTM E2068-00	**	
5.3.2.1	Air Infiltration per ASTM E283 @ 75 Pa (1.57 psf)	**	
	Air Infiltration per ASTM E283 @ 299 Pa (6.24 psf)	**	
	Air Exfiltration per ASTM E283 @ 75 Pa (1.57 psf)	**	
	Air Exfiltration per ASTM E283 @ 299 Pa (6.24 psf)	**	
Note #1:	<i>The tested specimen meets (or exceeds) the performance levels specified in AAMA/WDMA/CSA 101/I.S.2/A440-08 (A440S1-09) for air infiltration/exfiltration.</i>		
5.3.3.2	Water Resistance per ASTM E547		See Note #2
5.3.4.2	Uniform Load Structural per ASTM E330		See Note #2
Note #2:	<i>The client opted to start at a pressure higher than the minimum required. Those results are listed under "Optional Performance".</i>		
<b>Optional Performance</b>			
4.3.2.1	Water Resistance per ASTM E547	**	
5.3.5	Forced Entry resistance per ASTM F588	**	
5.3.6.4.3	Sash Vertical Deflection Test	**	
5.3.6.6.2	Distributed Load Test	**	

**\*\* Please see Specimen 1 of this report for these test results.**

Specimen 12: Optional Performance – Continued

4.4.2.6 Optional Performance

Range	Time (seconds)	Load Pa (psf)	Location	Deflection mm (in.)	Allowable mm (in.)
Half Test Positive	30	1556 (32.50)			
Test Positive	30	3112 (65.00)	1	1.753 (0.069)	See Note #3
Half Test Negative	30	1556 (32.50)			
Test Negative	30	3112 (65.00)	1	2.159 (0.085)	See Note #3

**Note #3:** *The deflections reported are not limited by AAMA/WDMA/CSA 101/I.S.2/A440-08 (A440S1-09) for this product designation. The deflection data is recorded in this report for special code compliance and information only. See Note #4 for deflection locations.*

Range	Time (seconds)	Load Pa (psf)	Location	Deflection mm(in.)	Set mm(in.)	Allowable mm(in.)
Half Proof Positive	10	2334 (48.75)				
Proof Positive	30	4668 (97.50)	1	2.007 (0.079)	1.245 (0.049)	3.810 (0.150)
Half Proof Negative	10	2334 (48.75)				
Proof Negative	30	4668 (97.50)	1	2.845 (0.112)	1.600 (0.063)	3.810 (0.150)

**Note #4:** *Deflection/Set for Location 1 measured at center of top rail.*

## Conditions, Terms, and General Notes Regarding These Tests

The product tested Has Been compared to the detailed drawing, bill of materials and fabrication information supplied by the client so named herein. Our analysis, which includes dimensional and component description comparisons, indicate the tested product and engineering information supplied by the client "Are Equivalent". The report and representative samples will be retained for four years from the date of initial test.

These test results were obtained by employing all requirements of the designated test methods with no Deviations unless explicitly noted in test report. The test results and specimen supplied for testing are in compliance with the reference.

The test results are specific to the product tested by this laboratory and of the sample supplied by the client named herein, and they relate to no other product either manufactured by the client, a fabricator of the client or of the client or of installed field performance.

This test report does not constitute certification of this product, but only that the above test results were obtained using the designated test methods and they indicate compliance with the performance requirements (paragraphs as listed) of the above referenced specifications.

Testing Evaluation Laboratories, Inc. makes no opinions or endorsements regarding this product and its performance. This report may not be reproduced or quoted in partial form without the expressed written approval of Testing Evaluation Laboratories, Inc.

Testing Evaluation Laboratories, Inc.'s letter, reports, its name or insignia or mark are for the exclusive use of the client so named herein and any other use is strictly prohibited. The report, letters and the name of Testing Evaluation Laboratories, Inc., its seal or mark shall not be used in any circumstance to the general public or in any advertising.

Limitation of liability: Due diligence was used in performing the tests and reporting the results. By acceptance of this report, this client agrees to hold harmless and indemnify Testing Evaluation Laboratories, Inc., its employees and officers and owners against all claims and demands of any kind whatsoever, which arise out of or in any manner connected with the performance of work referred to herein.

Testing Evaluation Laboratories, Inc.



Vivian K. Wright,  
President

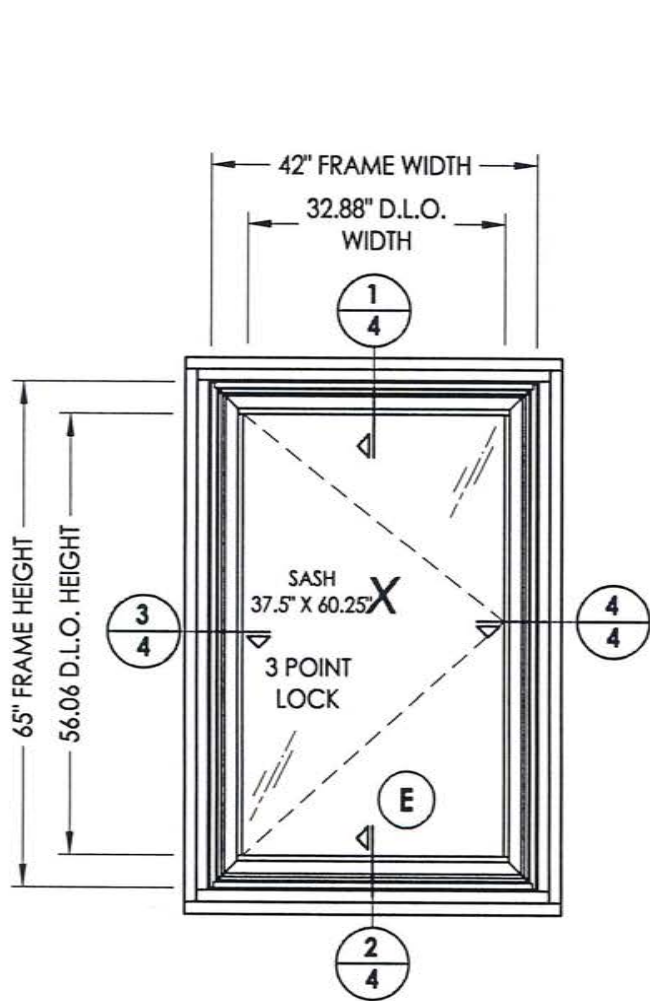
**Revision Log**

Rev No.	Date	Page(s)	Revision(s)
0	10/21/2013	NA	Original Report Issue

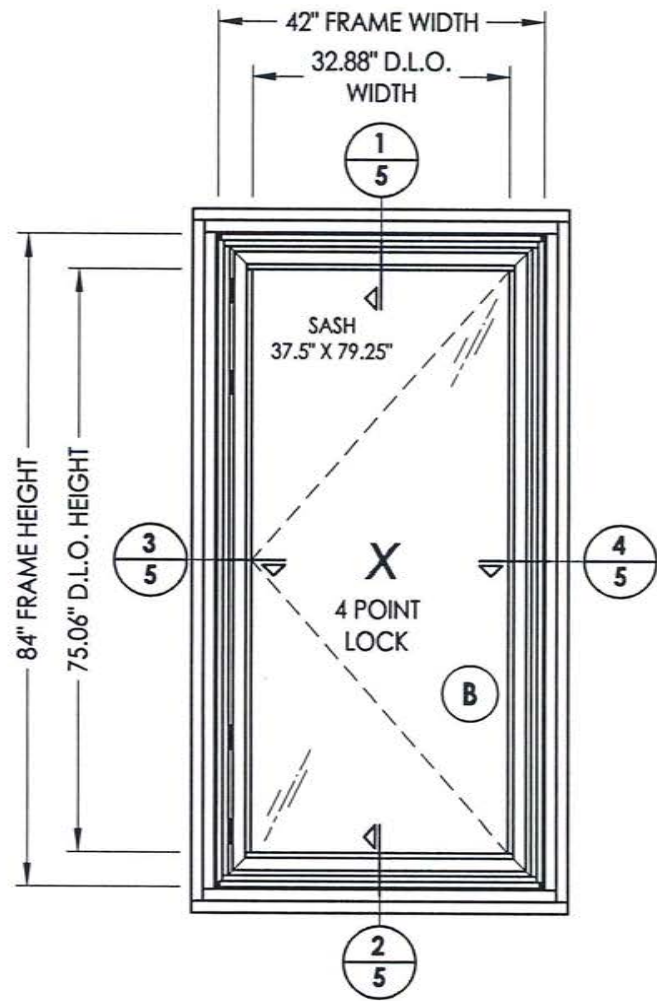
TABLE OF CONTENTS	
SHEET #	DESCRIPTION
1	Table of contents
2	Test elevation
3	Test elevation
4	Horizontal and vertical cross sections
5	Horizontal and vertical cross sections
6	Horizontal cross sections
7	Horizontal and vertical cross sections
8	Frame anchoring
9	Frame anchoring
10	Frame anchoring
11	Components
12	Glazing details
13	Bill of materials

Testing Evaluation Laboratories Inc  
 Specimen Complies with Drawing  
 Deviations Noted - TEL # 01990817  
 Date 10-31-13 Verified by gw

PRODUCT: FLEETWOOD KONA 3800 CASEMENT WINDOW	
PART OR ASSEMBLY: TABLE OF CONTENTS	
NO.	DATE
	BY
	REVISIONS
	
DATE: 9/25/13	
SCALE: N.T.S.	
DWG. BY: JK	
CHK. BY: LFS	
DRAWING NO.:	
L-7031	
SHEET 1 OF 13	



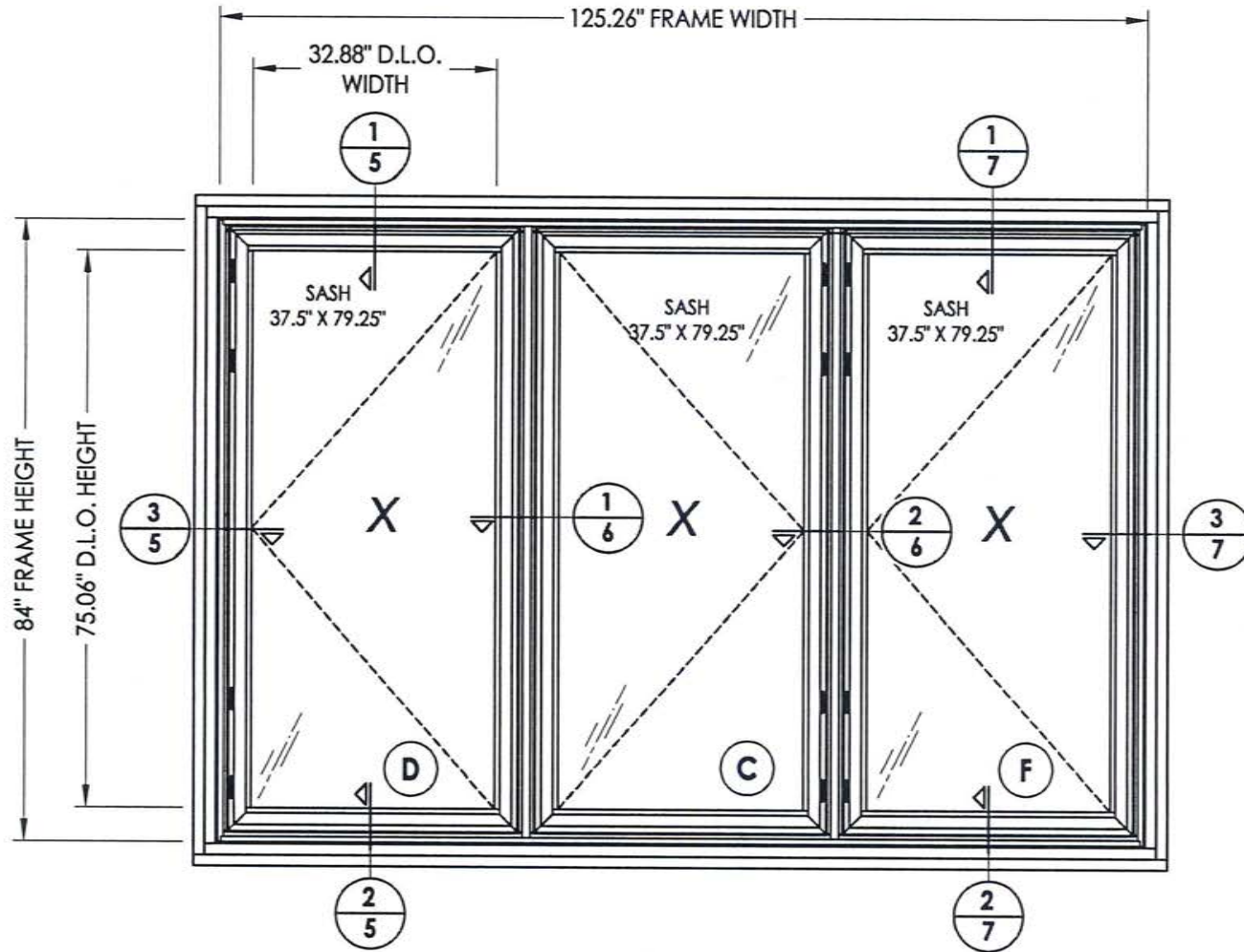
**SPEC. #3, 3A**



**SPEC. #1, 1A, 1B, 1C**

Testing Evaluation Laboratories Inc  
 Specimen Complies with Drawing  
 Deviations Noted - TEL # 01990817  
 Date 10-31-13 Verified by gn

PRODUCT:		FLEETWOOD KONA 3800 CASEMENT WINDOW	
PART OR ASSEMBLY:		TEST ELEVATION	
NO.	DATE	BY	REVISIONS
RW BUILDING CONSULTANTS, INC. 813.659.9197			
DATE: 9/25/13			
SCALE: N.T.S.			
DWG. BY: JK			
CHK. BY: LFS			
DRAWING NO.: L-7031			
SHEET 2 OF 13			



**SPEC. #4, 4A**

**Testing Evaluation Laboratories Inc**  
**Specimen Complies with Drawing**  
**Deviations Noted - TEL # 01990817**  
**Date 10-31-13 Verified by gw**

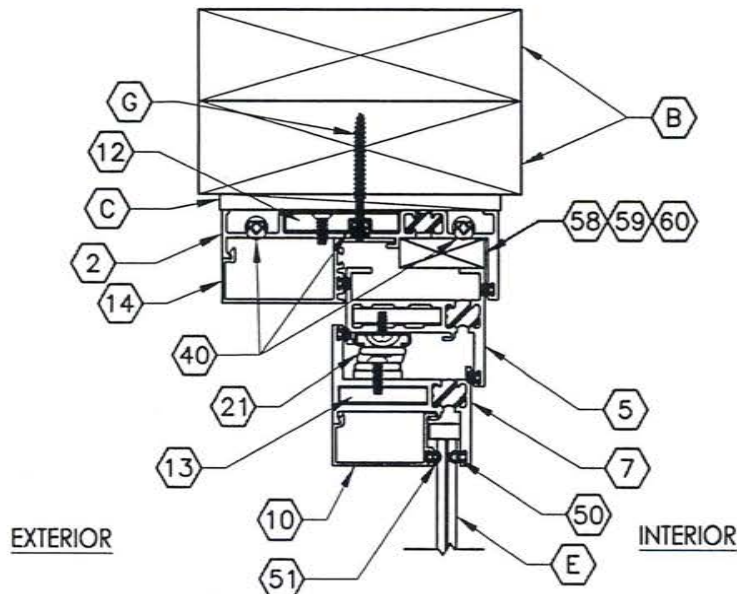
PRODUCT: FLEETWOOD  
 KONA 3800  
 CASEMENT WINDOW

PART OR ASSEMBLY: TEST ELEVATION

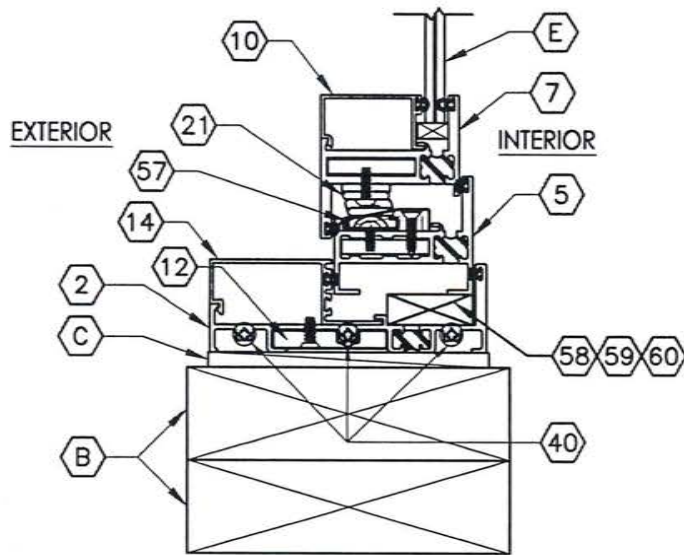
NO.	DATE	BY	REVISIONS

**RW BUILDING CONSULTANTS, INC.**  
 813.659.9197

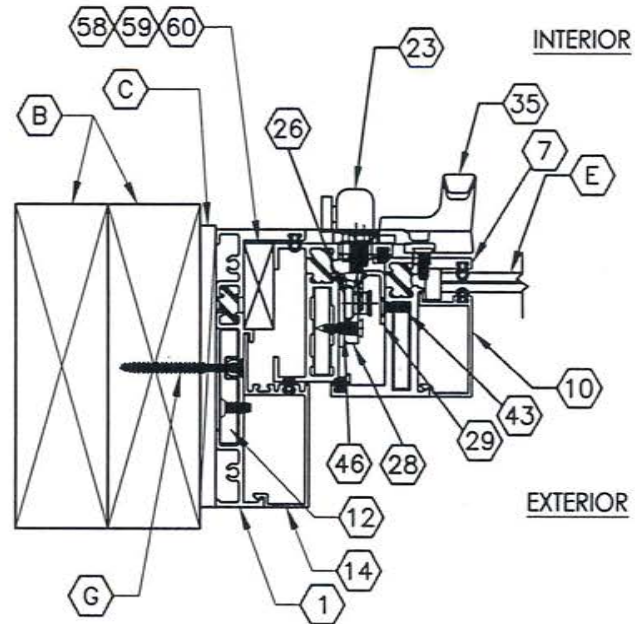
DATE: 9/25/13  
 SCALE: N.T.S.  
 DWG. BY: JK  
 CHK. BY: LFS  
 DRAWING NO.: L-7031  
 SHEET 3 OF 13



**1**  
**4** VERTICAL CROSS SECTION

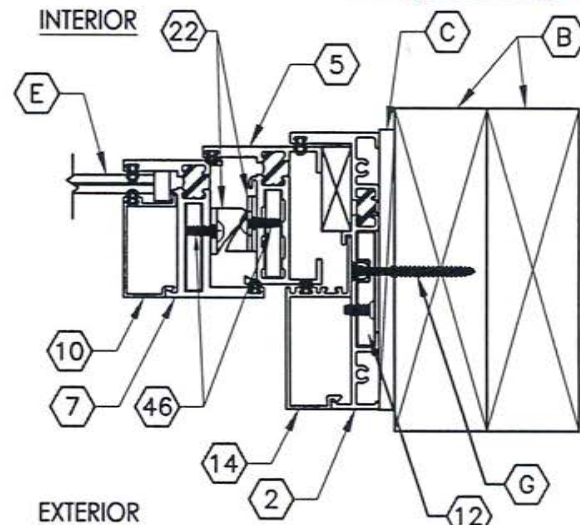


**2**  
**4** VERTICAL CROSS SECTION



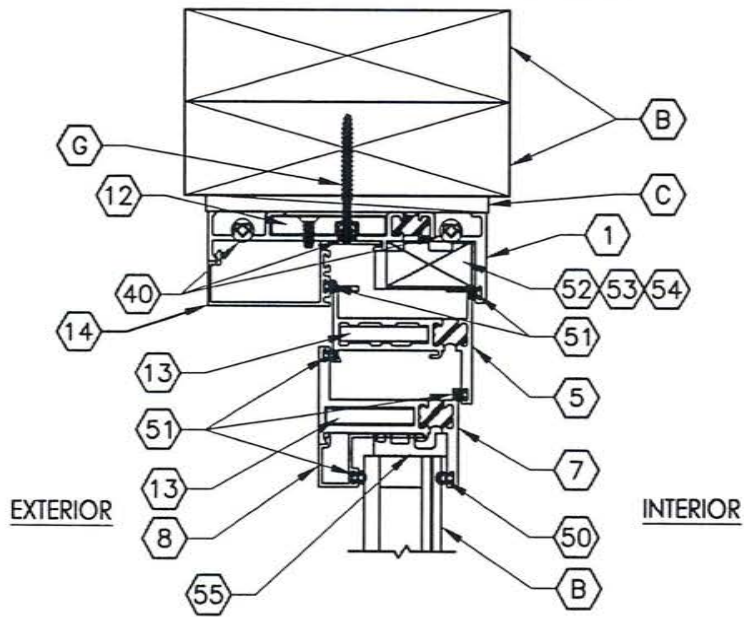
**3**  
**4** HORIZONTAL CROSS SECTION

*Rating Laboratories Inc*  
*Specimen Complies with Drawing*  
*Deviations Noted - TEL # 01990817*  
*Date 10-31-13 Verified by gw*

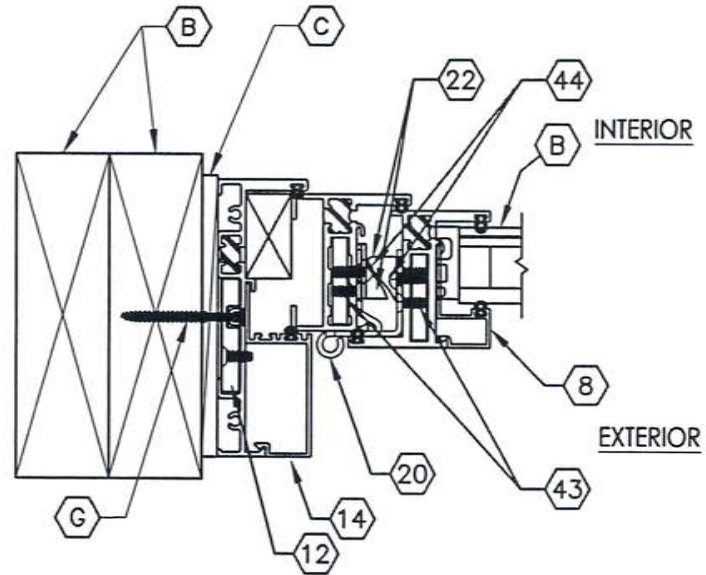


**4**  
**4** HORIZONTAL CROSS SECTION

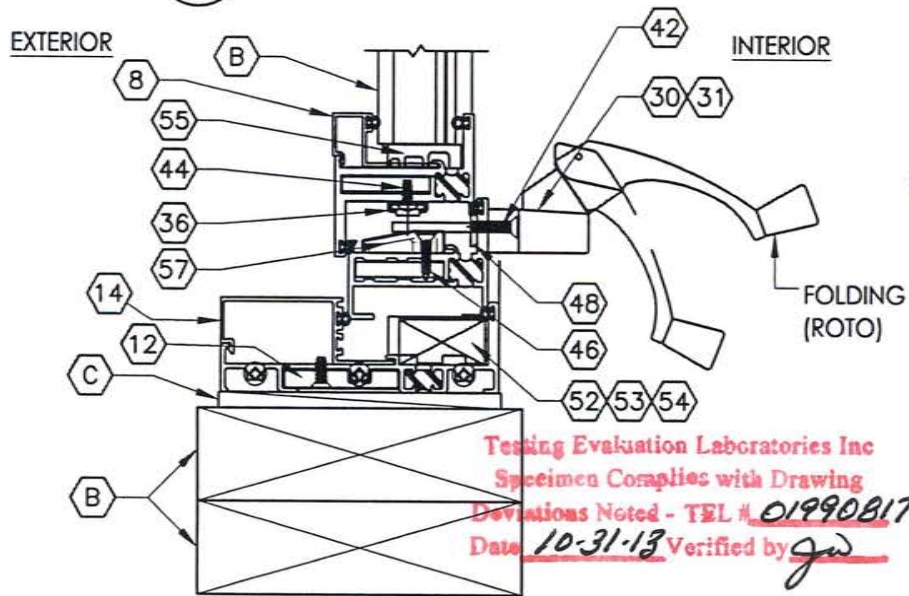
PRODUCT:		FLEETWOOD KONA 3800 CASEMENT WINDOW	
PART OR ASSEMBLY:		HORIZONTAL AND VERTICAL CROSS SECTIONS	
NO.	DATE	BY	REVISIONS
 RW BUILDING CONSULTANTS, INC. 813.659.9197			
DATE:		9/25/13	
SCALE:		N.T.S.	
DWG. BY:		JK	
CHK. BY:		LFS	
DRAWING NO.:		L-7031	
SHEET		4 OF 13	



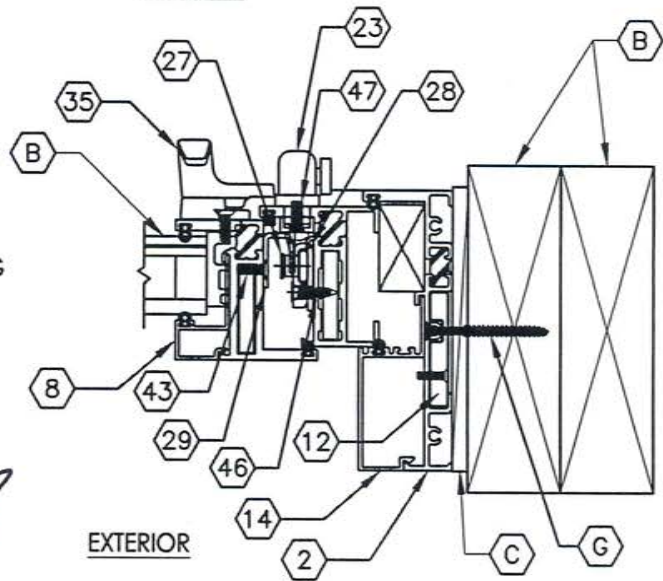
**1**  
**5** VERTICAL CROSS SECTION



**3**  
**5** HORIZONTAL CROSS SECTION



**2**  
**5** VERTICAL CROSS SECTION



**4**  
**5** HORIZONTAL CROSS SECTION

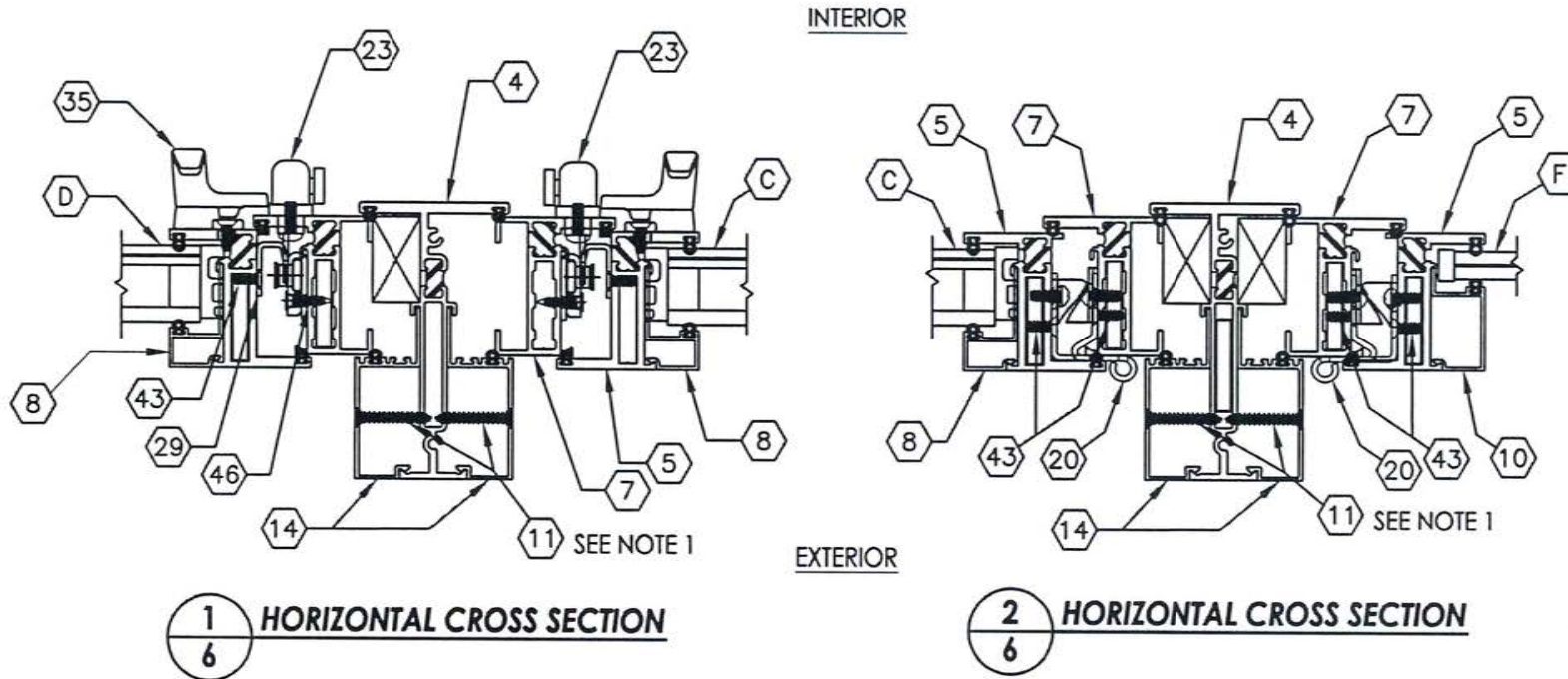
Testing Evaluation Laboratories Inc  
 Specimen Complies with Drawing  
 Deviations Noted - TEL # 01990817  
 Date 10-31-13 Verified by *gaw*

PRODUCT: FLEETWOOD KONA 3800 CASEMENT WINDOW  
 PART OR ASSEMBLY: HORIZONTAL AND VERTICAL CROSS SECTIONS

NO.	DATE	REVISIONS	BY

**RW** BUILDING CONSULTANTS, INC.  
 813.659.9197

DATE: 9/25/13  
 SCALE: N.T.S.  
 DWG. BY: JK  
 CHK. BY: LFS  
 DRAWING NO.: L-7031  
 SHEET 5 OF 13



**1**  
**6** **HORIZONTAL CROSS SECTION**

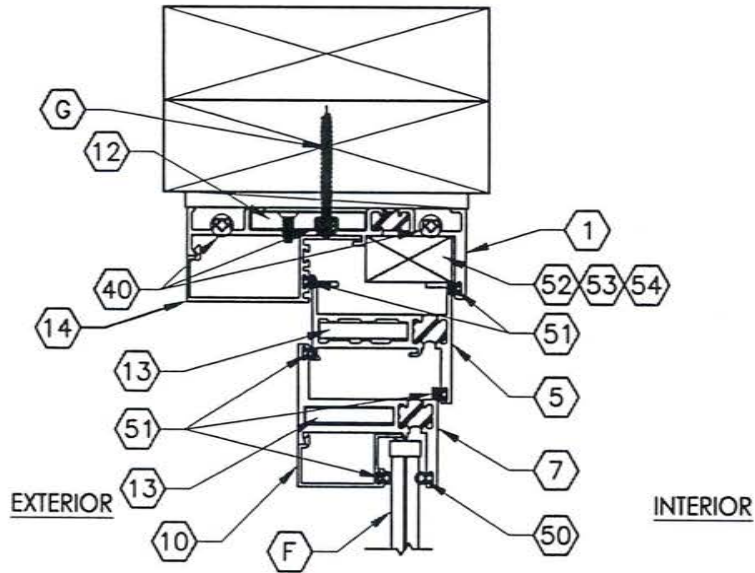
**2**  
**6** **HORIZONTAL CROSS SECTION**

**NOTE:**

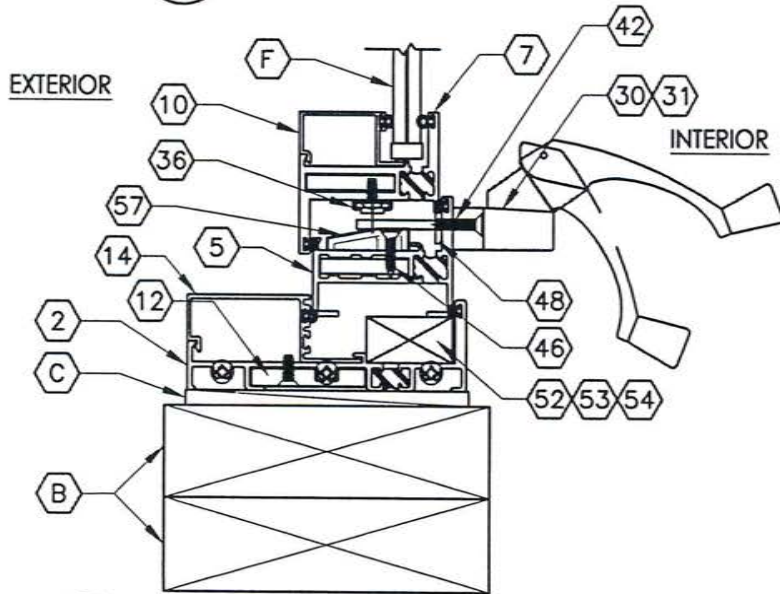
- Item #11 located 4" from each end then 12" on center for (8) total.

Testing Evaluation Laboratories Inc  
 Specimen Complies with Drawing  
 Deviations Noted - TEL # 01990817  
 Date 10-31-13 Verified by gw

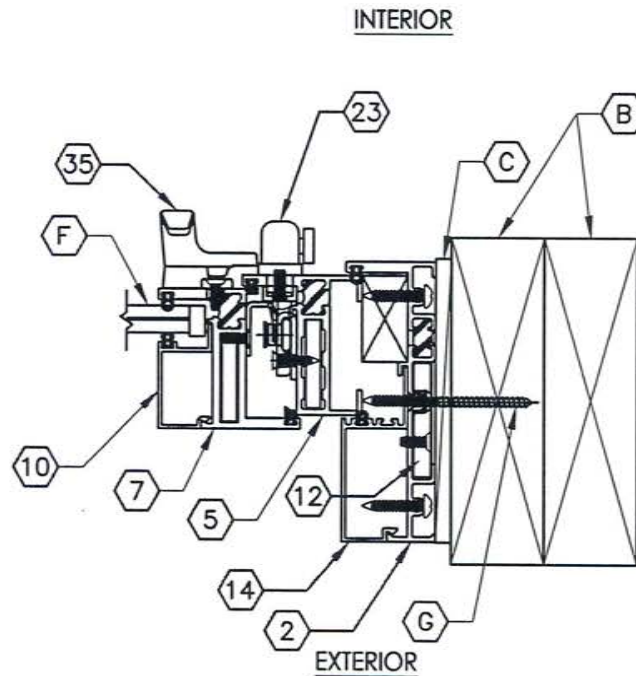
PRODUCT:		FLEETWOOD KONA 3800 CASEMENT WINDOW	
PART OR ASSEMBLY:		HORIZONTAL CROSS SECTIONS	
NO.	DATE	REVISIONS	BY
 RW BUILDING CONSULTANTS, INC. 813.659.9197			
DATE: 9/25/13			
SCALE: N.T.S.			
DWG. BY: JK			
CHK. BY: LFS			
DRAWING NO.:			
L-7031			
SHEET 6 OF 13			



**1**  
**7** VERTICAL CROSS SECTION



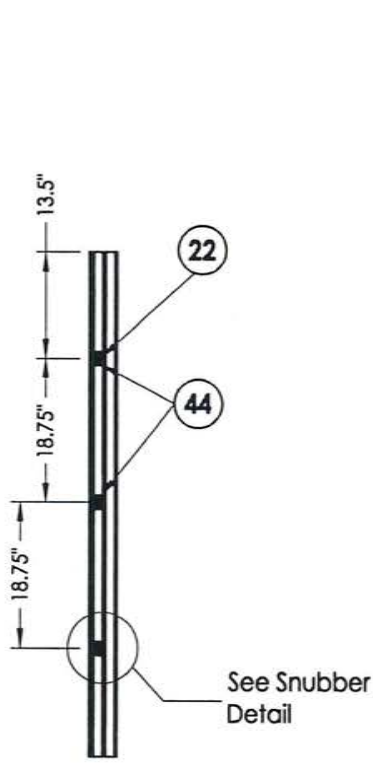
**2**  
**7** VERTICAL CROSS SECTION



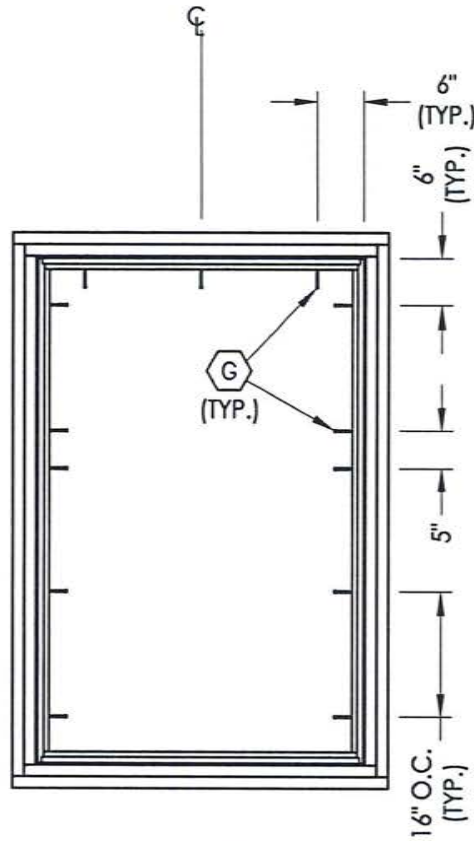
**3**  
**7** HORIZONTAL CROSS SECTION

Testing Evaluation Laboratories Inc  
 Specimen Complies with Drawing  
 Deviations Noted - TEL # 01990817  
 Date 10.31.13 Verified by *gw*

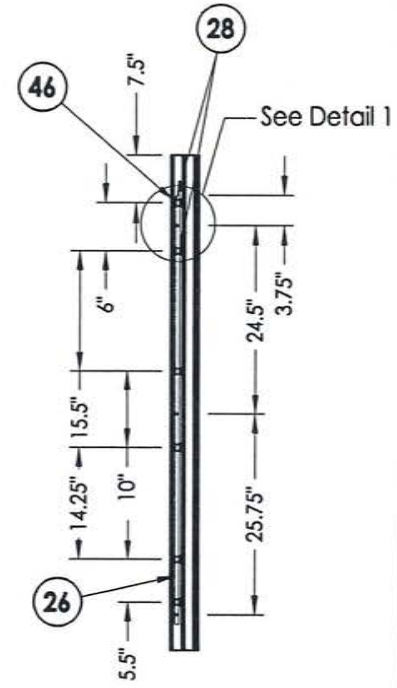
PRODUCT: FLEETWOOD KONA 3800 CASEMENT WINDOW		PART OR ASSEMBLY: HORIZONTAL AND VERTICAL CROSS SECTIONS	
NO.	DATE	REVISIONS	BY
 RW BUILDING CONSULTANTS, INC. 813.659.9197			
DATE: 9/25/13			
SCALE: N.T.S.			
DWG. BY: JK			
CHK. BY: LFS			
DRAWING NO.:			
L-7031			
SHEET 7 OF 13			



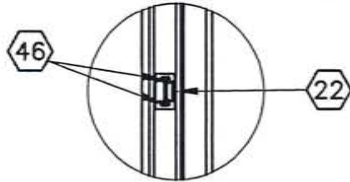
**SNUBBERS JAMB**



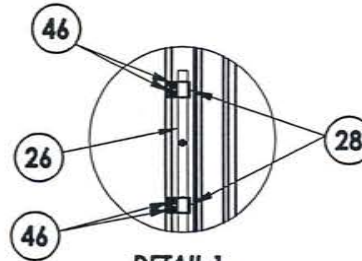
**FRAME ANCHORING**  
2X buck construction



**LOCK JAMB**  
Locking Points (3)



**SNUBBER DETAIL**



**DETAIL 1**

Testing Evaluation Laboratories Inc  
 Specimen Complies with Drawing  
 Deviations Noted - TEL # 01990817  
 Date 10-31-13 Verified by *gw*

PRODUCT:

FLEETWOOD  
 KONA 3800  
 CASEMENT WINDOW

PART OR ASSEMBLY:

FRAME ANCHORING

NO.	DATE	REVISIONS	BY

**RW** BUILDING  
 CONSULTANTS, INC.  
 813.659.9197

DATE: 9/25/13

SCALE: N.T.S.

DWG. BY: JK

CHK. BY: LFS

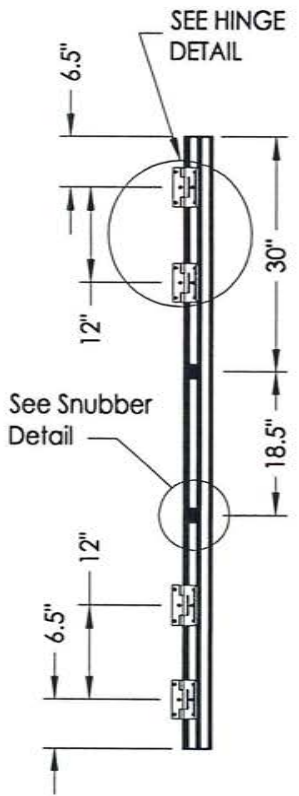
DRAWING NO.:

L-7031

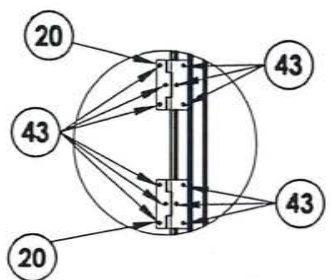
SHEET 8 OF 13

R:\A - Projects\Project Folders\Proj 1701 - 1800\PF 1731\D. RWBC Drawings\L-7031.dwg

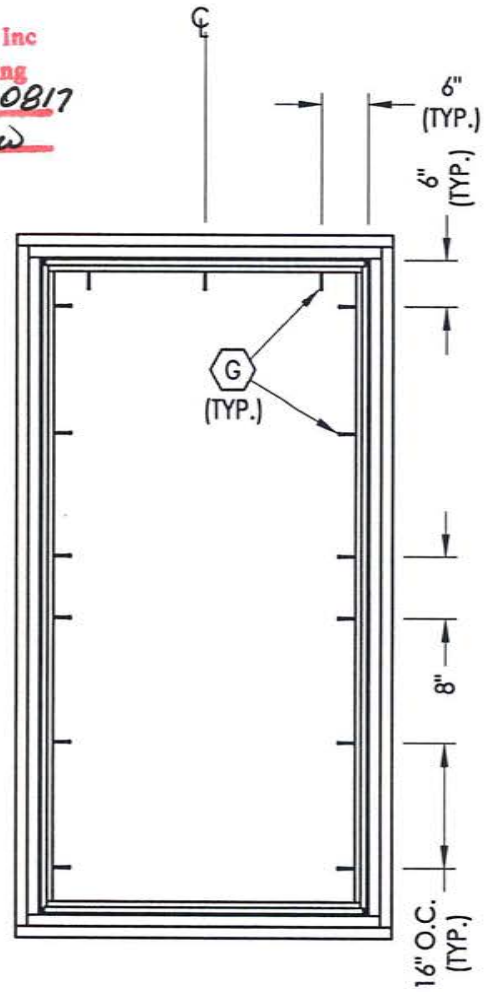
Testing Evaluation Laboratories Inc  
 Specimen Complies with Drawing  
 Deviations Noted - TEL # 01990817  
 Date 10-31-13 Verified by gw



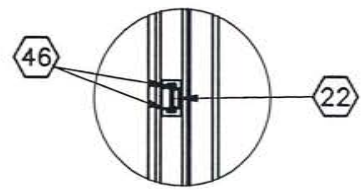
**HINGE JAMB**



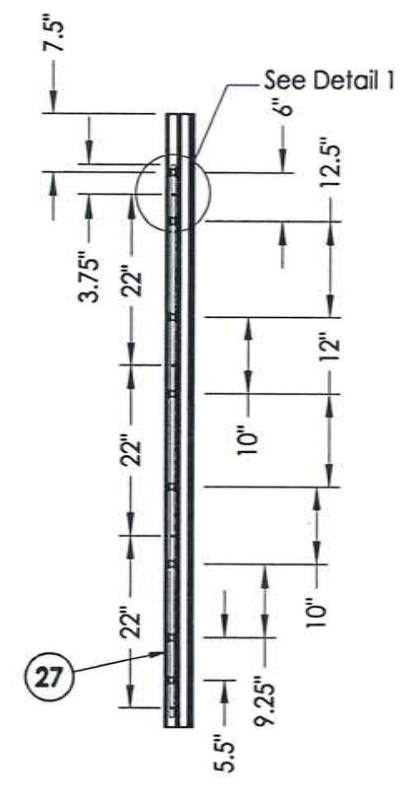
**HINGE DETAIL**



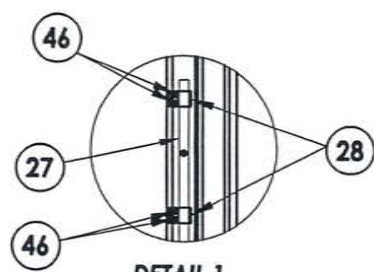
**FRAME ANCHORING**  
2X buck construction



**SNUBBER DETAIL**



**LOCK JAMB**  
Locking Points (4)

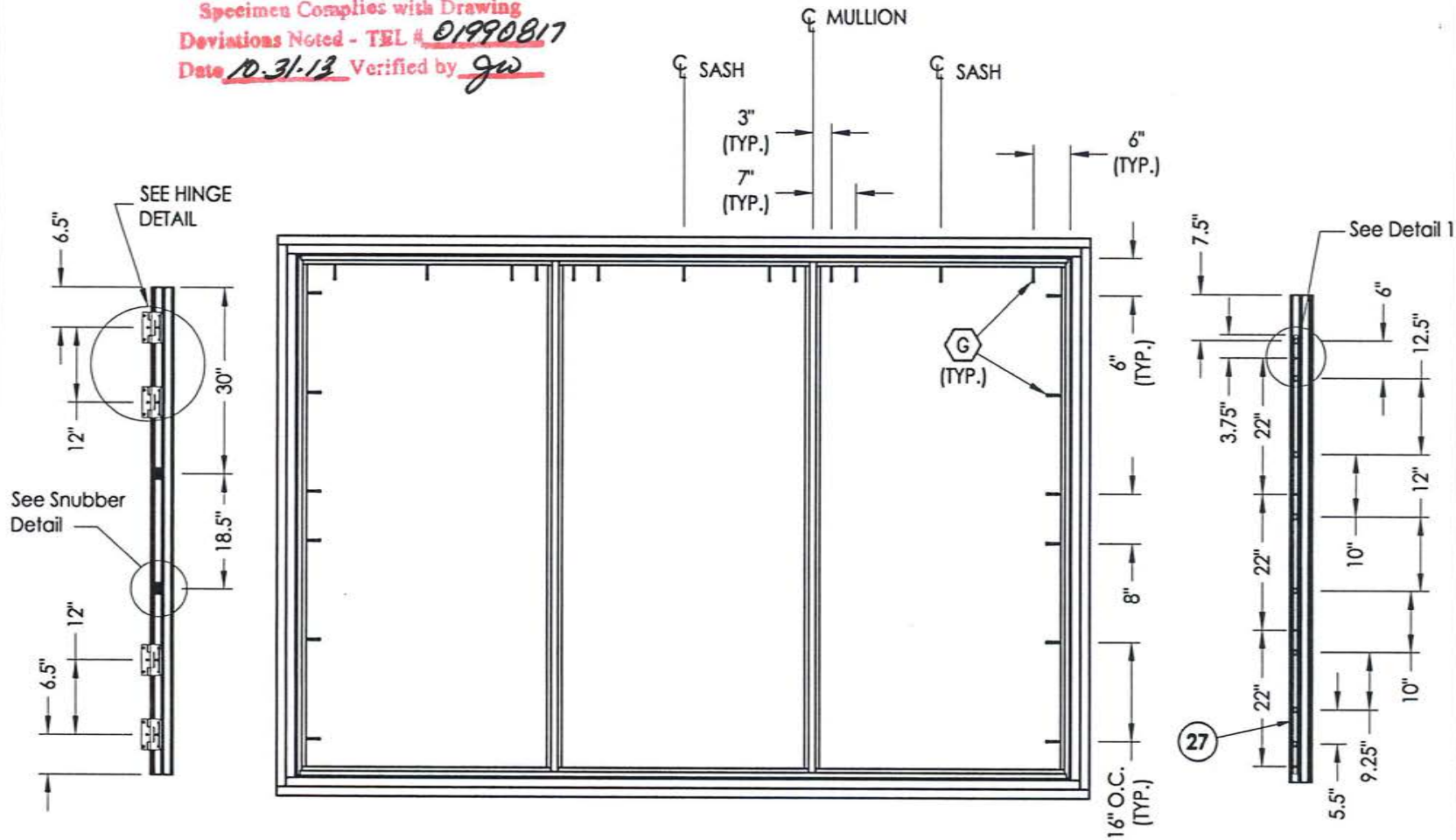


**DETAIL 1**

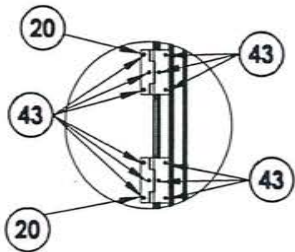
PRODUCT: FLEETWOOD KONA 3800 CASEMENT WINDOW		PART OR ASSEMBLY: FRAME ANCHORING	
NO.	DATE	REVISIONS	BY
 RW BUILDING CONSULTANTS, INC. 813.659.9197			
DATE: 9/25/13			
SCALE: N.T.S.			
DWG. BY: JK			
CHK. BY: LFS			
DRAWING NO.: L-7031			
SHEET 9 OF 13			

R:\A - Projects\Project Folders\Proj 1701 - 1800\PF 1731\D. RWBC Drawings\L-7031.dwg

Testing Evaluation Laboratories Inc  
 Specimen Complies with Drawing  
 Deviations Noted - TEL # 01990817  
 Date 10.31.13 Verified by gwo



**HINGE JAMB**



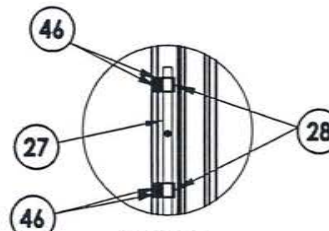
**HINGE DETAIL**

**FRAME ANCHORING**  
2X buck construction



**SNUBBER DETAIL**

**LOCK JAMB**



**DETAIL 1**

PRODUCT:

FLEETWOOD  
KONA 3800  
CASEMENT WINDOW

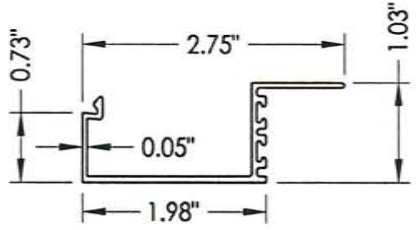
PART OR ASSEMBLY:

FRAME ANCHORING

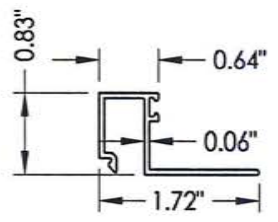
NO.	DATE	REVISIONS	BY

**RW BUILDING CONSULTANTS, INC.**  
813.659.9197

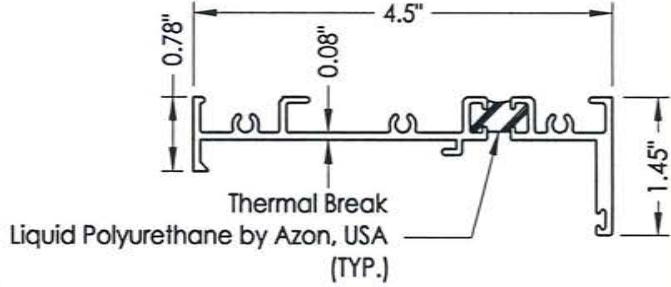
DATE: 9/25/13  
 SCALE: N.T.S.  
 DWG. BY: JK  
 CHK. BY: LFS  
 DRAWING NO.: L-7031



**14 INSERT STOP**  
011448

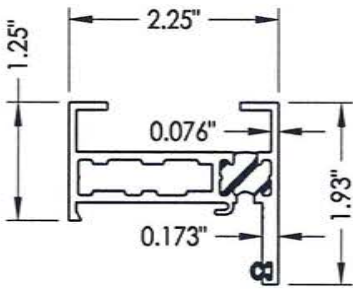


**8 GLASS STOP 1-1/4"**  
901487

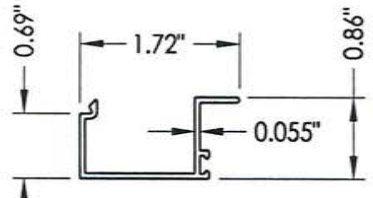


**2 KONA BLOCK FRAME**  
011239

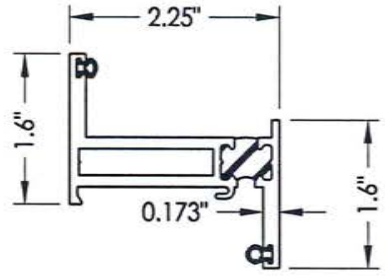
Testing Evaluation Laboratories Inc  
Specimen Complies with Drawing  
Deviations Noted - TEL # 01990817  
Date 10-31-13 Verified by Jed



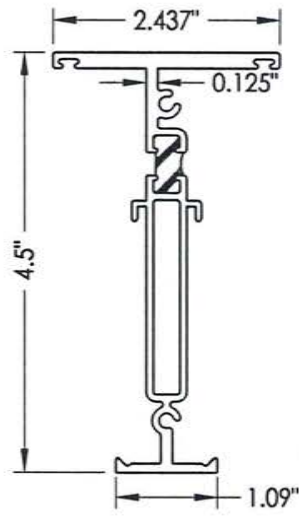
**5 BLOCK FRAME**  
5278C1



**10 GLASS STOP 5/16", 7/16"**  
007930

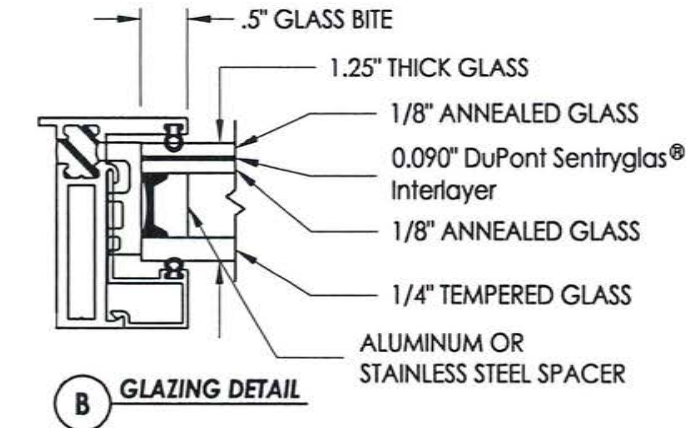


**7 ZEE BAR (PANEL)**  
H006733

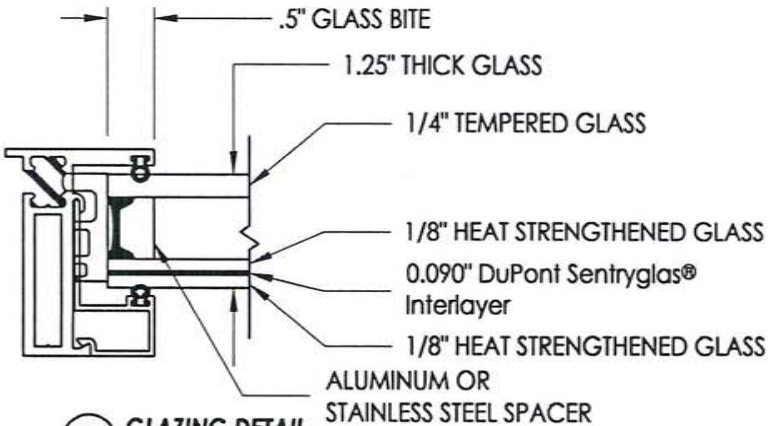


**4 MULLION**  
H011241

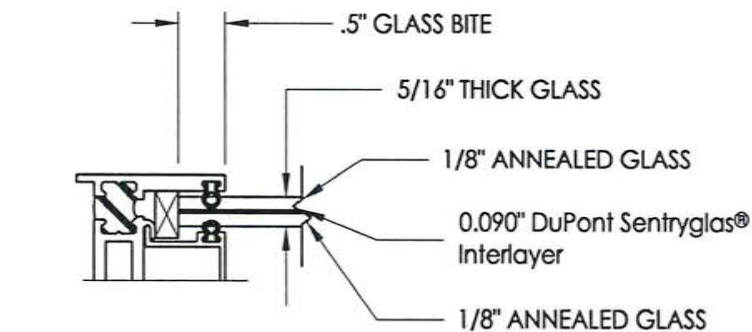
PRODUCT: FLEETWOOD KONA 3800 CASEMENT WINDOW		PART OR ASSEMBLY: COMPONENTS	
NO.	DATE	REVISIONS	BY
DATE: 9/25/13			
SCALE: N.T.S.			
DWG. BY: JK			
CHK. BY: LFS			
DRAWING NO.: L-7031			
SHEET 11 OF 13			



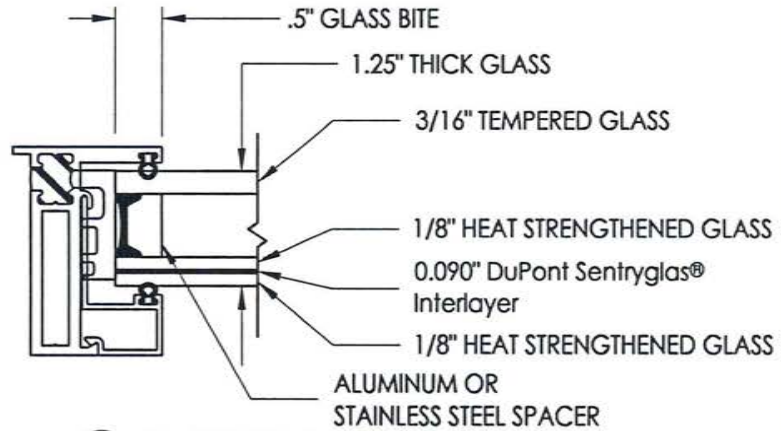
**B** GLAZING DETAIL



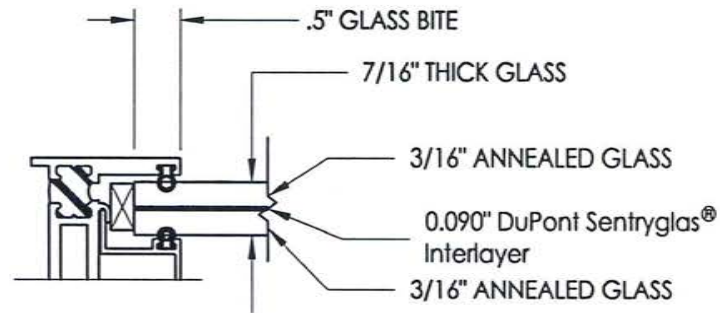
**D** GLAZING DETAIL



**E** GLAZING DETAIL



**C** GLAZING DETAIL



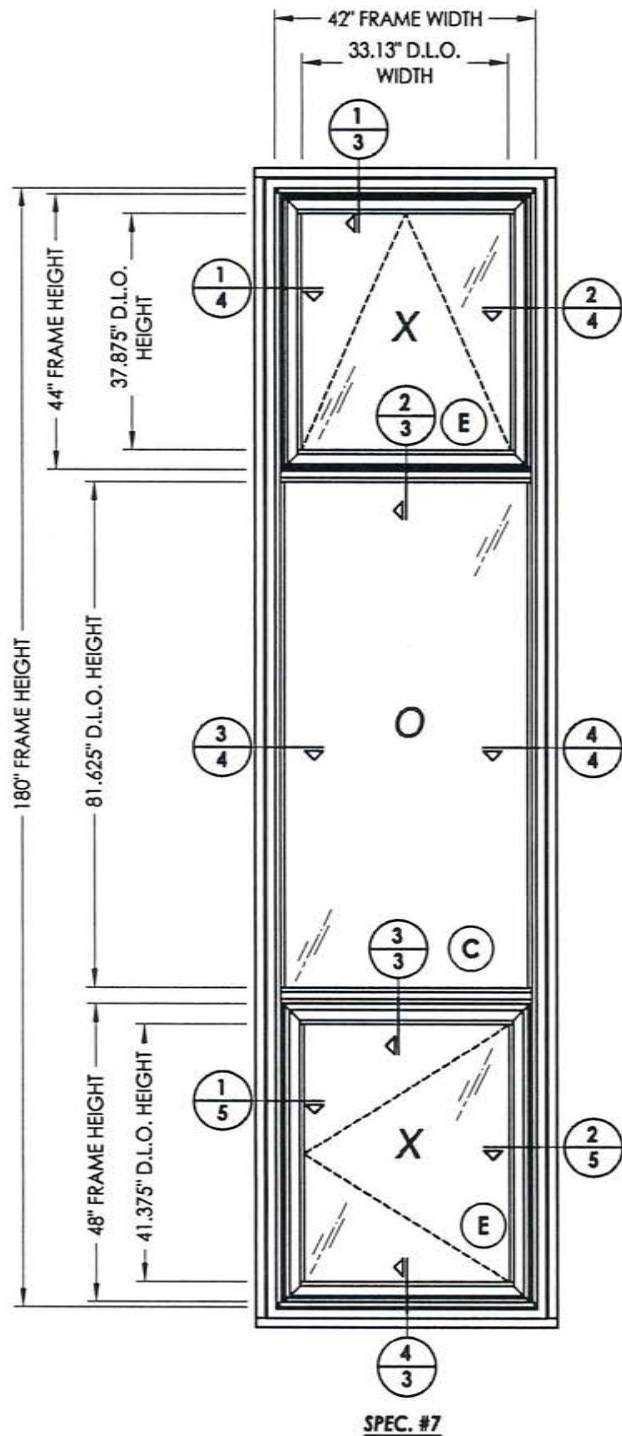
**F** GLAZING DETAIL

Testing Evaluation Laboratories Inc  
 Specimen Complies with Drawing  
 Deviations Noted - TEL # 01990817  
 Date 10-31-13 Verified by gw

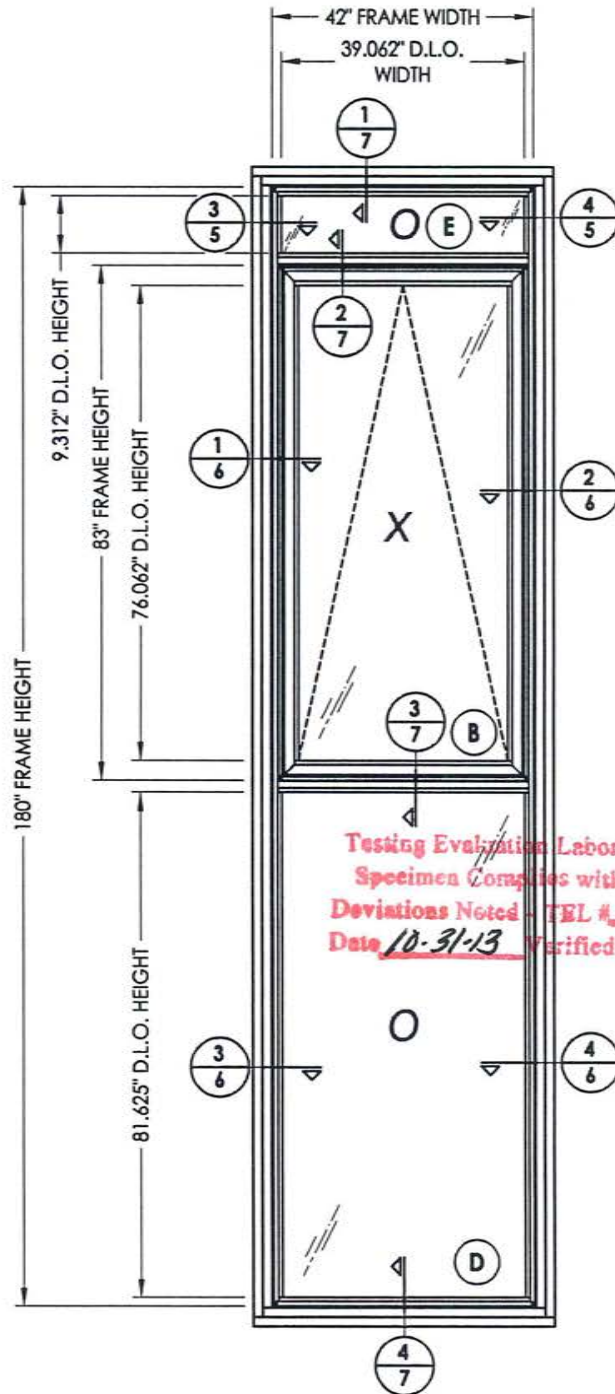
PRODUCT: FLEETWOOD KONA 3800 CASEMENT WINDOW		PART OR ASSEMBLY: GLAZING DETAILS	
NO.	DATE	REVISIONS	BY
DATE: 9/25/13			
SCALE: N.T.S.			
DWG. BY: JK			
CHK. BY: LFS			
DRAWING NO.: L-7031			
SHEET 12 OF 13			







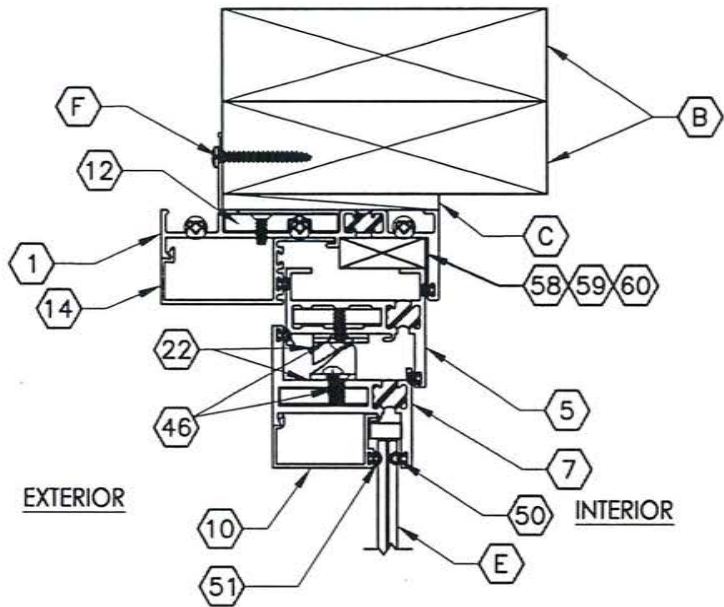
SPEC. #7



Testing Evaluation Laboratories Inc  
 Specimen Correlates with Drawing  
 Deviations Noted - TEL # 01990817  
 Date 10-31-13 Verified by *jd*

SPEC. #8, 8A

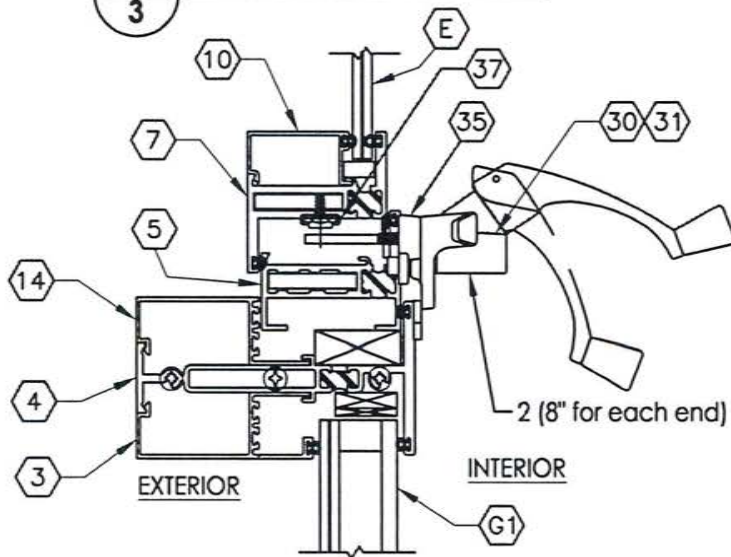
PRODUCT:		FLEETWOOD KONA 3800 CASEMENT WINDOW	
PART OR ASSEMBLY:		TEST ELEVATION	
NO.	DATE	REVISIONS	BY
DATE: 9/25/13			
SCALE: N.T.S.			
DWG. BY: JK			
CHK. BY: LFS			
DRAWING NO.:			
L-7032			
SHEET 2 OF 12			



EXTERIOR

INTERIOR

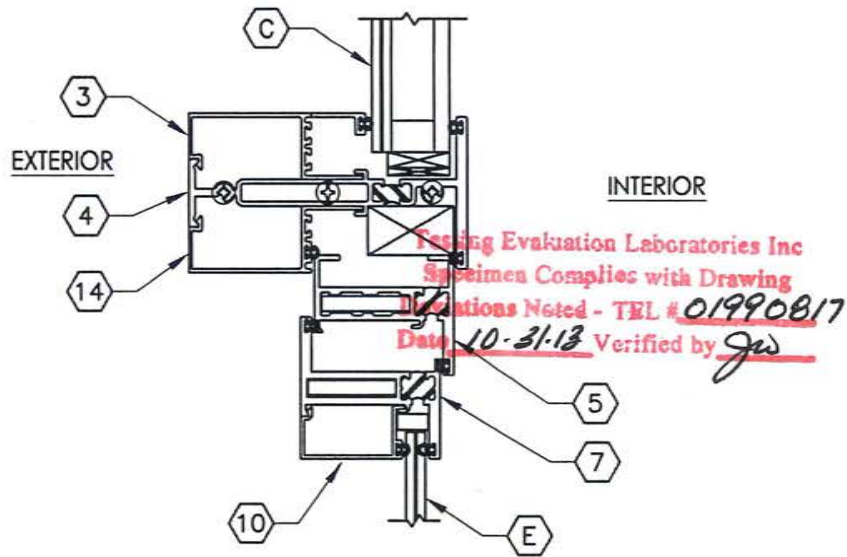
**1** VERTICAL CROSS SECTION  
**3**



EXTERIOR

INTERIOR

**2** VERTICAL CROSS SECTION  
**3**

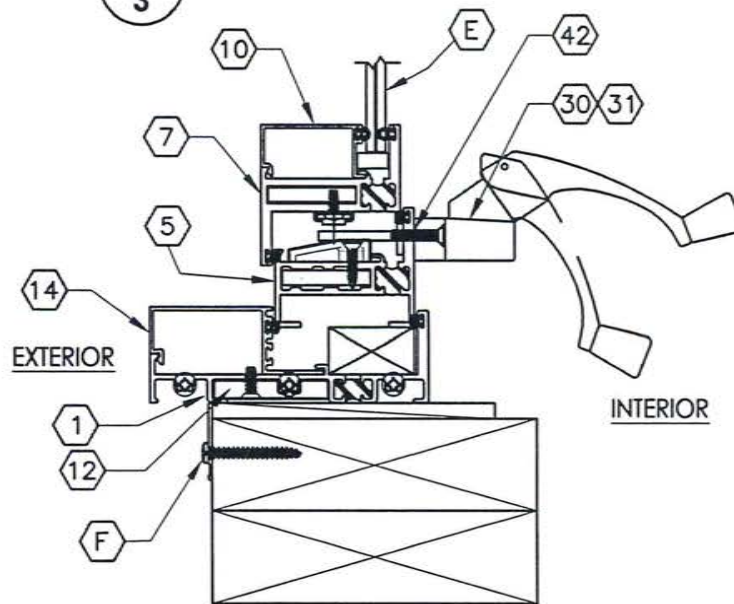


EXTERIOR

INTERIOR

Testing Evaluation Laboratories Inc  
Specimen Complies with Drawing  
Discrepancies Noted - TEL # 01990817  
Date 10-31-13 Verified by JW

**3** VERTICAL CROSS SECTION  
**3**



EXTERIOR

INTERIOR

**4** VERTICAL CROSS SECTION  
**3**

PRODUCT:

FLEETWOOD  
KONA 3800 CASEMENT WINDOW

PART OR ASSEMBLY:

VERTICAL  
CROSS SECTIONS

NO.	DATE	BY	REVISIONS

**RW** BUILDING  
CONSULTANTS, INC.  
813.659.9197

DATE: 9/25/13

SCALE: N.T.S.

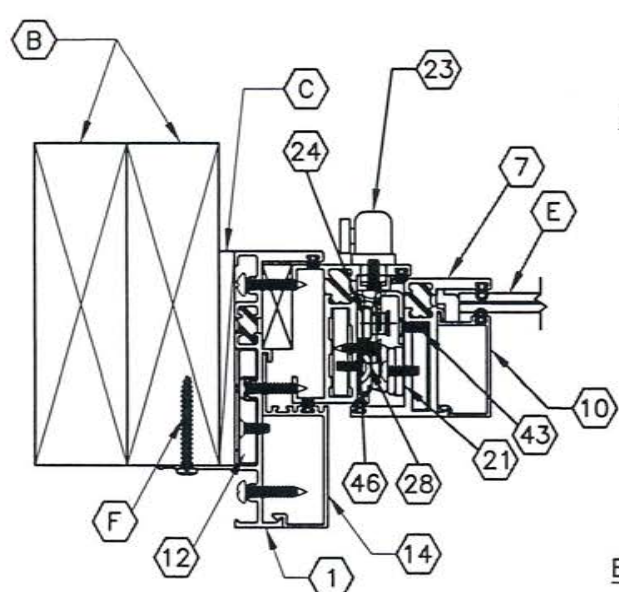
DWG. BY: JK

CHK. BY: LFS

DRAWING NO.:

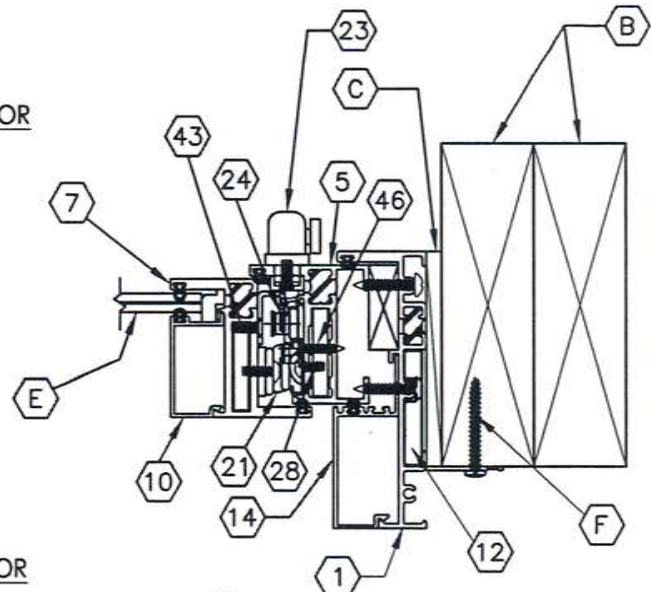
L-7032

SHEET 3 OF 12



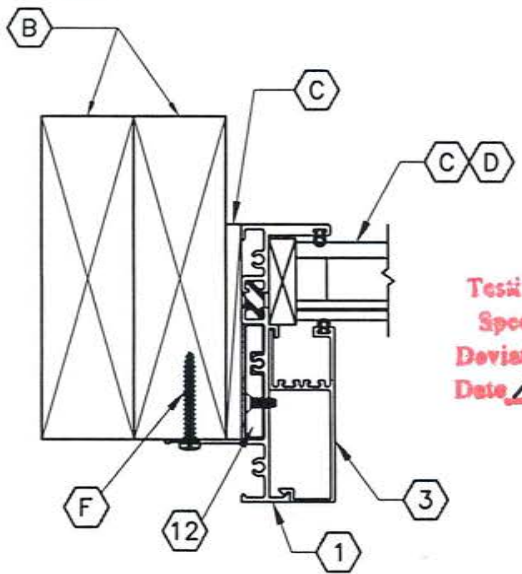
**1**  
**4** **HORIZONTAL CROSS SECTION**

INTERIOR



**2**  
**4** **HORIZONTAL CROSS SECTION**

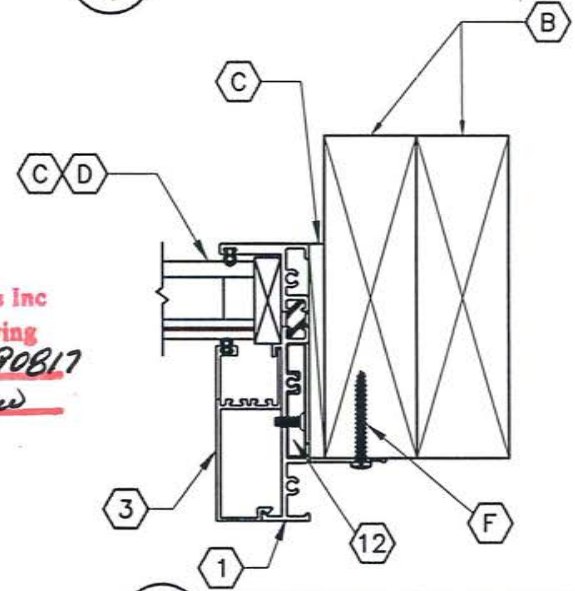
EXTERIOR



**3**  
**4** **HORIZONTAL CROSS SECTION**

INTERIOR

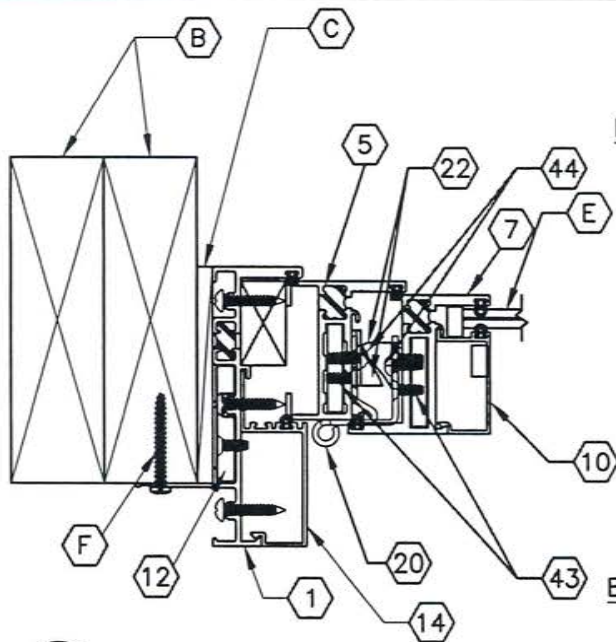
Testing Evaluation Laboratories Inc  
 Specimen Complies with Drawing  
 Deviations Noted - TEL # 01990817  
 Date 10.31.13 Verified by Jew



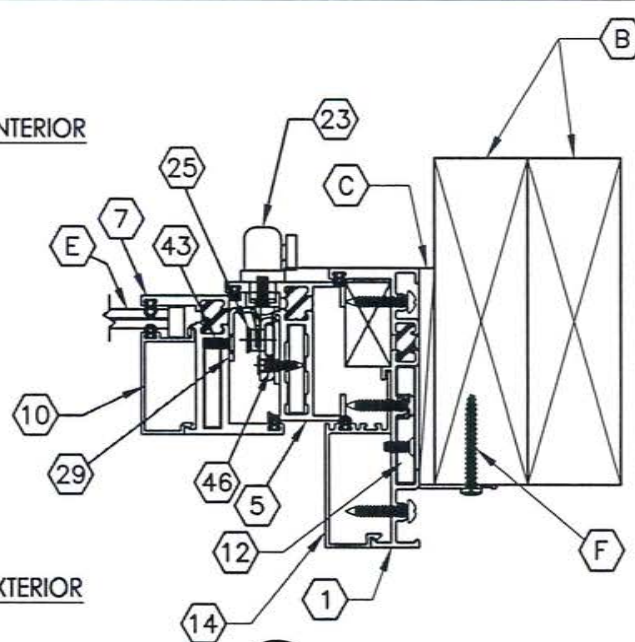
**4**  
**4** **HORIZONTAL CROSS SECTION**

EXTERIOR

PRODUCT:		FLEETWOOD KONA 3800 CASEMENT WINDOW	
PART OR ASSEMBLY:		HORIZONTAL CROSS SECTIONS	
NO.	DATE	BY	REVISIONS
RW BUILDING CONSULTANTS, INC. 813.659.9197			
DATE: 9/25/13			
SCALE: N.T.S.			
DWG. BY: JK			
CHK. BY: LFS			
DRAWING NO.: L-7032			
SHEET 4 OF 12			

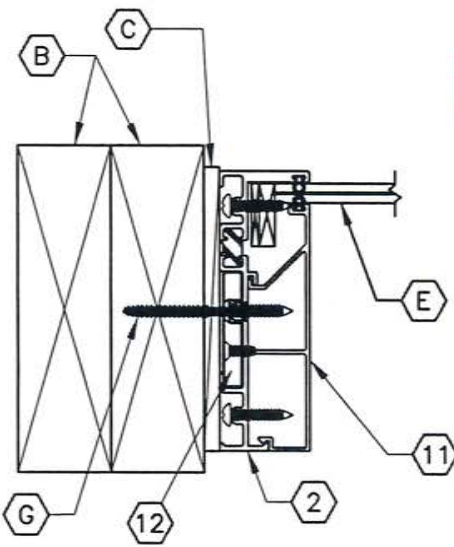


**1**  
**5** HORIZONTAL CROSS SECTION

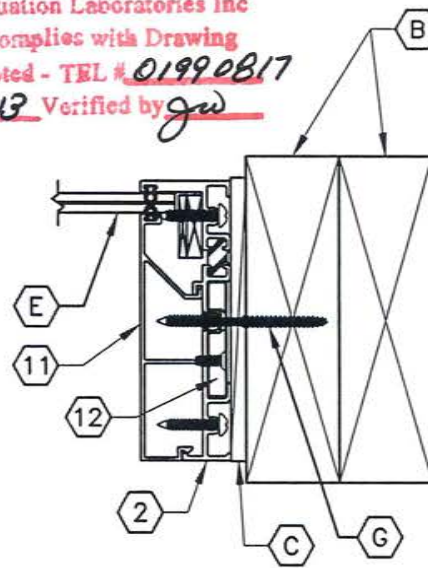


**2**  
**5** HORIZONTAL CROSS SECTION

Testing Evaluation Laboratories Inc  
 Specimen Complies with Drawing  
 Deviations Noted - TEL # 01990817  
 Date 10-31-13 Verified by *ju*

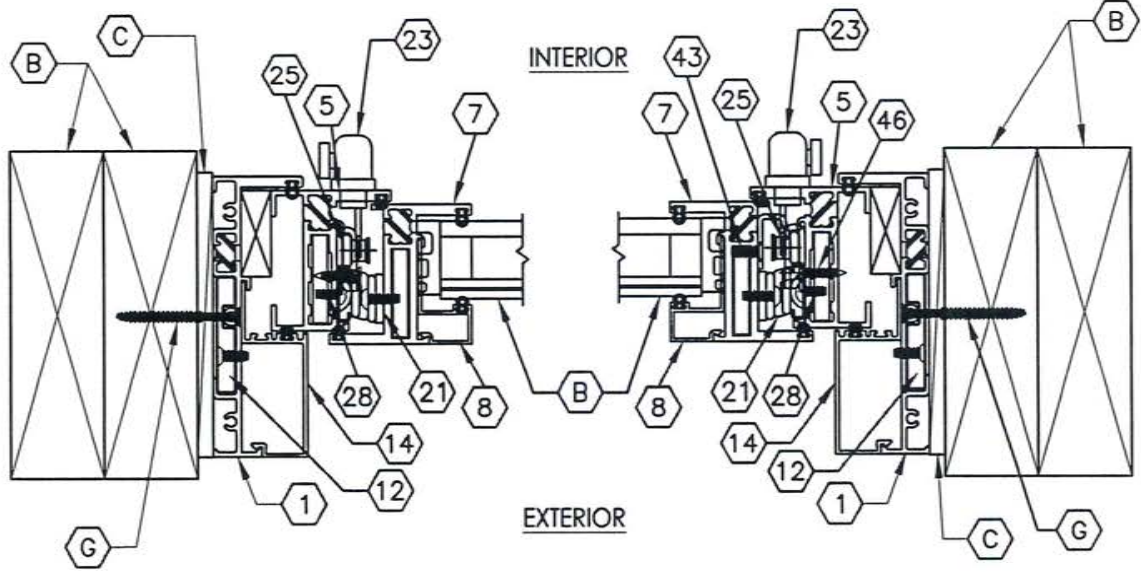


**3**  
**5** HORIZONTAL CROSS SECTION



**4**  
**5** HORIZONTAL CROSS SECTION

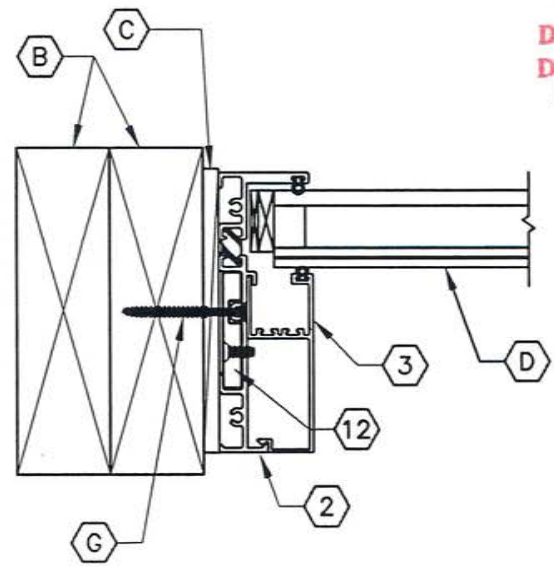
PRODUCT:		FLEETWOOD KONA 3800 CASEMENT WINDOW	
PART OR ASSEMBLY:		HORIZONTAL CROSS SECTIONS	
NO.	DATE	BY	REVISIONS
RW BUILDING CONSULTANTS, INC. 813.659.9197			
DATE: 9/25/13			
SCALE: N.T.S.			
DWG. BY: JK			
CHK. BY: LFS			
DRAWING NO.: L-7032			
SHEET 5 OF 12			



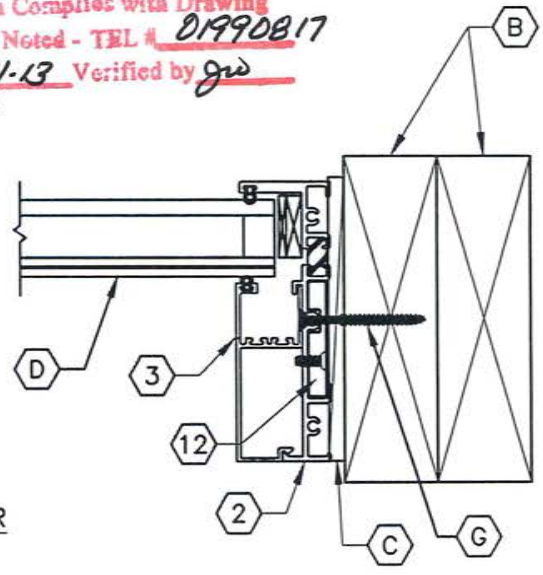
**1**  
**6** HORIZONTAL CROSS SECTION

**2**  
**6** HORIZONTAL CROSS SECTION

Testing Evaluation Laboratories Inc  
 Specimen Complies with Drawing  
 Deviations Noted - TEL # 01990817  
 Date 10-31-13 Verified by *gzw*

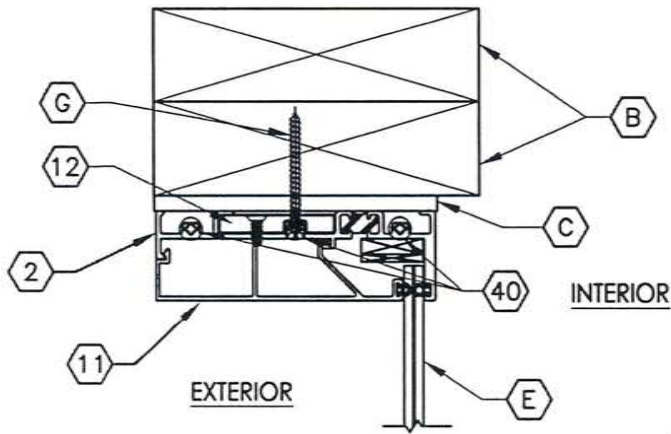


**3**  
**6** HORIZONTAL CROSS SECTION



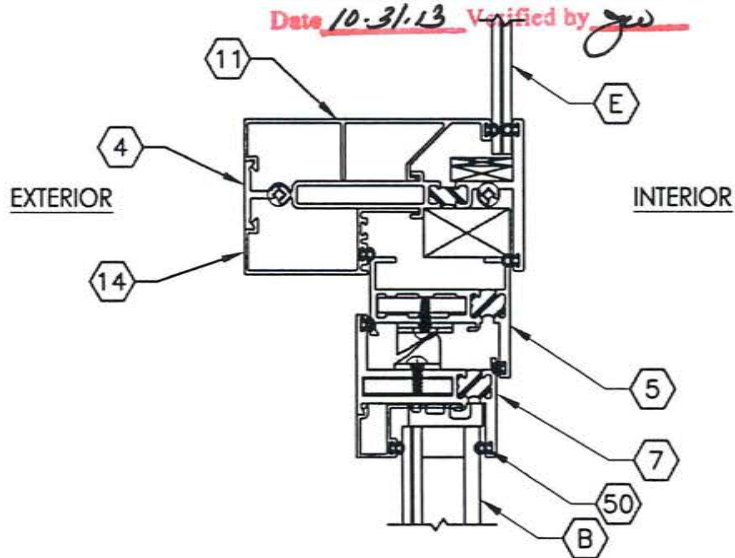
**4**  
**6** HORIZONTAL CROSS SECTION

PRODUCT: FLEETWOOD KONA 3800 CASEMENT WINDOW		PART OR ASSEMBLY: HORIZONTAL CROSS SECTIONS	
NO.	DATE	BY	REVISIONS
DATE: 9/25/13			
SCALE: N.T.S.			
DWG. BY: JK			
CHK. BY: LFS			
DRAWING NO.: L-7032			
SHEET 6 OF 12			

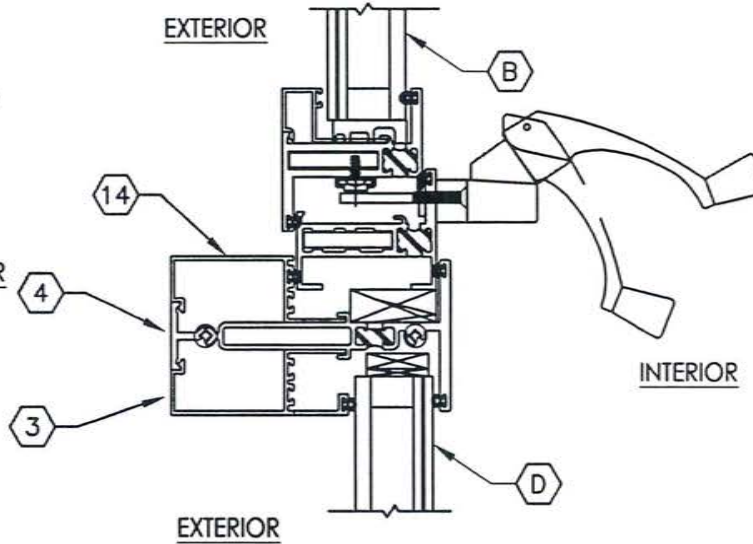


**1**  
**7** **VERTICAL CROSS SECTION**

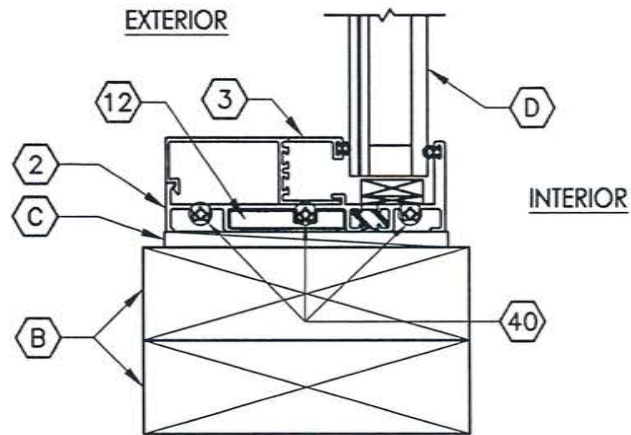
Testing Evaluation Laboratories Inc  
 Specimen Complies with Drawing  
 Deviations Noted - TEL # 01990817  
 Date 10-31-13 Verified by *JW*



**2**  
**7** **VERTICAL CROSS SECTION**

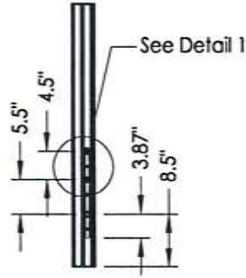
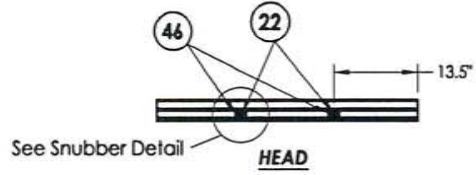


**3**  
**7** **VERTICAL CROSS SECTION**

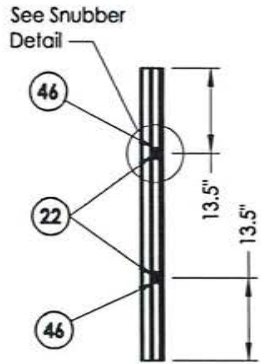
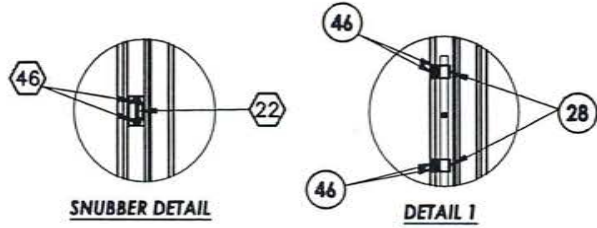


**4**  
**7** **VERTICAL CROSS SECTION**

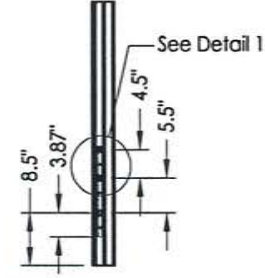
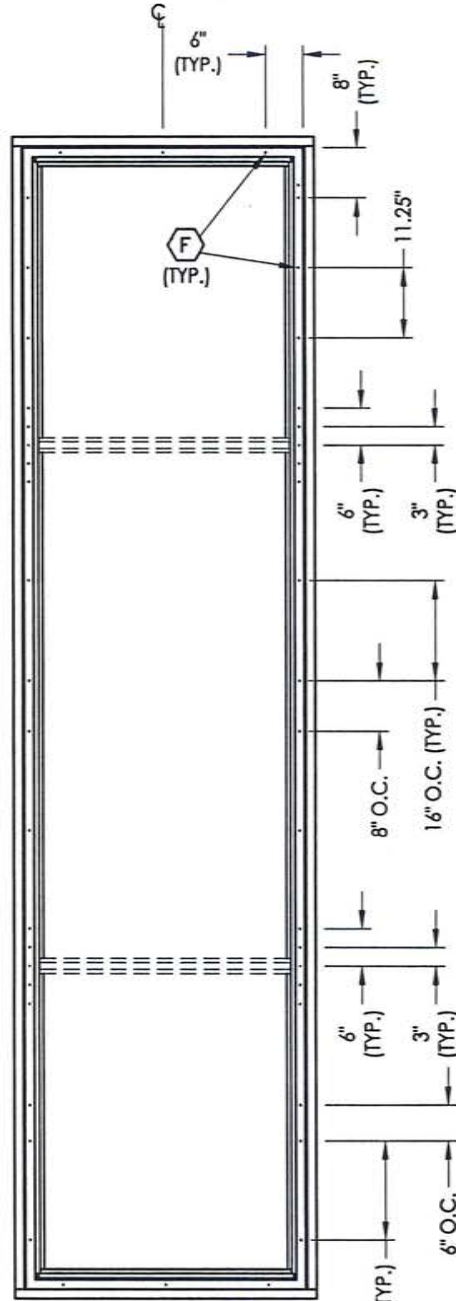
PRODUCT:		FLEETWOOD KONA 3800 CASEMENT WINDOW	
PART OR ASSEMBLY:		VERTICAL CROSS SECTIONS	
NO.	DATE	BY	REVISIONS
 RW BUILDING CONSULTANTS, INC. 813.659.9197			
DATE: 9/25/13			
SCALE: N.T.S.			
DWG. BY: JK			
CHK. BY: LFS			
DRAWING NO.: L-7032			
SHEET 7 of 12			



**LOCK JAMB**  
Single Point Lock  
(Jamb Sides Horizontal Awning)

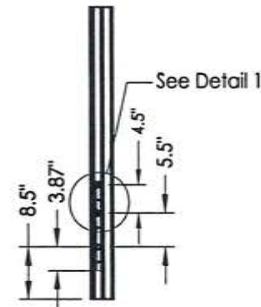


**SNUBBER JAMB**  
(Casement)



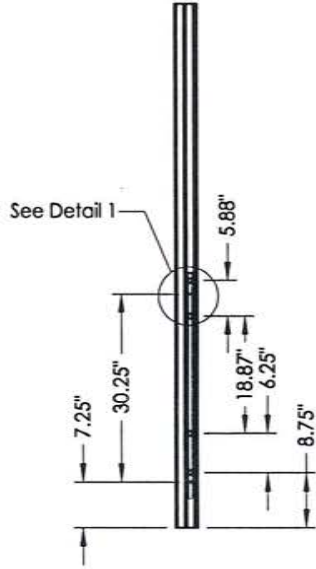
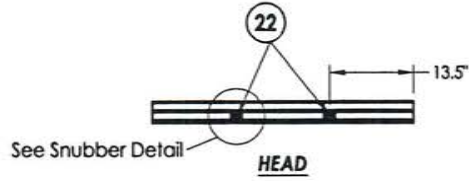
**LOCK JAMB**  
Single Point Lock  
(Jamb Sides Horizontal Awning)

Testing Evaluation Laboratories Inc  
Specimen Complies with Drawing  
Deviations Noted - TEL # 01990817  
Date 10-31-13 Verified by gw

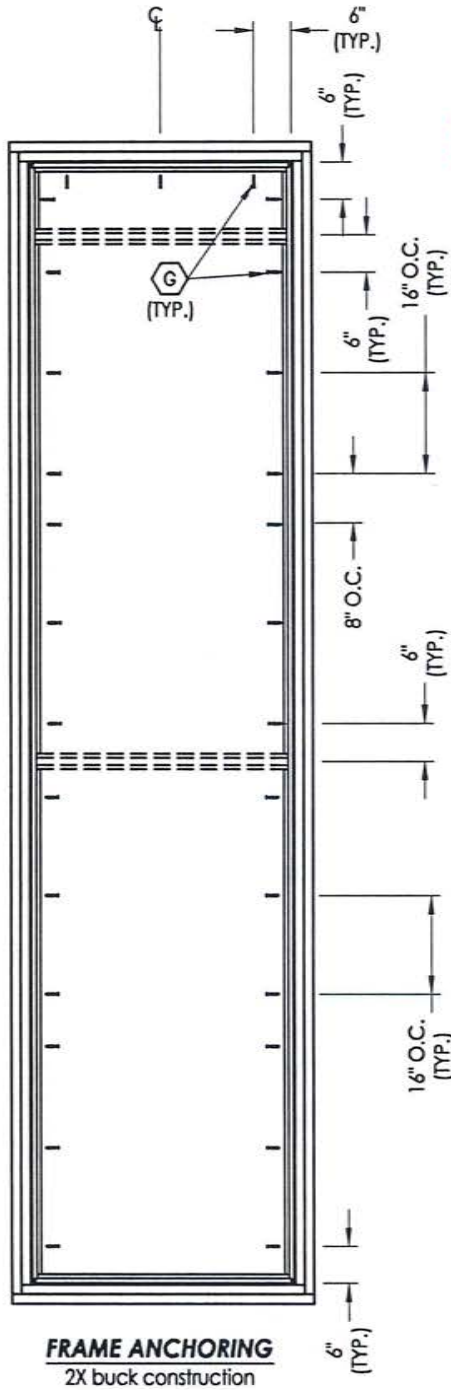
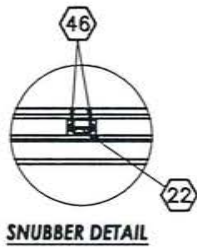


**LOCK JAMB**  
Two Point Lock  
(Casement)

PRODUCT:		FLEETWOOD KONA 3800 CASEMENT WINDOW	
PART OR ASSEMBLY:		FRAME ANCHORING	
NO.	DATE	REVISIONS	BY
DATE: 9/25/13			
SCALE: N.T.S.			
DWG. BY: JK			
CHK. BY: LFS			
DRAWING NO.:			
L-7032			
SHEET <u>8</u> of <u>12</u>			

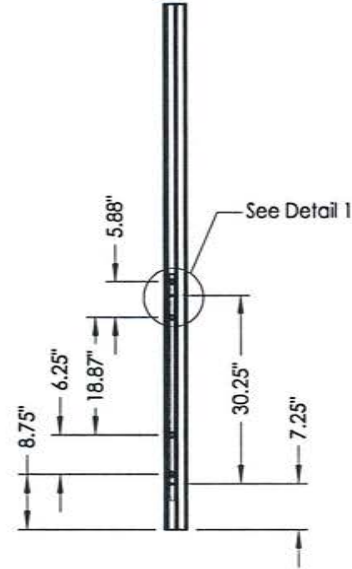


**LOCK JAMB**  
Two Point Lock  
(Casement)

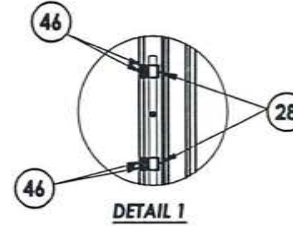


**FRAME ANCHORING**  
2X buck construction

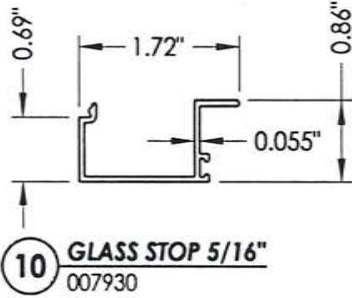
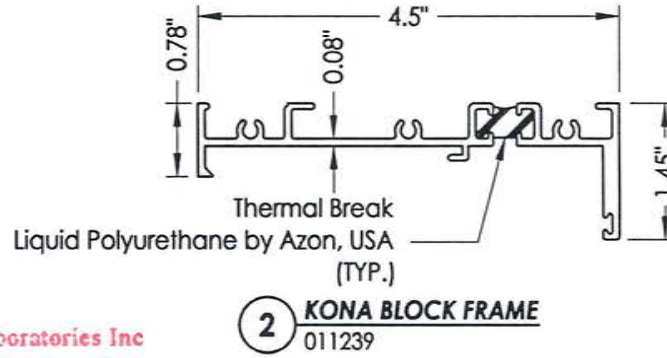
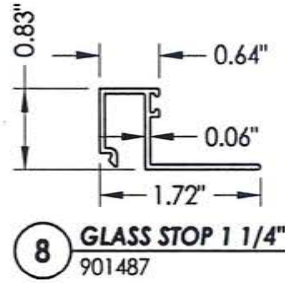
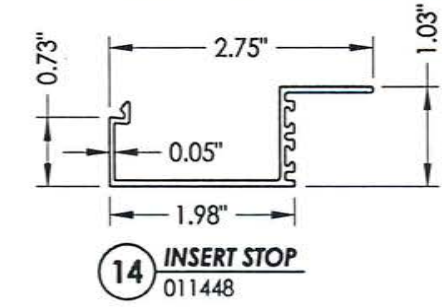
Testing Evaluation Laboratories Inc  
Specimen Complies with Drawing  
Deviations Noted - TEL # 01990817  
Date 10-31-13 Verified by *gwo*



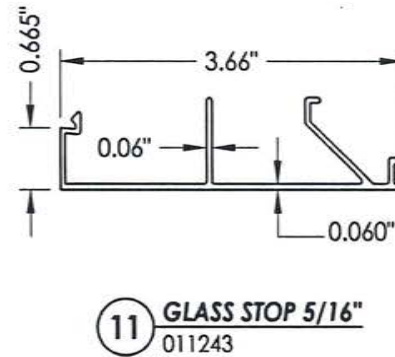
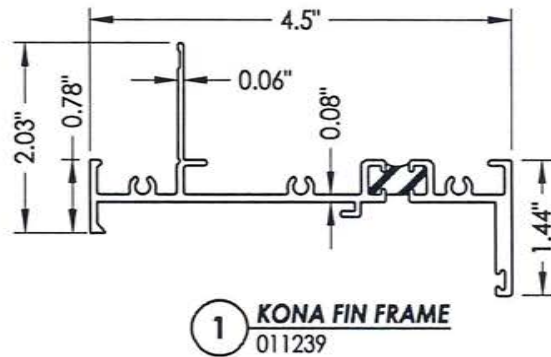
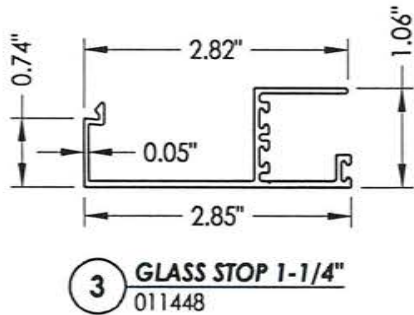
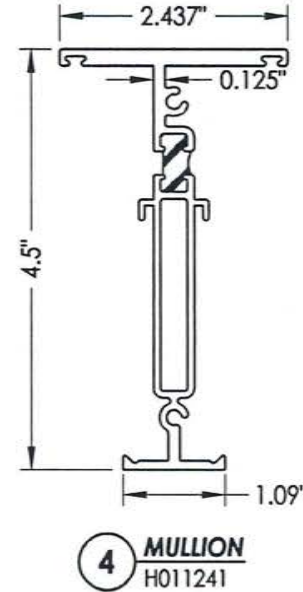
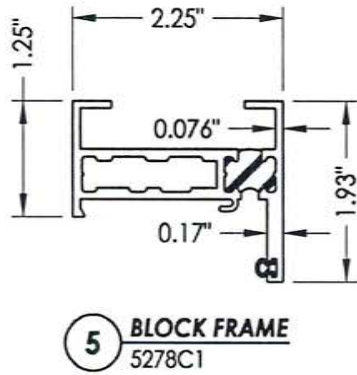
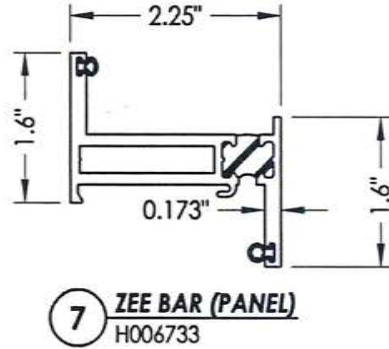
**LOCK JAMB**  
Two Point Lock  
(Casement)



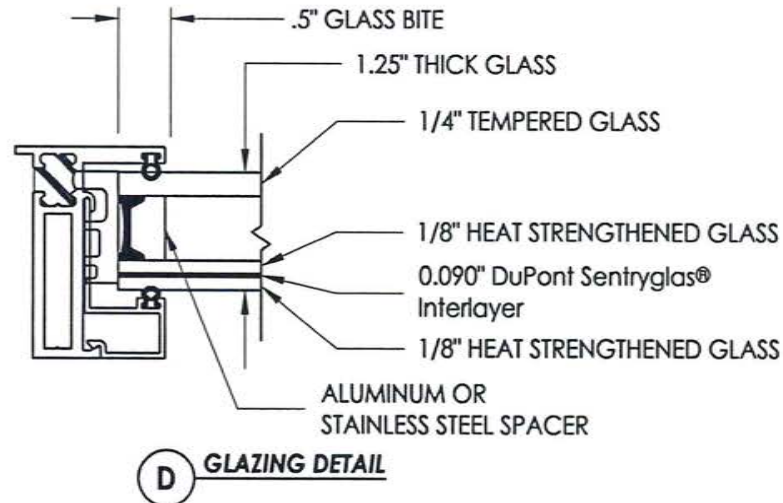
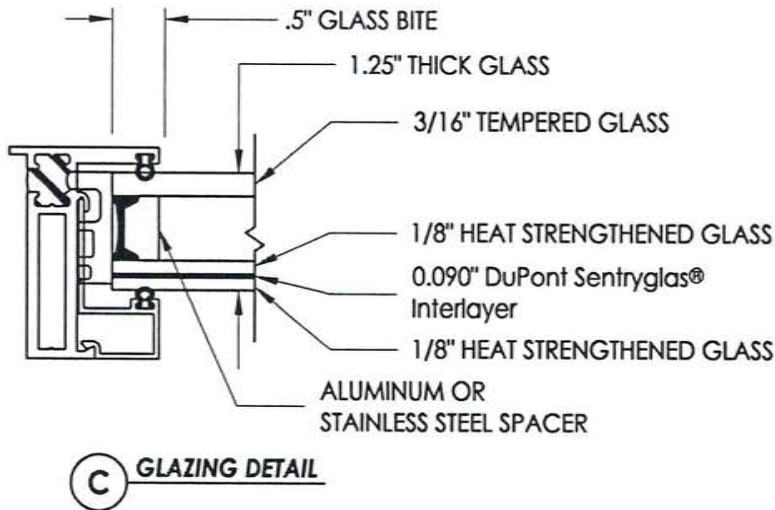
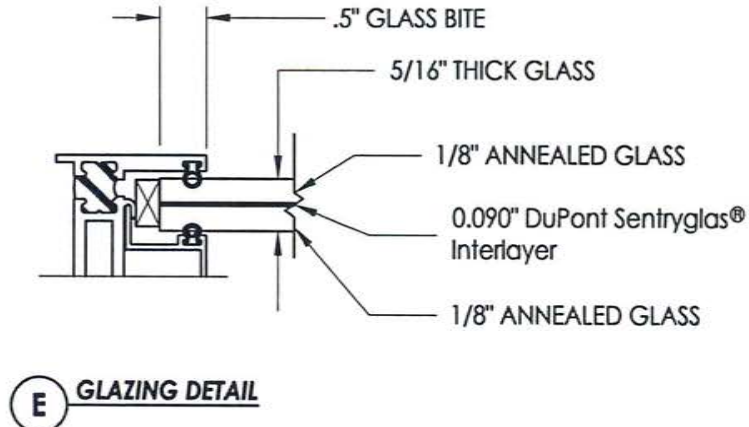
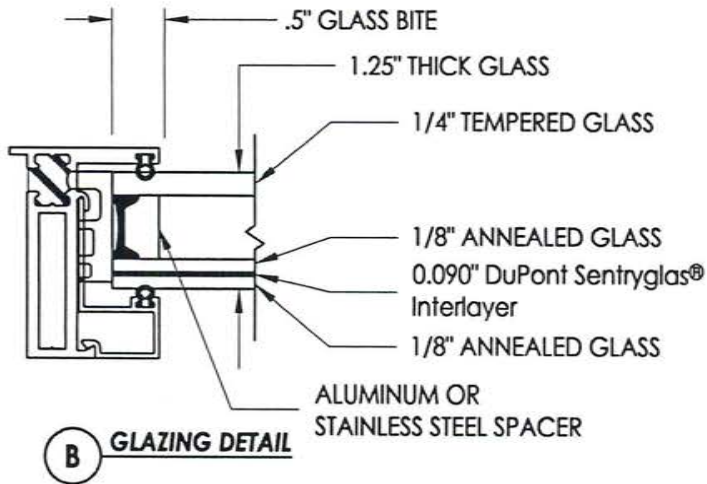
PRODUCT:		FLEETWOOD KONA 3800 CASEMENT WINDOW	
PART OR ASSEMBLY:		FRAME ANCHORING	
NO.	DATE	REVISIONS	
			BY
 <b>RW BUILDING CONSULTANTS, INC.</b> 813.659.9197			
DATE: 9/25/13			
SCALE: N.T.S.			
DWG. BY: JK			
CHK. BY: LFS			
DRAWING NO.: L-7032			
SHEET 9 OF 12			



Testing Evaluation Laboratories Inc  
Specimen Complies with Drawing  
Deviations Noted - TEL # 01990817  
Date 10.31.13 Verified by *[Signature]*



PRODUCT:		FLEETWOOD KONA 3800 CASEMENT WINDOW	
PART OR ASSEMBLY:		COMPONENTS	
NO.	DATE	REVISIONS	BY
 RW BUILDING CONSULTANTS, INC. 813.659.9197			
DATE: 9/25/13			
SCALE: N.T.S.			
DWG. BY: JK			
CHK. BY: LFS			
DRAWING NO.: L-7032			
SHEET 10 of 12			




Testing Evaluation Laboratories Inc  
 Specimen Complies with Drawing  
 Deviations Noted - TEL # 01990817  
 Date 10.31.13 Verified by *gzw*

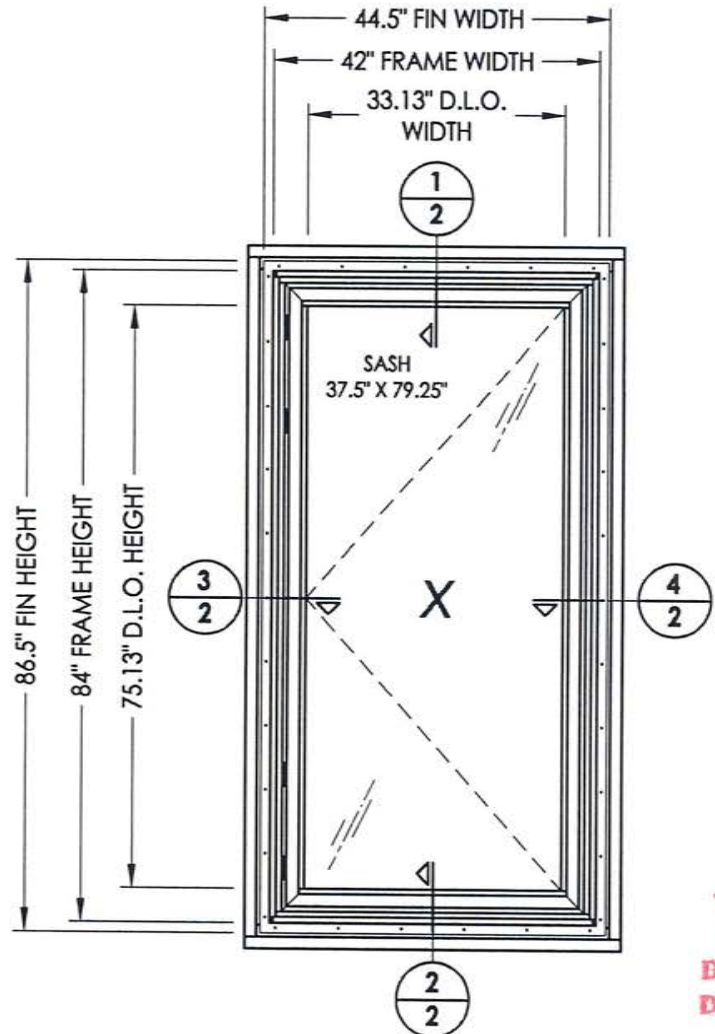
PRODUCT:		FLEETWOOD KONA 3800 CASEMENT WINDOW	
PART OR ASSEMBLY:		GLAZING DETAILS	
NO.	DATE	REVISIONS	BY
DATE: 9/25/13			
SCALE: N.T.S.			
DWG. BY: JK			
CHK. BY: LFS			
DRAWING NO.: L-7032			
SHEET 11 OF 12			

BILL OF MATERIALS		
ITEM #	DESCRIPTION	MATERIAL
B	2X BUCK SG >= 0.55	WOOD
C	1/4" MAX. SHIM SPACE	-
F	#10 x 1-1/2" PFH WOOD SCREW	STEEL
G	#10 x 2" PFH WOOD SCREW	STEEL
1	KONA FIN FRAME	6063-T6 ALUM
2	KONA BLOCK FRAME	6063-T6 ALUM
3	GLASS STOP 1 1/4"	6063-T6 ALUM
4	MULLION	6063-T6 ALUM
5	WESTWOOD BLOCK FRAME	6063-T6 ALUM
7	WESTWOOD ZEE BAR (PANEL)	6063-T6 ALUM
8	GLASS STOP 1 1/4"	6063-T6 ALUM
10	GLASS STOP 1/2"	6063-T6 ALUM
11	GLASS STOP 5/8"	6063-T6 ALUM
12	SHEAR BLOCK	ALUM
13	CORNER KEY	ALUM
14	INSERT STOP	ALUM
20	SS. BUTT HINGE	SS
21	4 BAR HINGE	SS
22	SNUBBER-COMMERCIAL PULL-IN BLOCK	ZINC ALLOY
23	MULTIPOINT LOCK HANDLE	SS
24	SINGLE POINT LOCKING BAR	SS
25	2 POINTS LOCKING BAR	SS
28	TIE BAR GUIDE	PLASTIC
29	KEEPER	SS
30	CASEMENT ROTOR GEAR 13.5"	SS
35	CAM HANDLE / STRIKE PLATE	SS
36	CASEMENT SS. TRACK	SS
37	AWNING SS. TRACK	SS
40	#10 X 1" PPH SMS	STEEL
42	MACHINE SCREW NO 10-32, FHP .75"	STEEL
43	SCREW NO 10 , UFHP .5"	STEEL
44	SCREW NO 8, PHP, .50"	STEEL

46	SCREW NO 8, FHP, .750"	STEEL
47	MACHINE SCREW NO 10-32, PHP .5"	STEEL
48	BACK UP NUTS	STEEL
50	BULB VINYL (EPDM 70 DUROMETER)-TREMCO	-
51	MINI BULB VINYL(EPDM 70 DUROMETER)-TREMCO	-
52	WOOD BLOCK .750" X 1.250"	-
53	ALUMINUM BLOCK .750" X 1.250"	-
54	PVC BLOCK .750" X 1.250"	-
55	SETTING BLOCK	-
56	SETTING BLOCK 4" x 1/4" x 1"	-
57	PIVOT SHIM	-
58	WOOD BLOCK .50" X 1.250"	-
59	ALUMINUM BLOCK .50" X 1.250"	-
60	PVC BLOCK .50" X 1.250"	-
61	SETTING BLOCK 4" x 1/8" x 1"	-

Testing Evaluation Laboratories Inc  
 Specimen Complies with Drawing  
 Deviations Noted - TEL # 01990817  
 Date 10.31.13 Verified by jm

PRODUCT:		FLEETWOOD KONA 3800 CASEMENT WINDOW	
PART OR ASSEMBLY:		BILL OF MATERIALS	
NO.	DATE	BY	REVISIONS
			
DATE: 9/25/13			
SCALE: N.T.S.			
DWG. BY: JK			
CHK. BY: LFS			
DRAWING NO.:			
L-7032			
SHEET 12 OF 12			

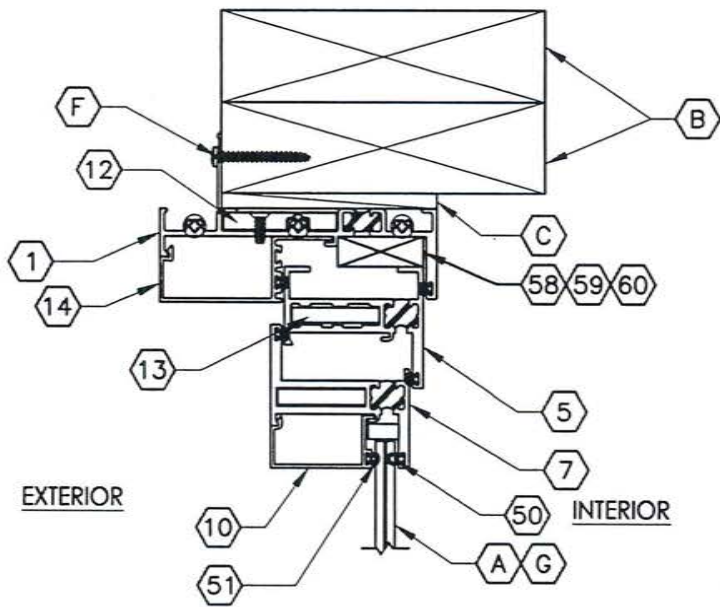


**SPEC# 2, 2A GLASS TYPE A**  
**SPEC# 5, 5A GLASS TYPE G**

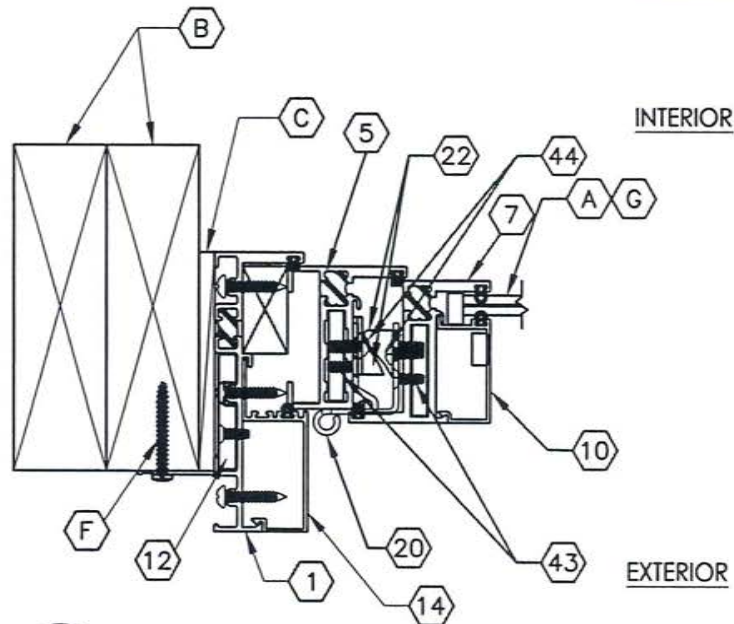
Testing Evaluation Laboratories Inc  
 Specimen Complies with Drawing  
 Deviations Noted - TEL # 01990817  
 Date 10-31-13 Verified by JW

TABLE OF CONTENTS	
SHEET #	DESCRIPTION
1	Table of contents and test elevation
2	Horizontal and vertical cross sections
3	Frame anchoring
4	Components and glazing details
5	Bill of materials

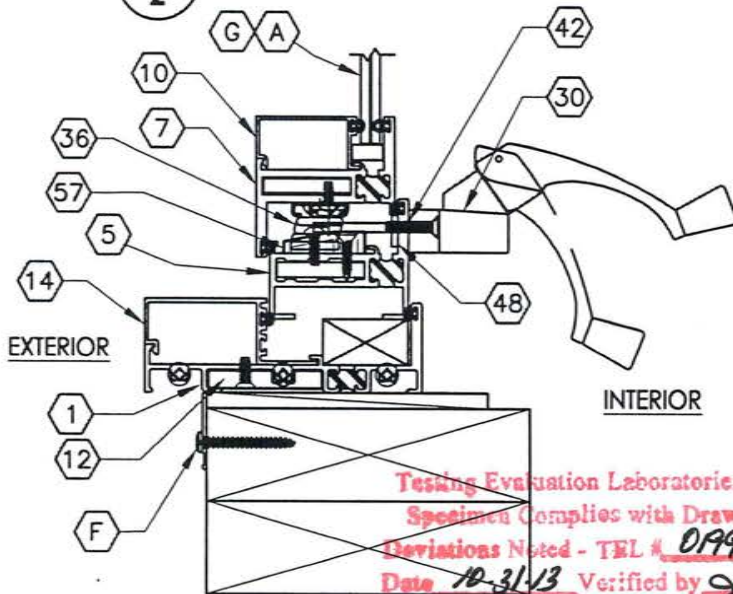
PRODUCT: FLEETWOOD KONA 3800 CASEMENT WINDOW		PART OR ASSEMBLY: TABLE OF CONTENTS AND TEST ELEVATION	
NO.	DATE	REVISIONS	BY
DATE: 9/25/13			
SCALE: N.T.S.			
DWG. BY: JK			
CHK. BY: LFS			
DRAWING NO.: L-7032A			
SHEET <u>1</u> OF <u>5</u>			



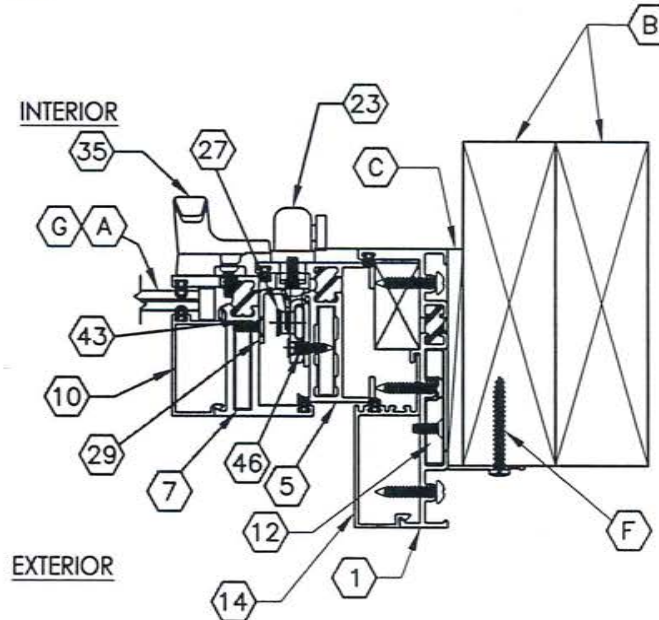
**1**  
**2** VERTICAL CROSS SECTION



**3**  
**2** HORIZONTAL CROSS SECTION




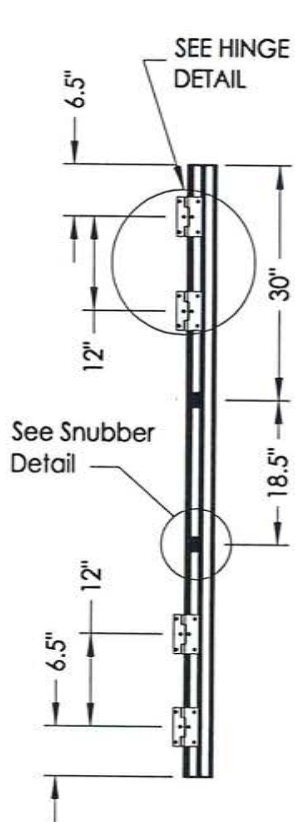
**2**  
**2** VERTICAL CROSS SECTION



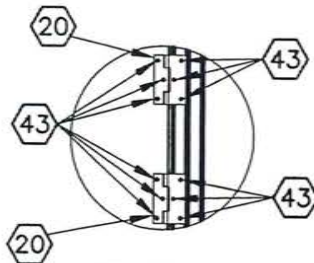
**4**  
**2** HORIZONTAL CROSS SECTION

Testing Evaluation Laboratories Inc  
 Specimen Complies with Drawing  
 Deviations Noted - TEL # 01990817  
 Date 10-31-13 Verified by *gn*

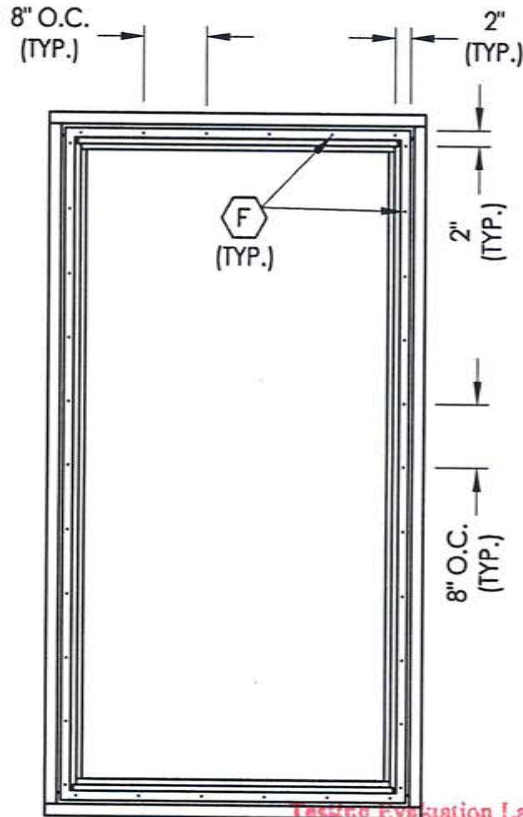
PRODUCT: FLEETWOOD KONA 3800 CASEMENT WINDOW		PART OR ASSEMBLY: HORIZONTAL AND VERTICAL CROSS SECTIONS	
NO.	DATE	BY	REVISIONS
 RW BUILDING CONSULTANTS, INC. 813.659.9197			
DATE: 9/25/13			
SCALE: N.T.S.			
DWG. BY: JK			
CHK. BY: LFS			
DRAWING NO.: L-7032A			
SHEET 2 OF 5			



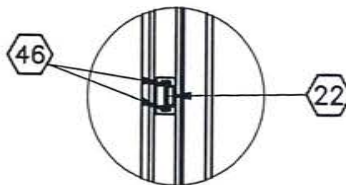
**HINGE JAMB**



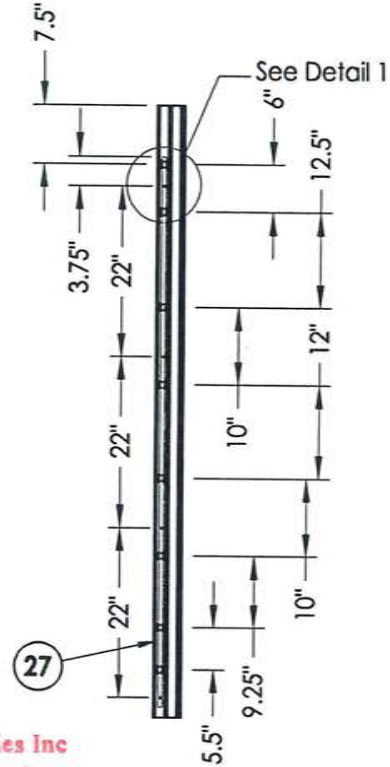
**HINGE DETAIL**



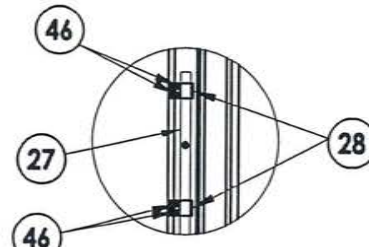
**FRAME ANCHORING**  
2X buck construction



**SNUBBER DETAIL**



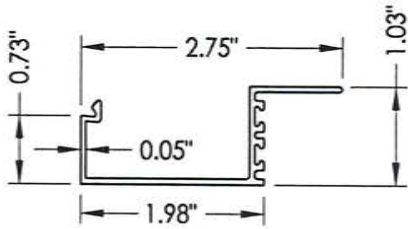
**LOCK JAMB**  
Locking Points (4)



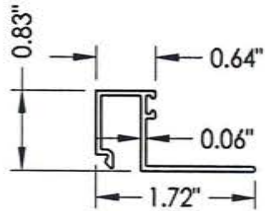
**DETAIL 1**

Testing Evaluation Laboratories Inc  
Specimen Complies with Drawing  
Deviations Noted - TEL # 01990817  
4/10/13 Verified by *gw*

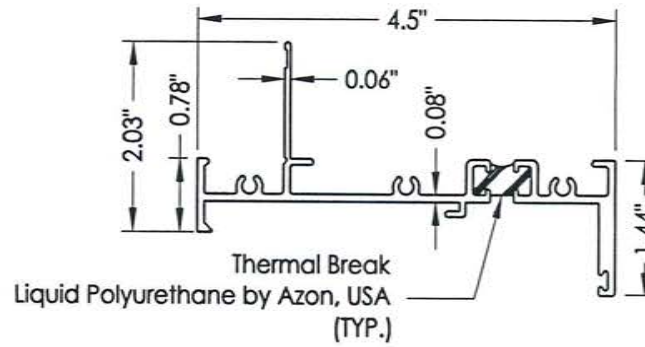
PRODUCT:		FLEETWOOD KONA 3800 CASEMENT WINDOW	
PART OR ASSEMBLY:		FRAME ANCHORING	
NO.	DATE	REVISIONS	BY
DATE: 9/25/13			
SCALE: N.T.S.			
DWG. BY: JK			
CHK. BY: LFS			
DRAWING NO.:			
L-7032A			
SHEET 3 OF 5			



**14** INSERT STOP  
011448

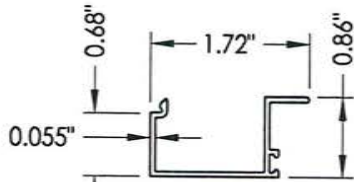


**8** GLASS STOP 1-1/4"  
901487

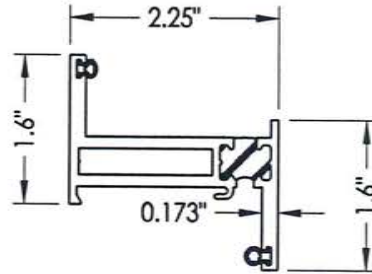


**1** KONA FIN FRAME  
011239

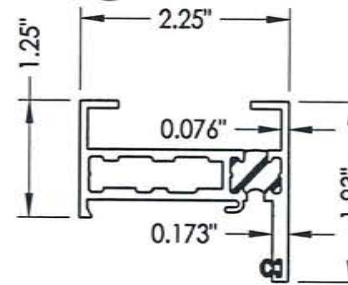
Testing Evaluation Laboratories Inc  
Specimen Complies with Drawing  
Deviations Noted - TEL # 01990817  
Date 10.31.13 Verified by Jed



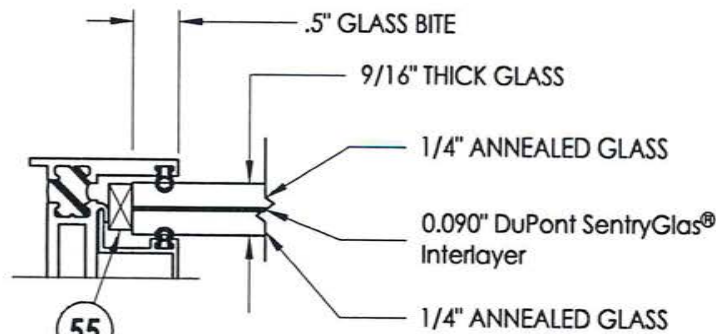
**10** GLASS STOP 9/16"  
007930



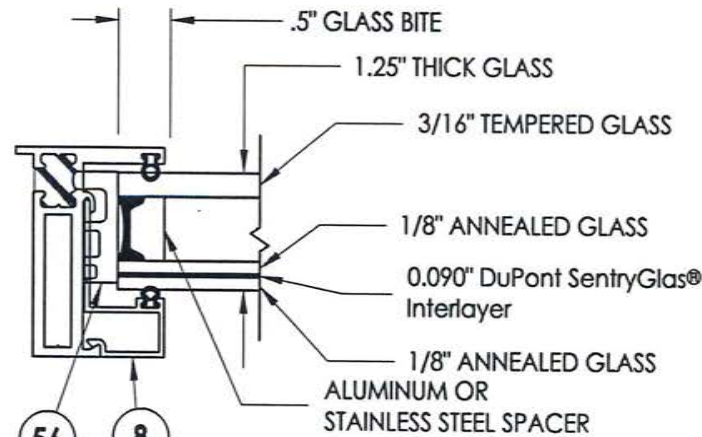
**7** ZEE BAR (PANEL)  
H006733



**5** BLOCK FRAME  
5278C1



**G** GLAZING DETAIL  
Spec #5, 5A



**A** GLAZING DETAIL  
Spec. #2, 2A

PRODUCT:		FLEETWOOD KONA 3800 CASEMENT WINDOW	
PART OR ASSEMBLY:		COMPONENTS AND GLAZING DETAILS	
NO.	DATE	REVISIONS	BY
DATE: 9/25/13			
SCALE: N.T.S.			
DWG. BY: JK			
CHK. BY: LFS			
DRAWING NO.:			
L-7032A			
SHEET <u>4</u> OF <u>5</u>			

BILL OF MATERIALS		
ITEM #	DESCRIPTION	MATERIAL
B	2X BUCK SG >= 0.55	WOOD
C	1/4" MAX. SHIM SPACE	-
F	#10 x 1-1/2" PPH WOOD SCREW	STEEL
G	#10 x 2" PFH WOOD SCREW	STEEL
1	KONA FIN FRAME	6063-T6 ALUM
5	WESTWOOD BLOCK FRAME	6063-T6 ALUM
7	WESTWOOD ZEE BAR (PANEL)	6063-T6 ALUM
8	GLASS STOP 1 1/4"	6063-T6 ALUM
10	GLASS STOP 1/2"	6063-T6 ALUM
12	SHEAR BLOCK	ALUM
13	CORNER KEY	ALUM
14	INSERT STOP	ALUM
20	SS. BUTT HINGE	SS
22	SNUBBER-COMMERCIAL PULL-IN BLOCK	SS
23	MULTIPOINT LOCK HANDLE	SS
27	4 POINTS LOCKING BAR	SS
28	TIE BAR GUIDE	PLASTIC
29	KEEPER	SS
30	CASEMENT ROTOR GEAR 13.5"	SS
35	CAM HANDLE / STRIKE PLATE	SS
36	CASEMENT SS. TRACK	SS
42	MACHINE SCREW NO 10-32, FHP .75"	STEEL
43	SCREW NO 10, UFHP .5"	STEEL
44	SCREW NO 8, PHP, .50"	STEEL
46	SCREW NO 8, FHP, .750"	STEEL
48	BACK UP NUTS	STEEL
50	BULB VINYL (EPDM 70 DUROMETER)-TREMCO	-
51	MINI BULB VINYL(EPDM 70 DUROMETER)-TREMCO	-
55	SETTING BLOCK	-

56	SETTING BLOCK 4" x 1/4" x 1"	-
57	PIVOT SHIM	-
58	WOOD BLOCK .50" X 1.250"	-
59	ALUMINUM BLOCK .50" X 1.250"	-
60	PVC BLOCK .50" X 1.250"	-

Testing Evaluation Laboratories Inc  
 Specimen Complies with Drawing  
 Deviations Noted - TEL # 01990817  
 Date 10-31-13 Verified by gjd


PRODUCT: FLEETWOOD KONA 3800 CASEMENT WINDOW		PART OR ASSEMBLY: BILL OF MATERIALS	
NO.	DATE	BY	REVISIONS
 RW BUILDING CONSULTANTS, INC. 813.659.9197			
DATE: 9/25/13			
SCALE: N.T.S.			
DWG. BY: JK			
CHK. BY: LFS			
DRAWING NO.: L-7032A			
SHEET 5 OF 5			

TABLE OF CONTENTS	
SHEET #	DESCRIPTION
1	Table of contents
2	Test elevation
3	Horizontal and vertical cross sections
4	Horizontal and vertical cross sections
5	Frame anchoring
6	Frame anchoring
7	Components
8	Glazing details
9	Bill of materials

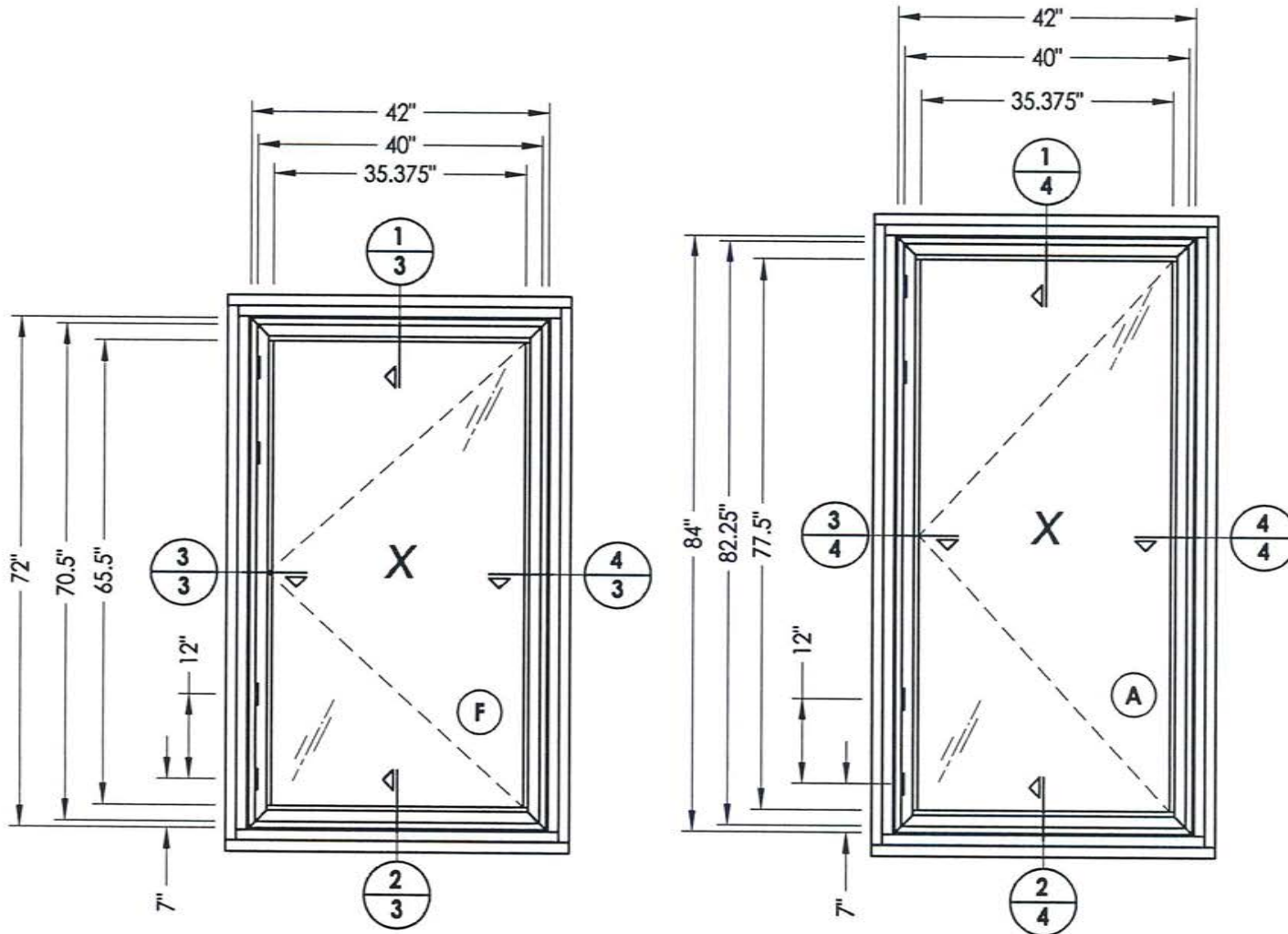
Testing Evaluation Laboratories Inc  
 Specimen Complies with Drawing  
 Deviations Noted - TEL # 01990817  
 Date ~~10-13-11~~ 10-31-13 Verified by JW



DATE: 9/25/13  
 SCALE: N.T.S.  
 DWG. BY: JK  
 CHK. BY: LFS  
 DRAWING NO.: L-7033  
 SHEET 1 of 9

PRODUCT: FLEETWOOD  
 KONA 3800 CASEMENT WINDOW  
 PART OR ASSEMBLY: TABLE OF CONTENTS

NO.	DATE	BY	REVISIONS

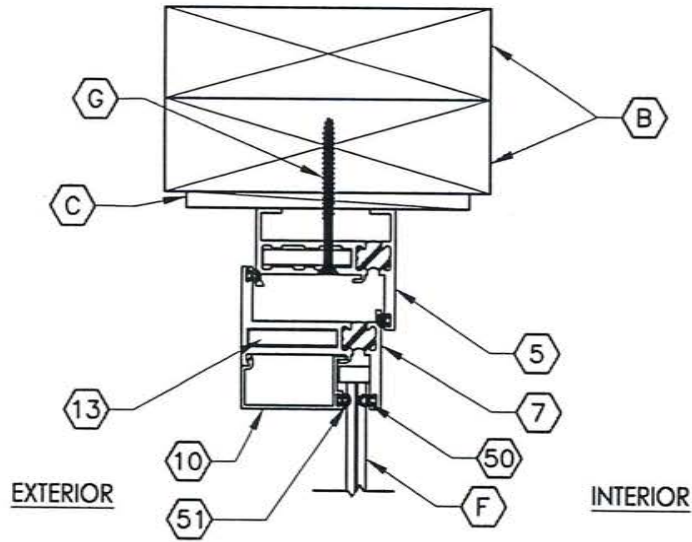


**SPEC# 12, 12A**

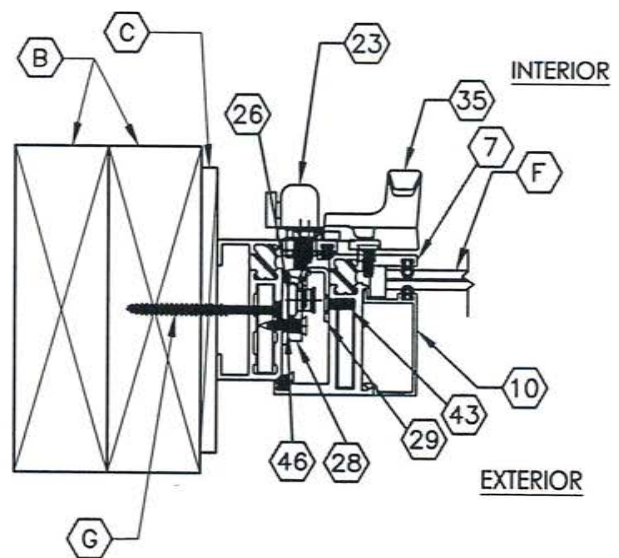
**SPEC# 6, 6A**

Testing Evaluation Laboratories Inc  
 Specimen Complies with Drawing  
 Deviations Noted - TEL # 01990817  
 Date 10-31-13 Verified by JW

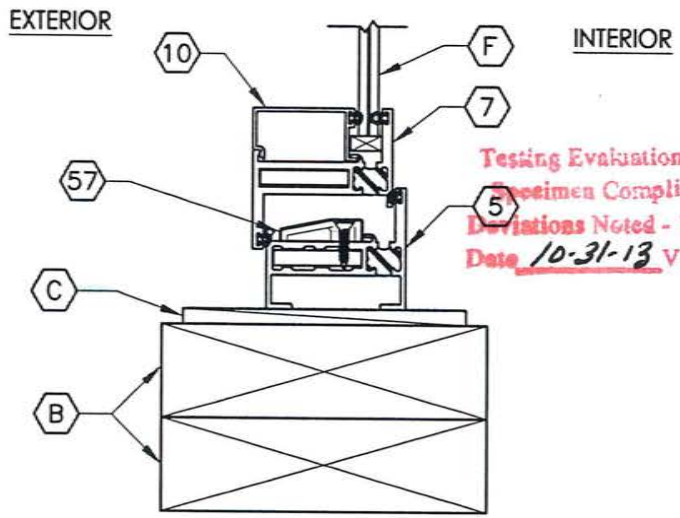
PRODUCT:		FLEETWOOD KONA 3800 CASEMENT WINDOW	
PART OR ASSEMBLY:		TEST ELEVATION	
NO.	DATE	REVISIONS	BY
RW BUILDING CONSULTANTS, INC. 813.659.9197			
DATE: 9/25/13			
SCALE: N.T.S.			
DWG. BY: JK			
CHK. BY: LFS			
DRAWING NO.: L-7033			
SHEET <u>2</u> OF <u>9</u>			



**1**  
**3** VERTICAL CROSS SECTION

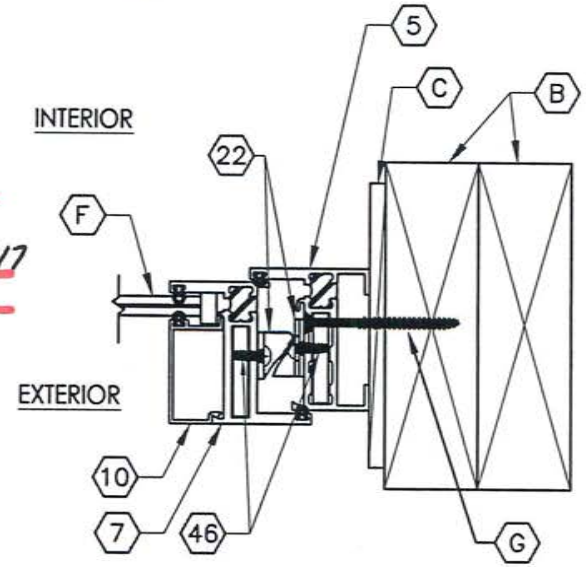


**3**  
**3** HORIZONTAL CROSS SECTION



**2**  
**3** VERTICAL CROSS SECTION

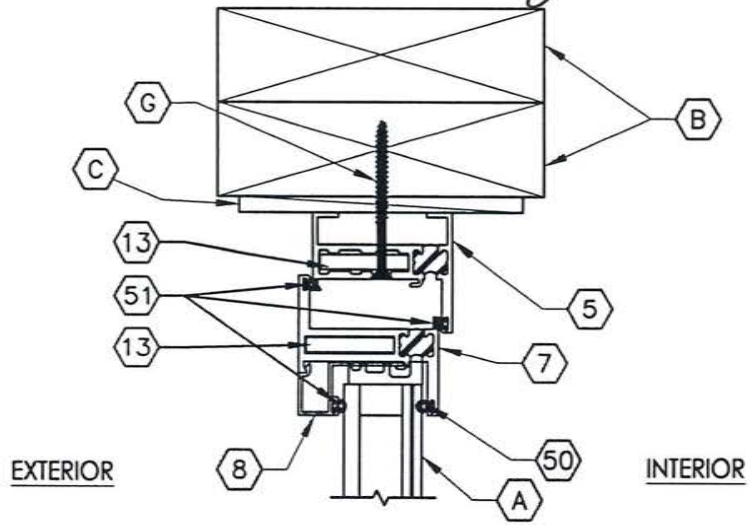
Testing Evaluation Laboratories Inc  
 Specimen Complies with Drawing  
 Deviations Noted - TEL # 019908017  
 Date 10-31-13 Verified by *gw*



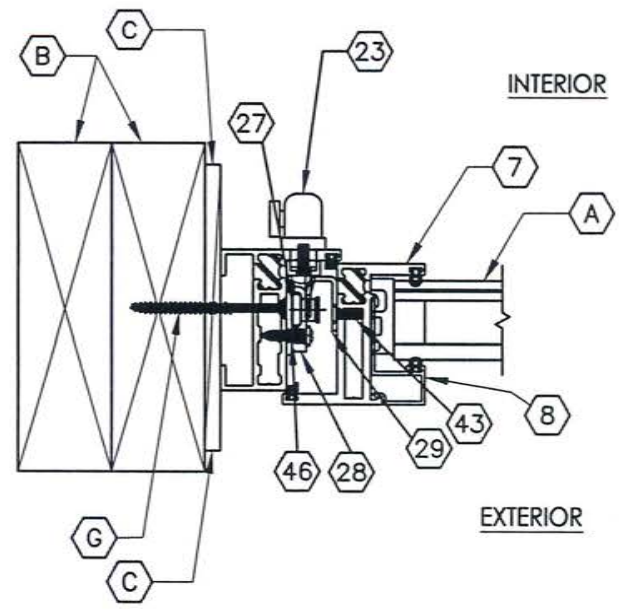
**4**  
**3** HORIZONTAL CROSS SECTION

PRODUCT:		FLEETWOOD KONA 3800 CASEMENT WINDOW	
PART OR ASSEMBLY:		HORIZONTAL AND VERTICAL CROSS SECTIONS	
NO.	DATE	REVISIONS	BY
DATE: 9/25/13			
SCALE: N.T.S.			
DWG. BY: JK			
CHK. BY: LFS			
DRAWING NO.: L-7033			
SHEET 3 OF 9			

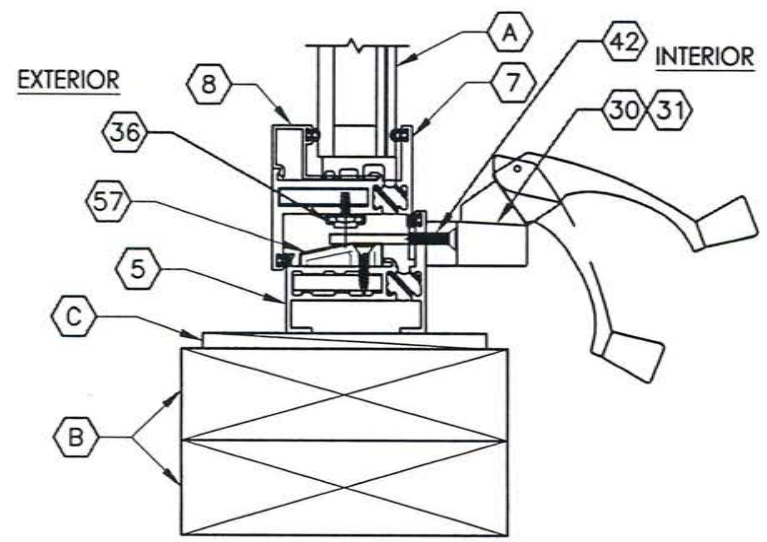
Testing Evaluation Laboratories Inc  
 Specimen Complies with Drawing  
 Deviations Noted - TEL # 01990817  
 Date 10-31-13 Verified by gw



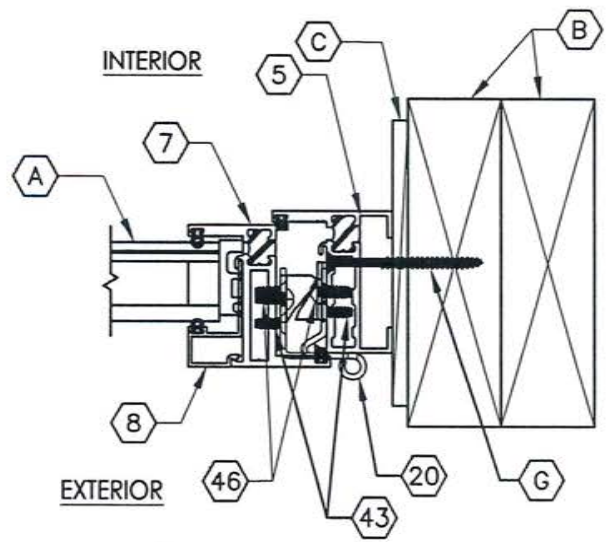
**1**  
4 **VERTICAL CROSS SECTION**




**3**  
4 **HORIZONTAL CROSS SECTION**



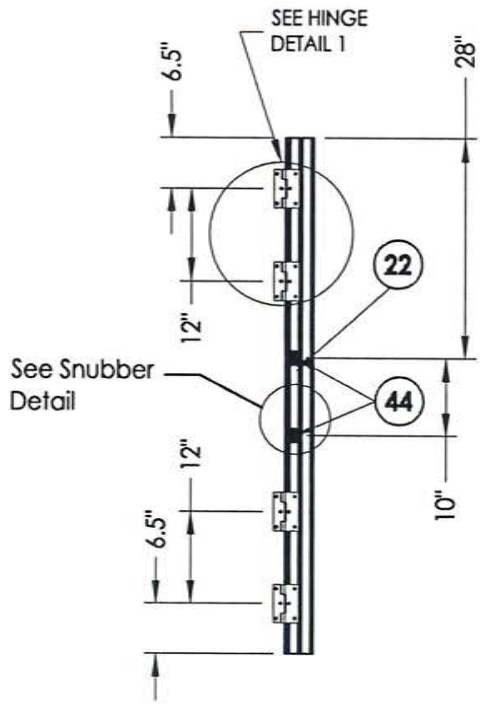
**2**  
4 **VERTICAL CROSS SECTION**



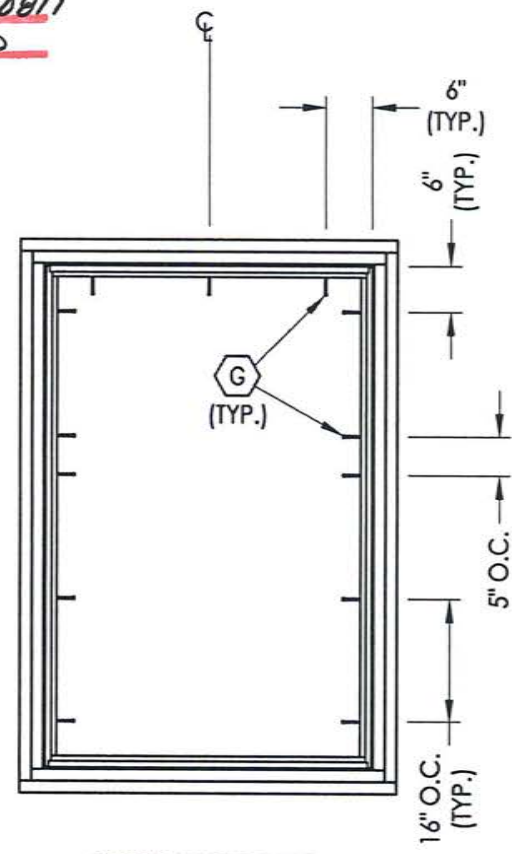
**4**  
4 **HORIZONTAL CROSS SECTION**

PRODUCT:		FLEETWOOD KONA 3800 CASEMENT WINDOW	
PART OR ASSEMBLY:		HORIZONTAL AND VERTICAL CROSS SECTIONS	
NO.	DATE	BY	REVISIONS
			
DATE: 9/25/13			
SCALE: N.T.S.			
DWG. BY: JK			
CHK. BY: LFS			
DRAWING NO.:			
L-7033			
SHEET 4 OF 9			

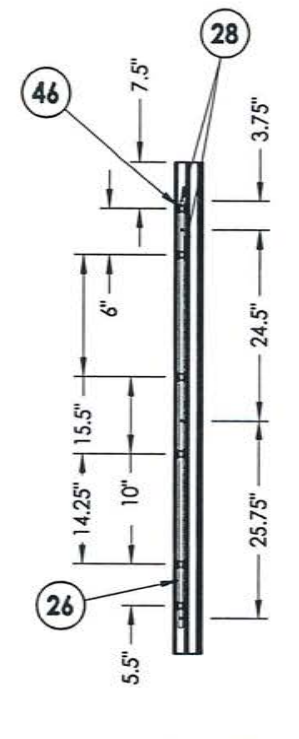
Testing Evaluation Laboratories Inc  
 Specimen Complies with Drawing  
 Deviations Noted - TEL # 01990817  
 Date 10-31-13 Verified by JW



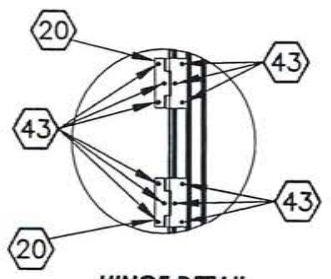
**SNUBBER JAMB**



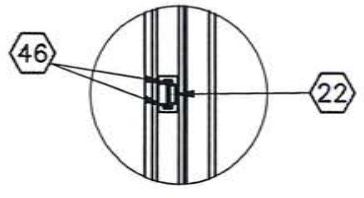
**FRAME ANCHORING**  
2X buck construction



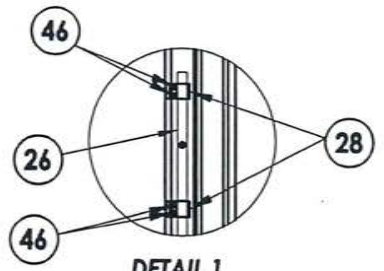
**LOCK JAMB**  
Locking Points (3)



**HINGE DETAIL**



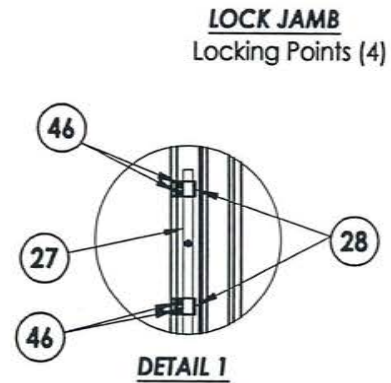
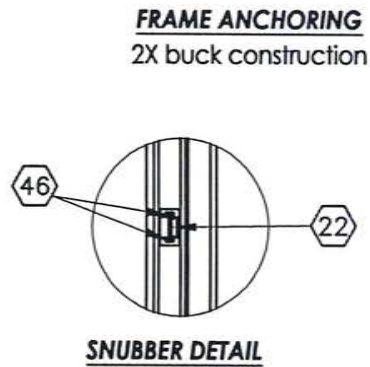
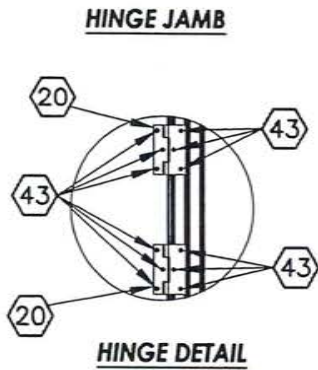
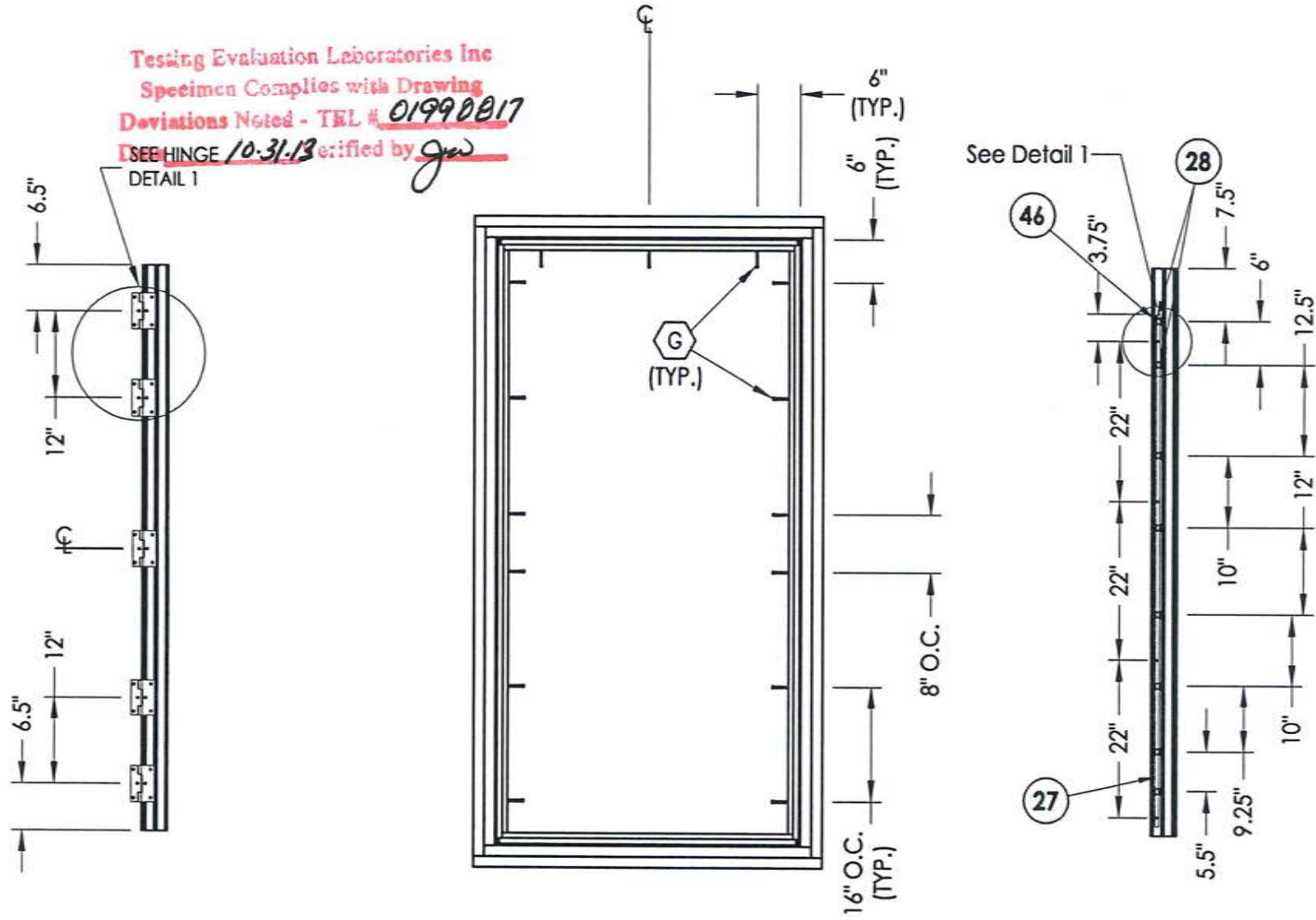
**SNUBBER DETAIL**



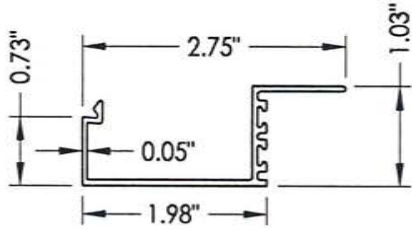
**DETAIL 1**

PRODUCT:		FLEETWOOD KONA 3800 CASEMENT WINDOW	
PART OR ASSEMBLY:		FRAME ANCHORING	
NO.	DATE	REVISIONS	BY
DATE: 9/25/13			
SCALE: N.T.S.			
DWG. BY: JK			
CHK. BY: LFS			
DRAWING NO.: L-7033			
SHEET 5 OF 9			

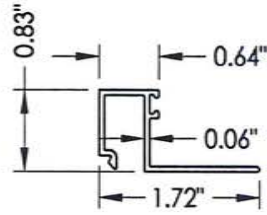
Testing Evaluation Laboratories Inc  
 Specimen Complies with Drawing  
 Deviations Noted - TEL # 01990817  
 [SEE HINGE 10-31-13] Certified by *gaw*



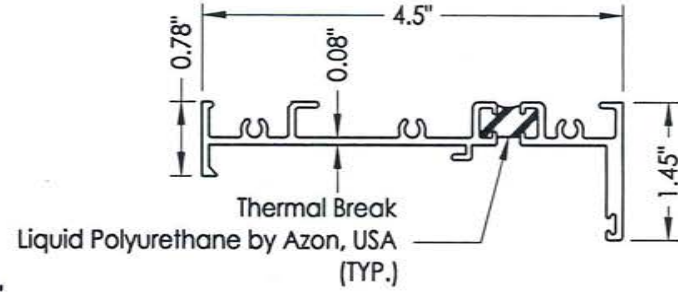
PRODUCT: FLEETWOOD KONA 3800 CASEMENT WINDOW		PART OR ASSEMBLY: FRAME ANCHORING	
NO.	DATE	REVISIONS	BY
 RW BUILDING CONSULTANTS, INC. 813.659.9197			
DATE: 9/25/13			
SCALE: N.T.S.			
DWG. BY: JK			
CHK. BY: LFS			
DRAWING NO.: L-7033			
SHEET 6 OF 9			



**14 INSERT STOP**  
011448

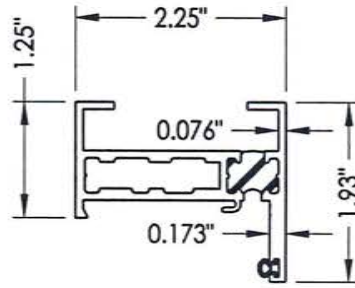


**8 GLASS STOP 1-1/4"**  
901487

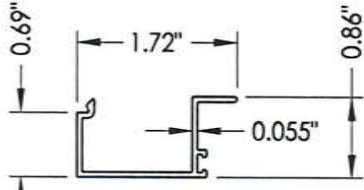


**2 KONA BLOCK FRAME**  
011239

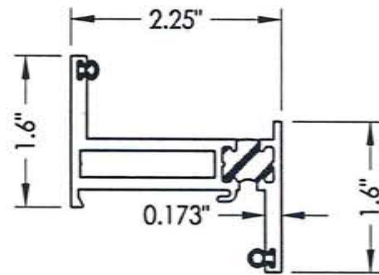
Testing Evaluation Laboratories Inc  
Specimen Complies with Drawing  
Deviations Noted - TEL # 01990817  
Date 10-31-13 Verified by JW



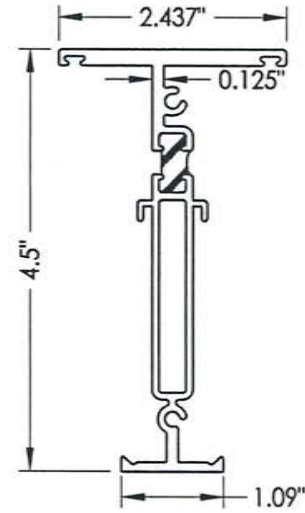
**5 BLOCK FRAME**  
5278C1



**10 GLASS STOP 5/16", 7/16"**  
007930



**7 ZEE BAR (PANEL)**  
H006733



**4 MULLION**  
H011241

PRODUCT:		FLEETWOOD KONA 3800 CASEMENT WINDOW	
PART OR ASSEMBLY:		COMPONENTS	
NO.	DATE	BY	REVISIONS
DATE: 9/25/13			
SCALE: N.T.S.			
DWG. BY: JK			
CHK. BY: LFS			
DRAWING NO.: L-7033			
SHEET 7 OF 9			



**BILL OF MATERIALS**

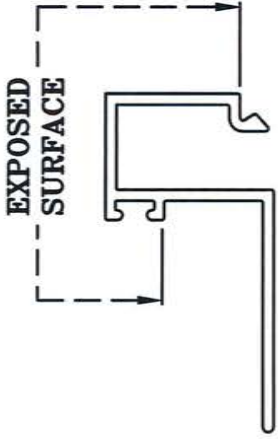
ITEM #	DESCRIPTION	MATERIAL
B	2X BUCK SG >= 0.55	WOOD
C	1/4" MAX. SHIM SPACE	-
G	#10 x 2" PFH WOOD SCREW	STEEL
2	KONA BLOCK FRAME	6063-T6 ALUM
4	MULLION	6063-T6 ALUM
5	WESTWOOD BLOCK FRAME	6063-T6 ALUM
7	WESTWOOD ZEE BAR (PANEL)	6063-T6 ALUM
8	GLASS STOP (1-1/4")	6063-T6 ALUM
10	GLASS STOP (7/16")	6063-T6 ALUM
13	CORNER KEY	ALUM
14	INSERT STOP	ALUM
20	SS. BUTT HINGE	SS
21	4 BAR HINGE	SS
22	SNUBBER	ZINC ALLOY
23	MULTIPOINT LOCK HANDLE	SS
26	3 POINTS LOCKING BAR	SS
27	4 POINTS LOCKING BAR	SS
28	TIE BAR GUIDE	PLASTIC
29	KEEPER	SS
30	CASEMENT ROTOR GEAR 13.5"	SS
35	CAM HANDLE / STRIKE PLATE	SS
36	CASEMENT SS. TRACK	SS
40	#10 X 1" PPH SMS	STEEL
42	MACHINE SCREW NO 10-32, FHP .75"	STEEL
43	SCREW NO 10 , UFHP .5"	STEEL
44	SCREW NO 8, PHP, .50"	STEEL
46	SCREW NO 8, FHP, .750"	STEEL
47	MACHINE SCREW NO 10-32, PHP .5"	STEEL
48	BACK UP NUTS	STEEL
50	BULB VINYL (EPDM 70 DUROMETER)-TREMCO	-

51	MINI BULB VINYL(EPDM 70 DUROMETER)-TREMCO	-
52	WOOD BLOCK .750" X 1.250"	-
53	ALUMINUM BLOCK .750" X 1.250"	-
54	PVC BLOCK .750" X 1.250"	-
55	SETTING BLOCK	-
56	SETTING BLOCK 4" x 1/4" x 1"	-
57	PIVOT SHIM	-
58	WOOD BLOCK .50" X 1.250"	-
59	ALUMINUM BLOCK .50" X 1.250"	-
60	PVC BLOCK .50" X 1.250"	-
61	SETTING BLOCK 4" x 1/8" x 1"	-

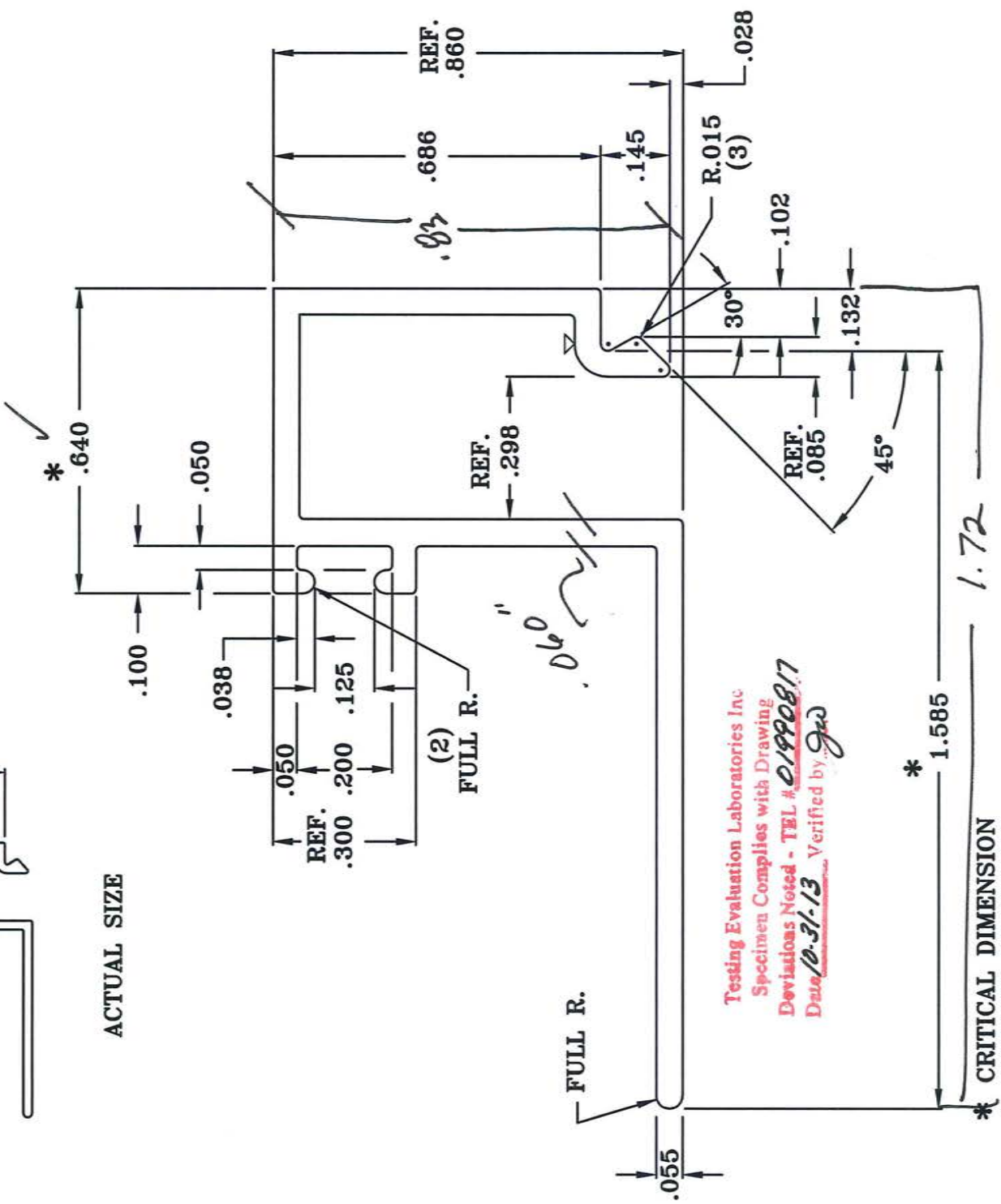
Testing Evaluation Laboratories Inc  
 Specimen Complies with Drawing  
 Deviations Noted - TEL # 01990817  
 Date 10-31-13 Verified by JW

PRODUCT: FLEETWOOD KONA 3800 CASEMENT WINDOW		PART OR ASSEMBLY: BILL OF MATERIALS	
NO.	DATE	BY	REVISIONS
			
DATE: 9/25/13			
SCALE: N.T.S.			
DWG. BY: JK			
CHK. BY: LFS			
DRAWING NO.: L-7033			
SHEET 9 OF 9			

FITS WITH PART#



ACTUAL SIZE



Testing Evaluation Laboratories Inc  
 Specimen Complies with Drawing  
 Deviations Noted - TEL # 01990817  
 Date 10-31-13 Verified by JED

\* CRITICAL DIMENSION

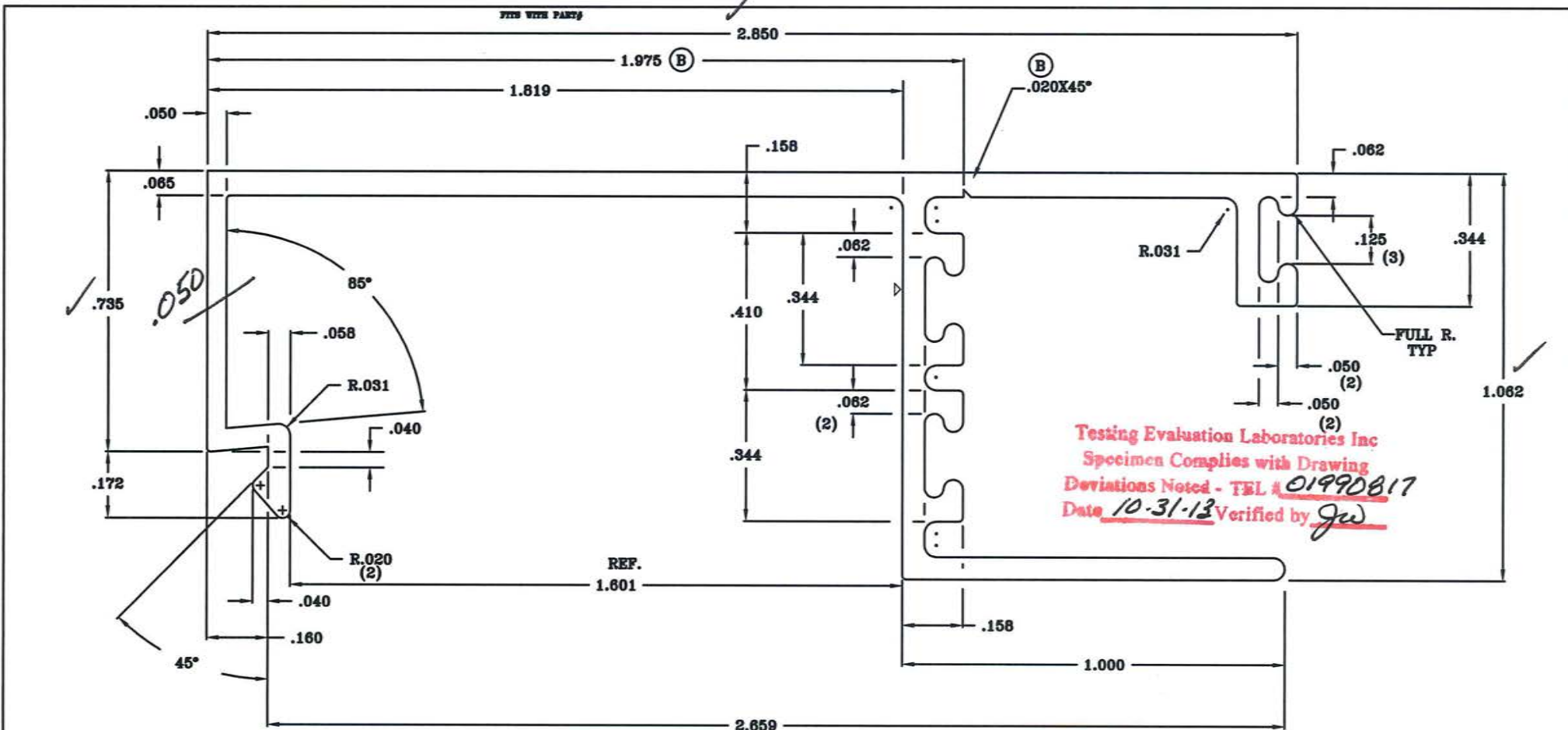
NOTE: .055 TYP. WALL EXCEPT AS NOTED  
 UNMARKED CORNERS .010 R.

>.010 R. X .010DEEPI.D. MARK

CONTAINER	7	DIE RING	5	SPACER RING	2
AREA	.202	PORTS	4	BKR	901487
WT/FT	.242	W/P	POCKET	BOLSTER	STD-4
PERL.	7.360	FLE33161		DIE SIZE	9X2
DWN. BY	KEN	DATE	3/12/04	MAT'L	6063-T6
CHKD. BY		DATE		STANDARD TOLERANCES UNLESS OTHERWISE NOTED	
CUSTOMER			FLEETWOOD WINDOWS & DOORS		
PART NO.			901487		
SCALE			2:1		
REVISION			N/C		
BY			DATE		
			05P12		
PART NAME			DIE NO.		
SIERRA ALUMINUM COMPANY			901487		
2345 Fleetwood Drive					
Riverside, California 92509					
(909)781-7800 FAX (909)781-7864					



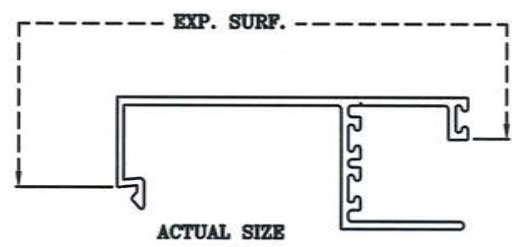




Testing Evaluation Laboratories Inc  
 Specimen Complies with Drawing  
 Deviations Noted - TEL # 01990817  
 Date 10-31-13 Verified by JW

∅.010 R. X .010DEEPL.D. MARK NOTE: .058 TYP. WALL HEIGHT AS NOTED UNMARKED CORNERS .010 R.

CONTAINER	8	DIE KING	5	SPACER KING	2				
ANNA	.415	PORTS	3	DIE	011448				
W/F	.498	W/F	POCKET	BOLSTER	3-6				
PNL	13.469	FLE	28807	DIE SIZE	9X2				
DRW. BY	KEN	DATE	4/24/02	MAT'L.	6063-T6	B	RELOCATE .080X45°	ED	9/29/03
CHD. BY		DATE		STANDARD TOLERANCES UNLESS OTHERWISE NOTED		INT.	REVISION	BY	DATE
SIERRA ALUMINUM COMPANY 2345 Fleetwood Drive Riverside, California 92509 (909)781-7800 FAX (909)781-7864				CUSTOMER FLEETWOOD ALUMINUM		SCALE 4:1	PART NO. 3811		
				PART NAME GLASS STOP		N/C	DIE NO. 011448		



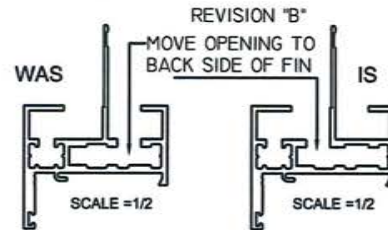
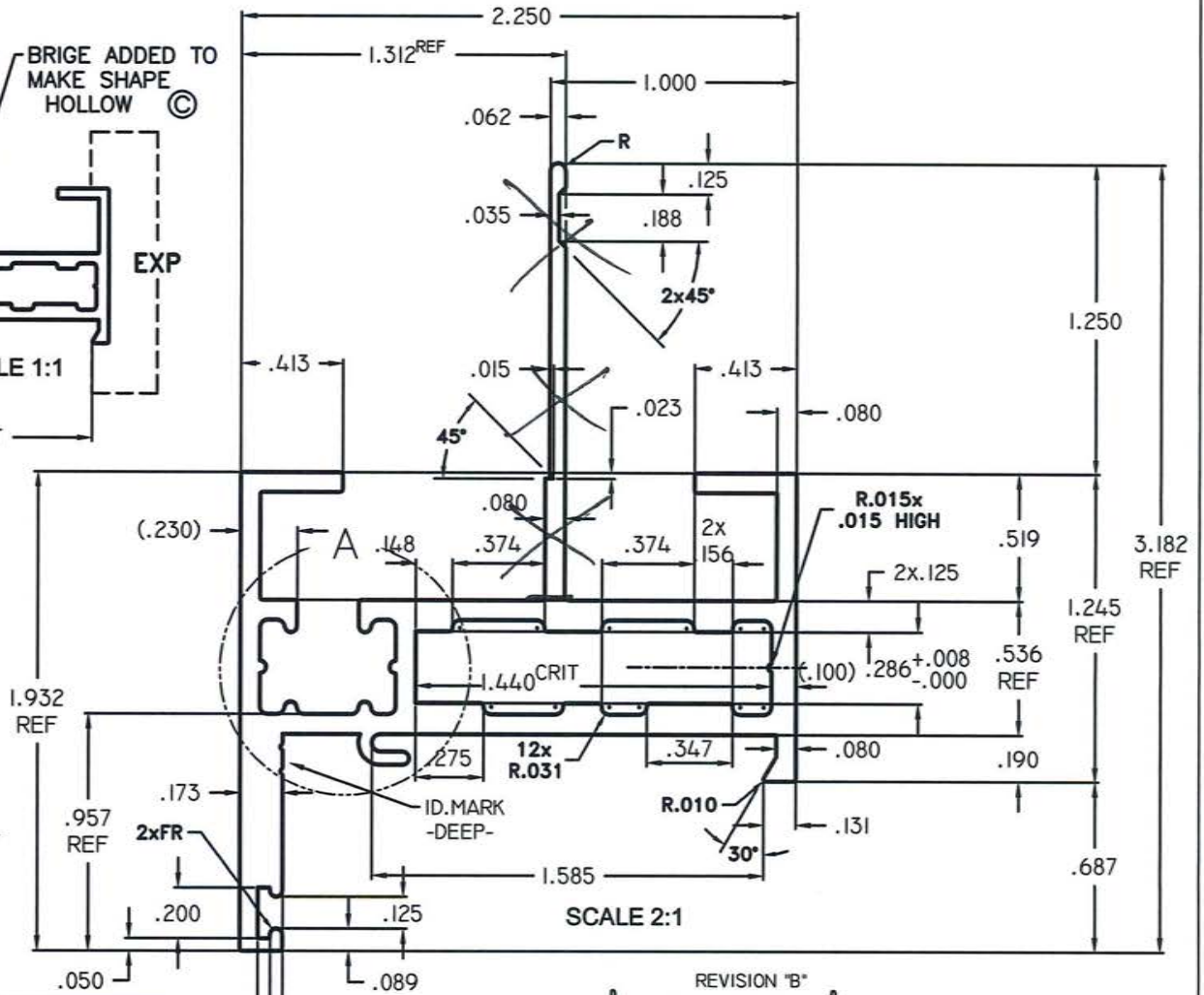
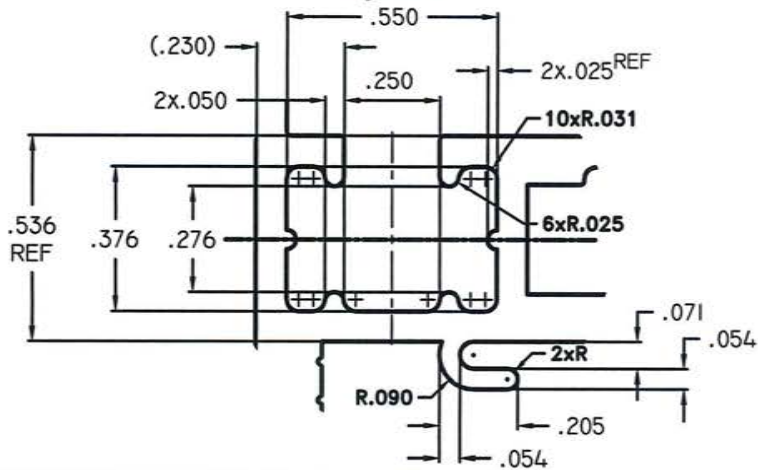
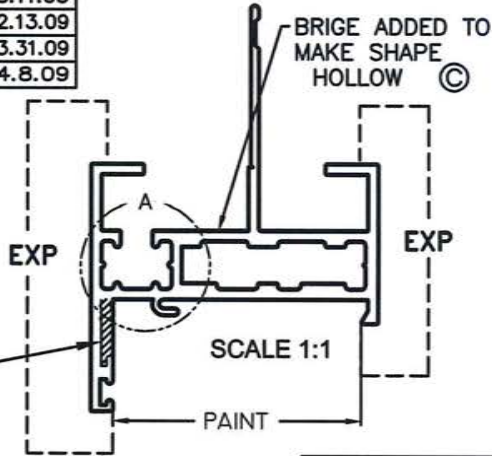
CUSTOMER: FLEETWOOD ALUMINUM PART NAME: 5000 INSIDE GLAZE PERIM. (NAIL-ON)  
 PART NUMBER: 05P88

EV	REVISIONS	BY	DATE
	MATERIAL ADDED-SEE ACTUAL SIZE	CD	3.11.03
	SEE BELOW	CD	2.13.09
	NOW A HOLLOW DIE/.413 WAS .625/R.031(12) WAS R.031(10)	CD	3.31.09
1	REDRAWN	CD	4.8.09



TB CAVITY TYPE CC  
 AREA SQ" .210  
 VOLUME CUBIC"/FT. 2.520

REVISION "A"  
 MATERIAL ADDED  
 Testing Evaluation Lab  
 Specimen Complies with Drawing  
 Deviations Noted - TEL # 01990817  
 Date 10.31.13 Verified by gw

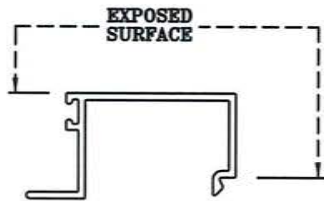
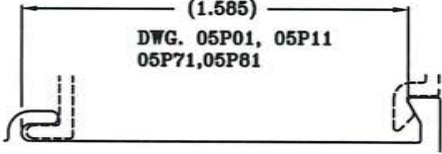


MARKED WALLS: .080		UNMARKED CORNERS: R.010	UNMARKED FILLETS: R.010
LESS OTHERWISE SPECIFIED, STANDARD ALUMINUM ASSOCIATION TOLERANCES APPLY • FRONTIER ID. MARK: TWO .010 R x .100 APART			
EA .927	PRESS 4	DWN CD	Frontier Aluminum Corp.
/FT 1.113	PORTS 11x7-2H	DATE 4.17.2014	2480 Railroad St. Corona, Ca
RI. 21.012	W/P HOLLOW	D 5278	Ph: [951] 735-1770 Fax 735-1895
CTOR 19	BKR. HOLLOW	CLASS HOLLOW	http://www.frontier-aluminum.com
C.D. 3.57	BOL STD-2	17.205	ALLOY & TEMPER 6063-T6
AW:0201/92	RATIO: PRESS 1:	PRESS 2:	DIE NO. 5278 C1
	PRESS 3:		REV. C1

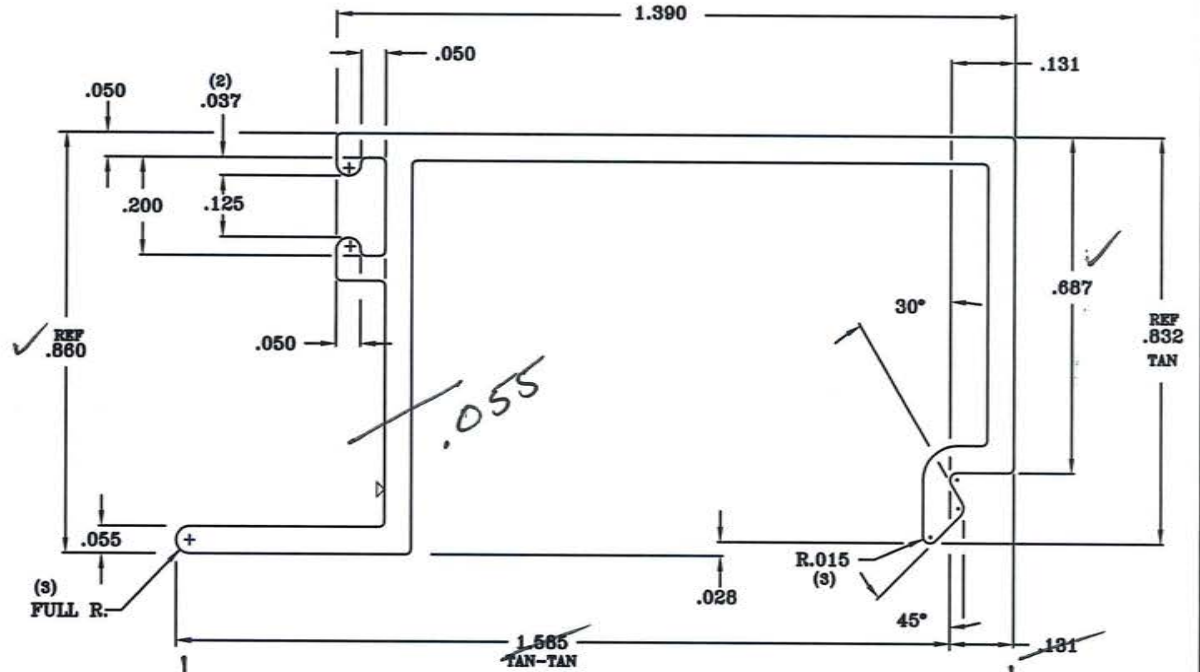
FITS WITH PART#

DIE # \_\_\_\_\_  
DIE # \_\_\_\_\_

(1.585)  
DWG. 05P01, 05P11  
05P71,05P81



ACTUAL SIZE



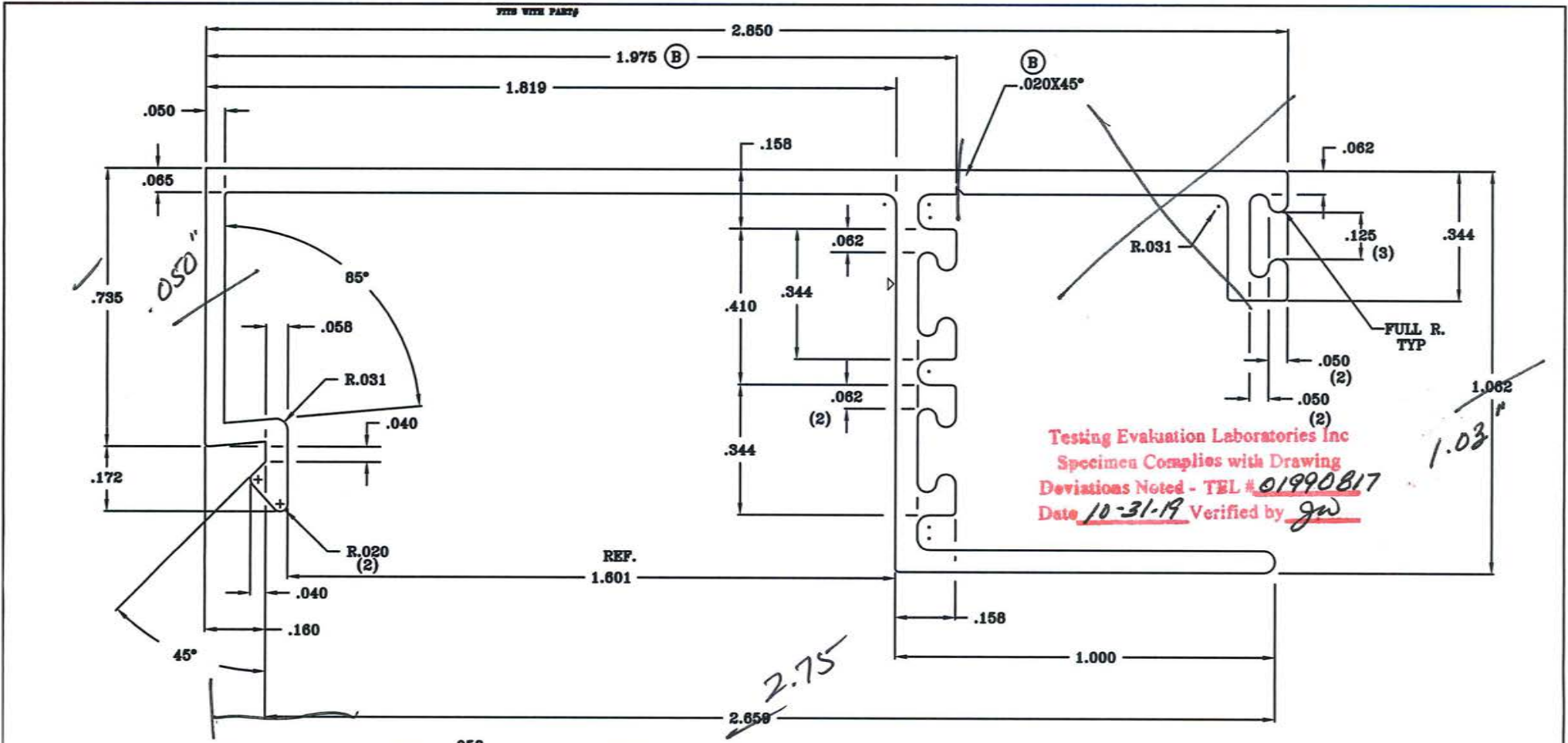
1.72

▷.010 R. X .010HIGH I.D. MARK

NOTE: .055 TYP. WALL EXCEPT AS NOTED  
UNMARKED CORNERS .010 R.

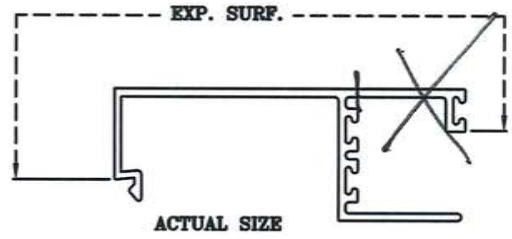
CONTAINER	7	DIE KING	4	SPACER KING	3				
AREA	.202	PORTS	4	DER	2372				
WT/YT	.242	W/P	-	BOLSTER	4-9				
PNL	7.337	FILE#	9686	DIE SIZE	9x1				
DWN. BY	HILDA	DATE	6/03/94	MAT'L	6063-T6				
CHEK. BY		DATE		STANDARD TOLERANCES UNLESS OTHERWISE NOTED		INT.	REVISION	BY	DATE
SIERRA ALUMINUM COMPANY		CUSTOMER		SCALE	PART NO.				
2345 Fleetwood Drive		FLEETWOOD ALUMINUM PRODUCTS		4:1	05P08				
Riverside, California 92509		PART NAME		-	DIE NO.				
(909)781-7800 FAX (909)781-7864		GLASS STOP 1/2" ...5000			007930				

Testing Evaluation Laboratories Inc  
Specimen Complies with Drawing  
Deviations Noted - TEL # 01990817  
Date 10-31-13 Verified by *gaw*

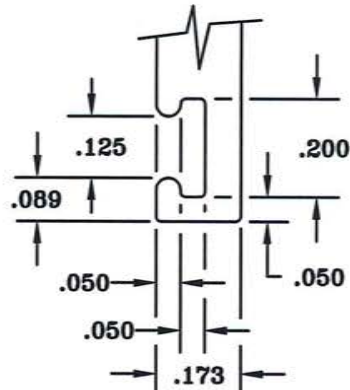


D.010 R. X .010DEEPI.D. MARK      NOTE: .058      TYP. WALL THICKNESS AS NOTED UNMARKED CORNERS .010 R.

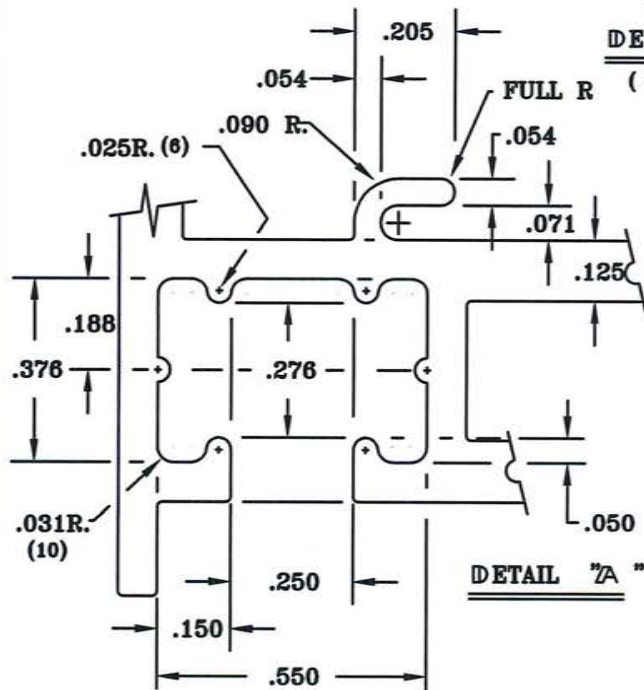
CONTAINER	8	DR HING	5	SPACER HING	2				
AREA	.415	PORTS	3	DR	011448				
WT/PT	.498	V/P	POCKET	BOLSTER	3-6				
PHIL	13.469	FLE	28807	DR SIZE	9X2				
DWN BY	KEN	DATE	4/24/02	MAT'L	6063-T6	D	RELOCATE .00250"	ED	9/20/08
CHEK BY		DATE		STANDARD TOLERANCES UNLESS OTHERWISE NOTED	LEV.	REVISION	BY	DATE	
CUSTOMER				FLEETWOOD ALUMINUM		SCALE	PART NO.		
SIERRA ALUMINUM COMPANY				GLASS STOP		4:1	3811		
2845 Fleetwood Drive Riverside, California 92509 (909)781-7800 FAX (909)781-7864						N/C	DR NO.		011448



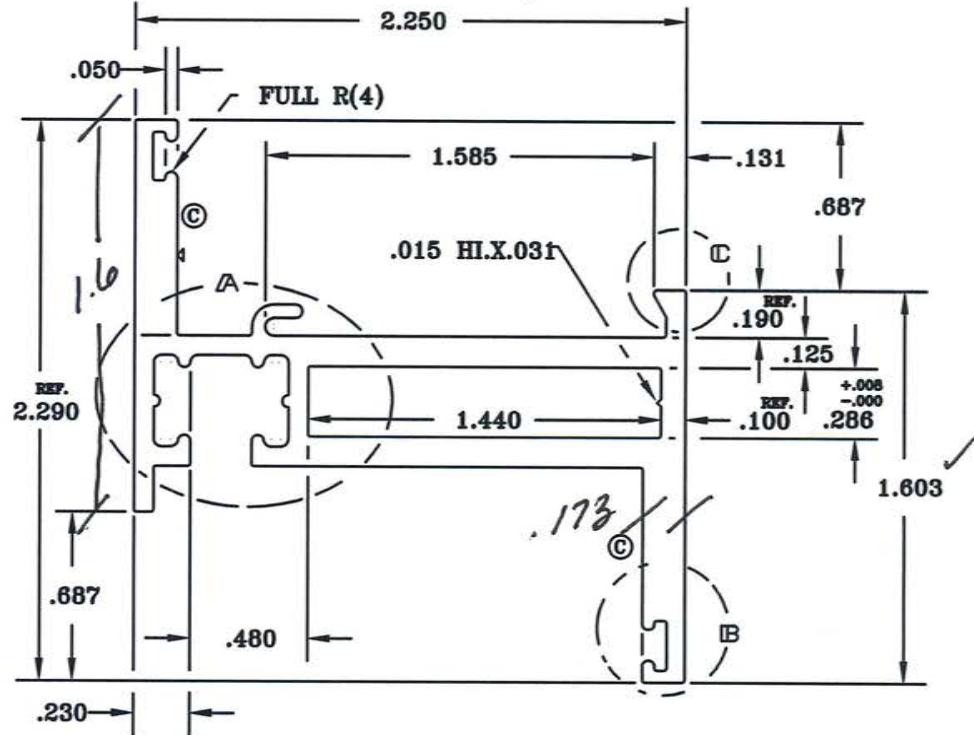
Testing Evaluation Laboratories Inc  
 Specimen Complies with Drawing  
 Deviations Noted - TEL # 01990817  
 Date 10-31-19 Verified by gw



DETAIL "B"  
 ( 2 PLCS.)



DETAIL "A"



▷.010 R. X .010DEEPI.D. MARK

NOTE: .080 TYP. WALL THICKNESS AS NOTED UNMARKED CORNERS .010 R.

CONTAINER	DES KING	SPACER KING					
AREA	.897	PORTS	1	DES	-		
WT/FT	1.076	V/P	-	BOLSTER	1-2	D	ADD THERMAL BREAK AREA TAB 2/21/06
PERL.	16.078	FLEE6042		DES SIZE	9X5	C	REMOVED UNDERCUTS WT/FT. WAS .978,F16.433 ED 3/14/08
DWN. BY	Wldg	DATE	3/14/03	MAT'L	6063-T6	B	REMOVED .126 STEP WT/FT. WAS 1.006,F16.416 ED 7/19/08
CHD. BY		DATE		STANDARD TOLERANCES UNLESS OTHERWISE NOTED		LET.	REVISION
SIERRA ALUMINUM COMPANY 2345 Fleetwood Drive Riverside, California 92509 (909)781-7800 FAX (909)781-7864		CUSTOMER FLEETWOOD ALUMINUM PRODUCTS, INC. PART NAME ZEE BAR		SCALE 3:1	PART NO. 05P11	DES NO. H-006733	

