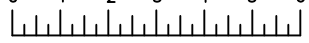
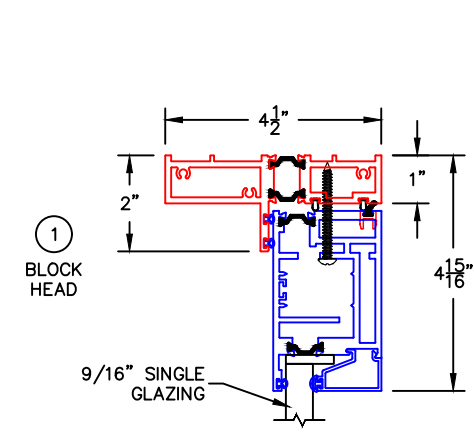
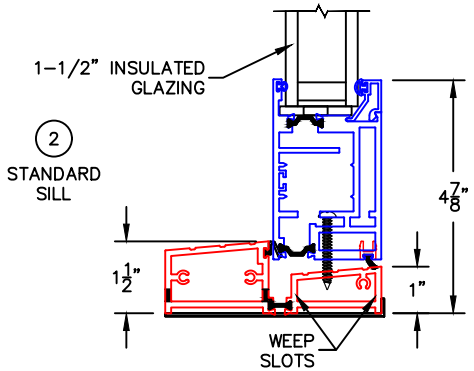


0 1 2 3 4 5 6

 (USE RULER TO SCALE DIMENSIONS IN INCHES)
SCALE: 1/4"

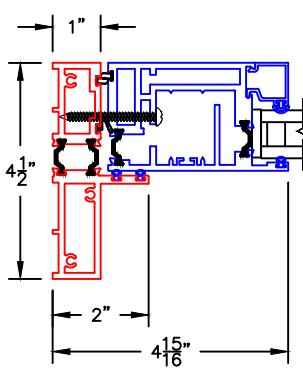
WIDE STYLE FIXED LITE (INSWING)
 1" & 1-1/2" INSULATED & 9/16" SINGLE
 GLAZING SHOWN



EXTERIOR

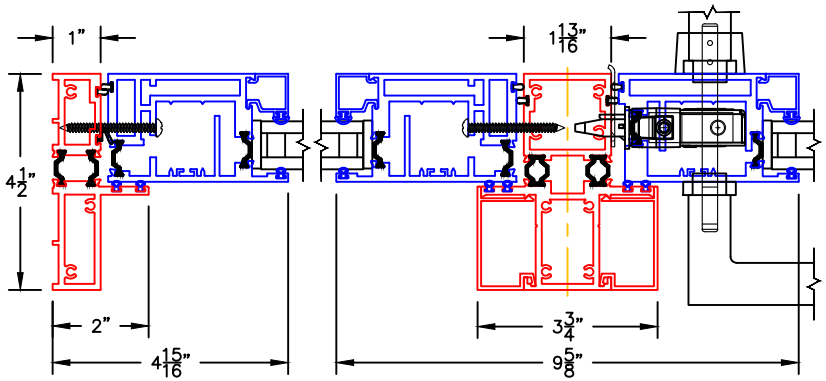


③ BLOCK JAMB FIXED

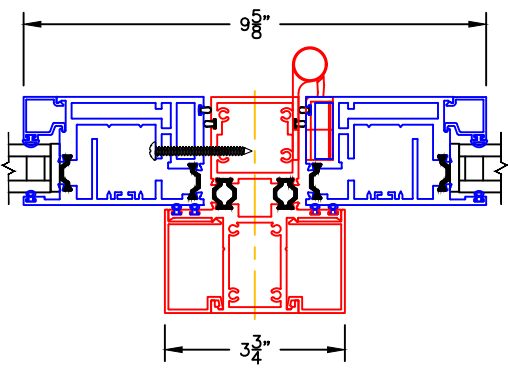


EXTERIOR

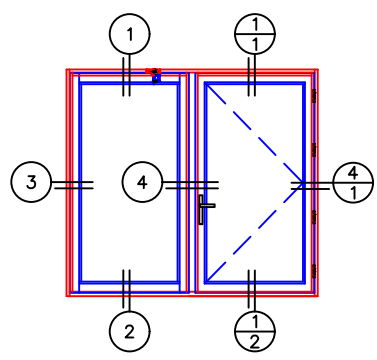
④ T-MULLION FIXED/LOCK



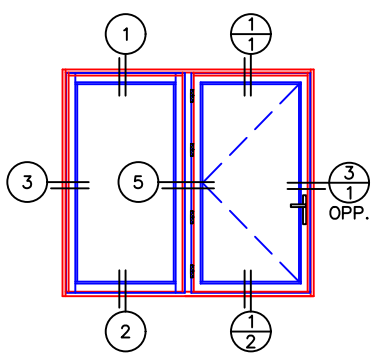
⑤ T-MULLION FIXED/HINGE



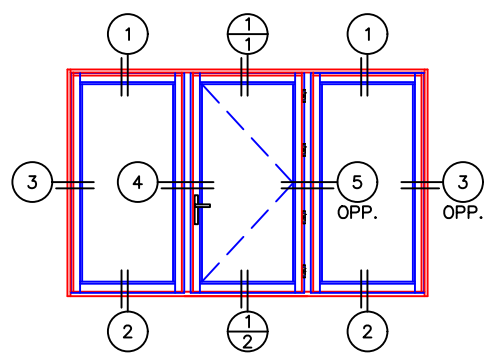
EXTERIOR



OH-HINGED RIGHT WITH
 WIDE STYLE SIDELITE



OH-HINGED LEFT WITH
 WIDE STYLE SIDELITE

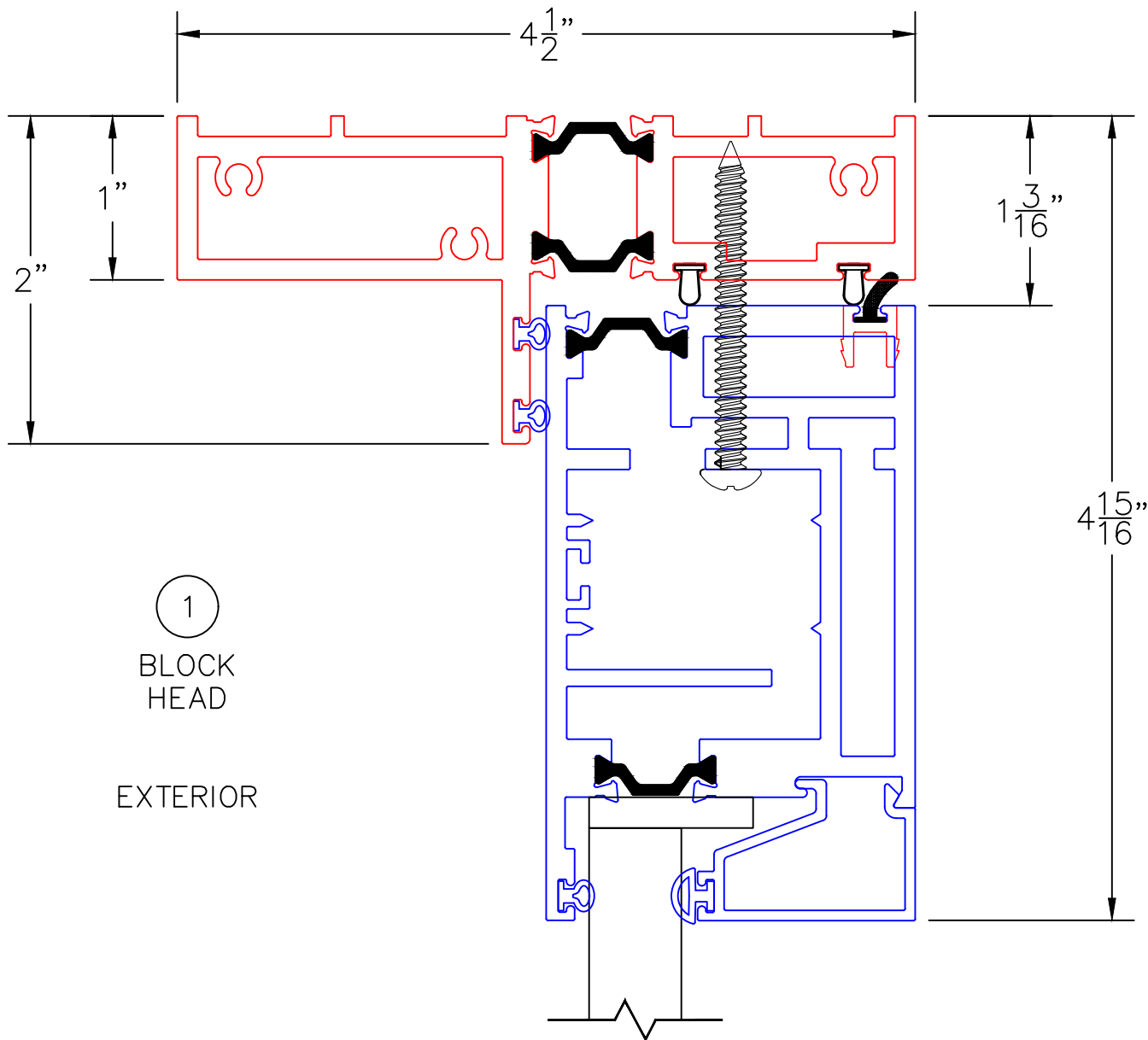


OHO-HINGED RIGHT WITH
 WIDE STYLE SIDELITE

-GLASS PENETRATION: 9/16"
 -3/32" VENT FLUSH TOLERANCE IN CLOSED POSITION.
 -EXTERIOR RATED PRODUCTS HAVE WEEP SLOTS ON HORIZONTAL SILLS.

0 0.5 1
 (USE RULER TO SCALE DIMENSIONS IN INCHES)
SCALE: FULL

WIDE STYLE FIXED LITE DETAIL (IN SWING)
 9/16" SINGLE GLAZING SHOWN



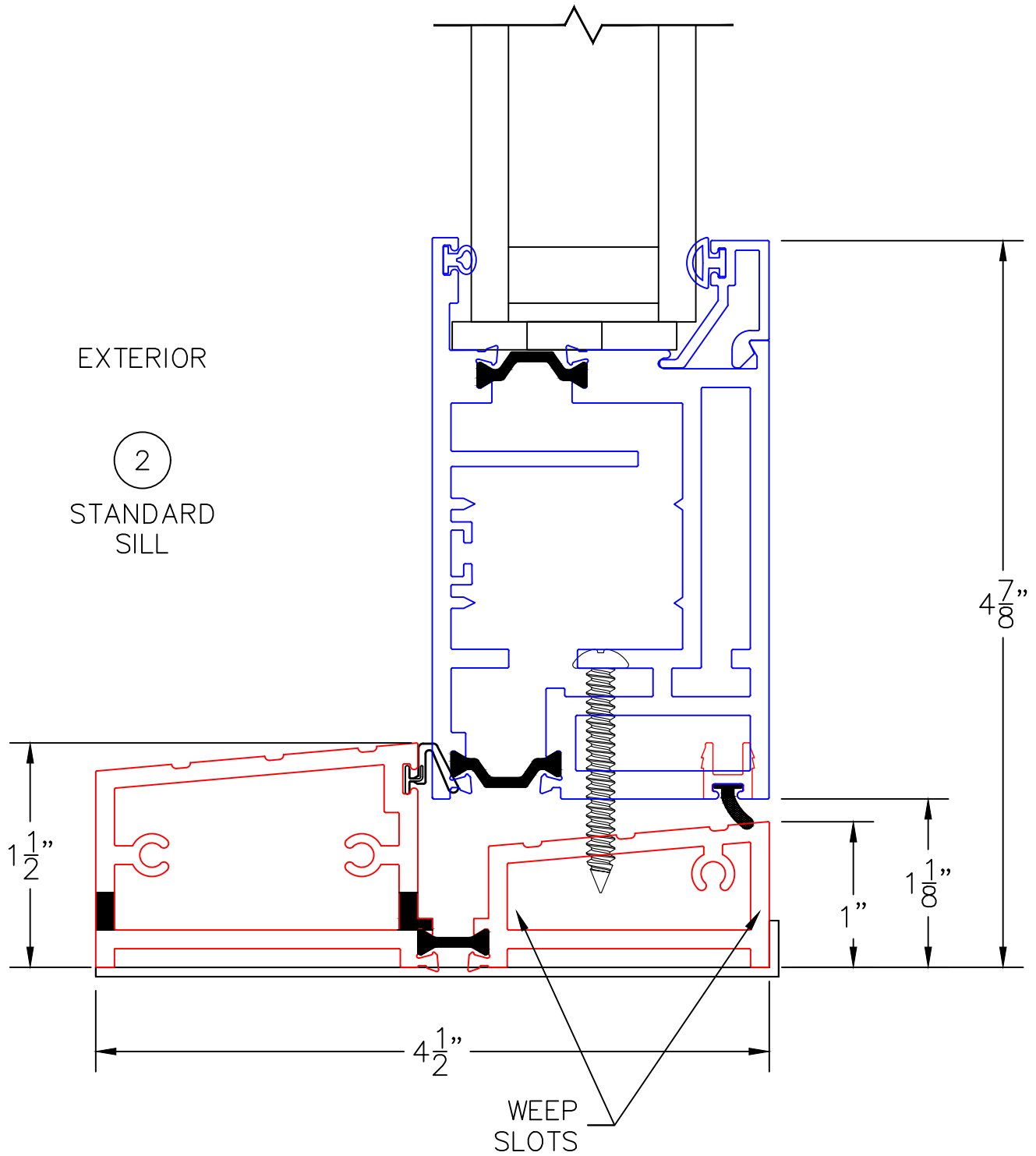
①

BLOCK
HEAD

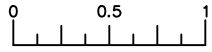
EXTERIOR

0 0.5 1
 (USE RULER TO SCALE DIMENSIONS IN INCHES)
SCALE: FULL

WIDE STYLE FIXED LITE DETAIL (IN SWING)
 1-1/2" INSULATED GLAZING SHOWN

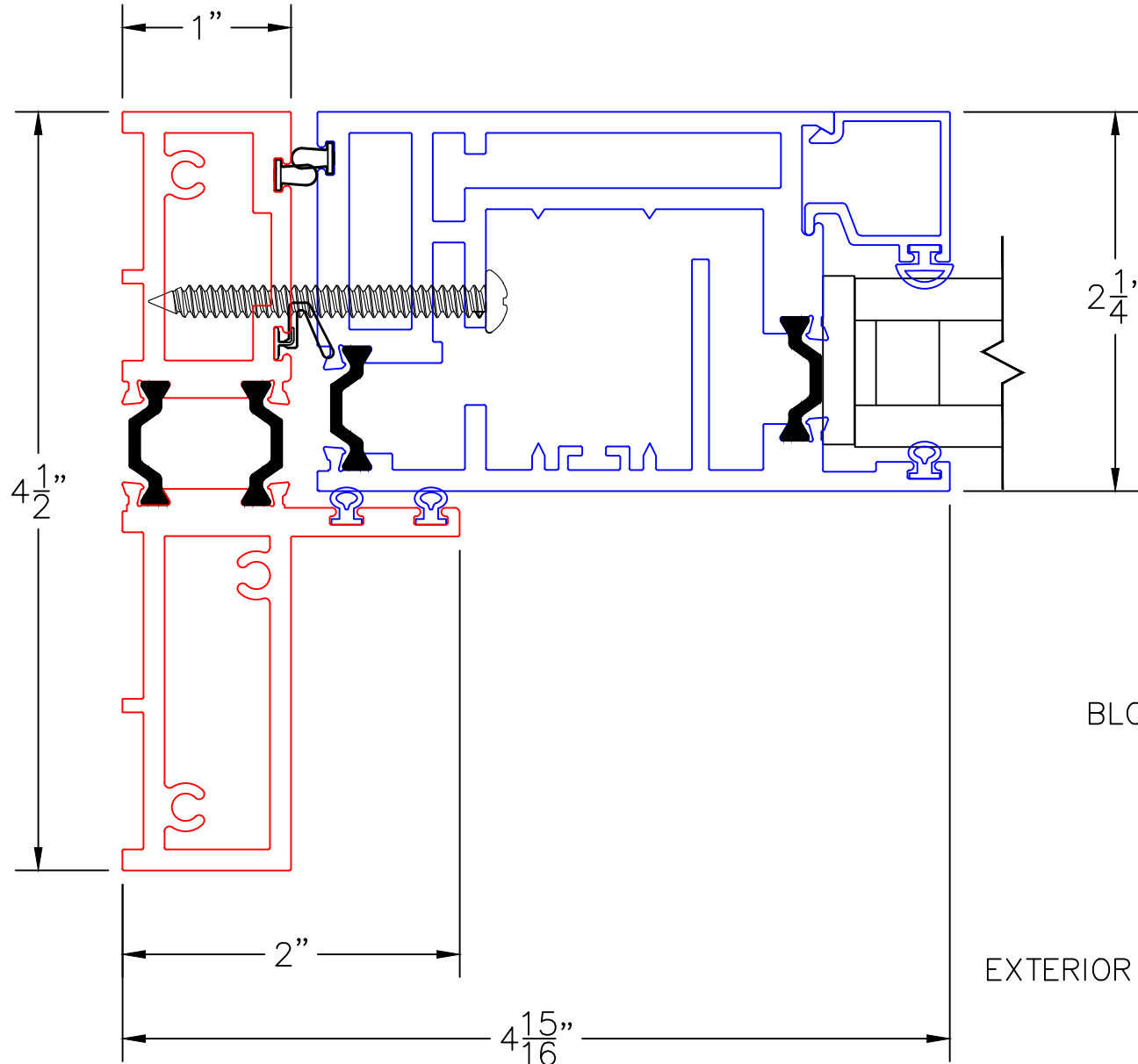


WIDE STYLE FIXED LITE DETAIL (IN SWING)
1" INSULATED GLAZING SHOWN



(USE RULER TO SCALE DIMENSIONS IN INCHES)

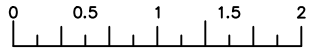
SCALE: FULL



3

BLOCK JAMB
FIXED

EXTERIOR



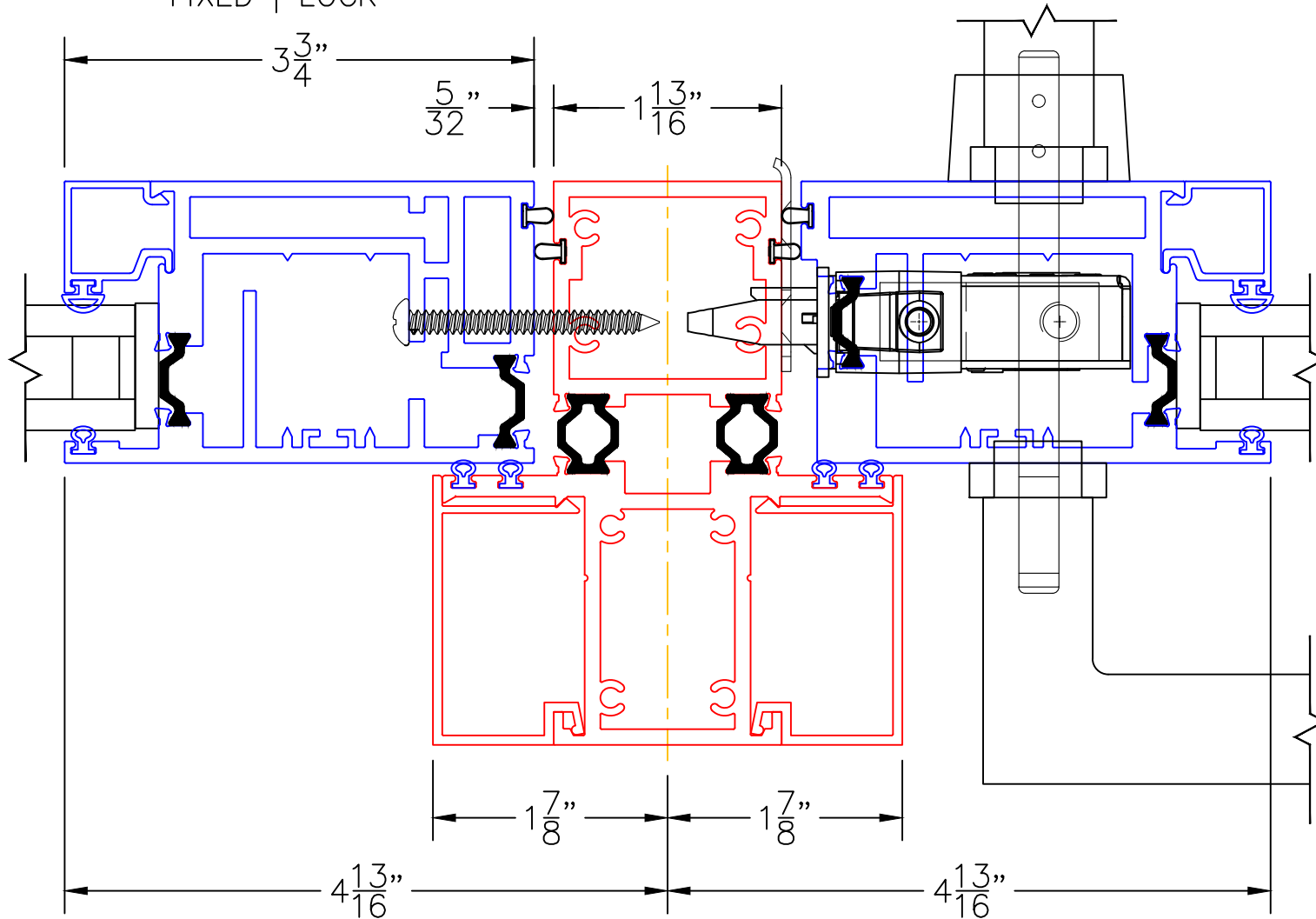
(USE RULER TO SCALE DIMENSIONS IN INCHES)

SCALE: 3/4

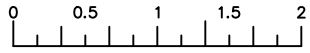
WIDE STYLE FIXED LITE DETAIL (LOCK AT TDL) (IN SWING) 1" INSULATED GLAZING SHOWN

4

T-MULLION
FIXED | LOCK



EXTERIOR



(USE RULER TO SCALE DIMENSIONS IN INCHES)

SCALE: 3/4

WIDE STYLE FIXED LITE DETAIL (HINGE AT TDL) (IN SWING)
1" INSULATED GLAZING SHOWN

5

T-MULLION
FIXED | HINGE

