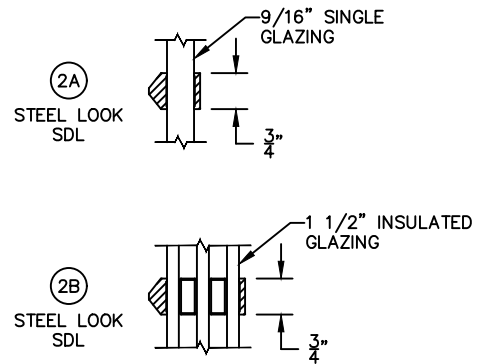
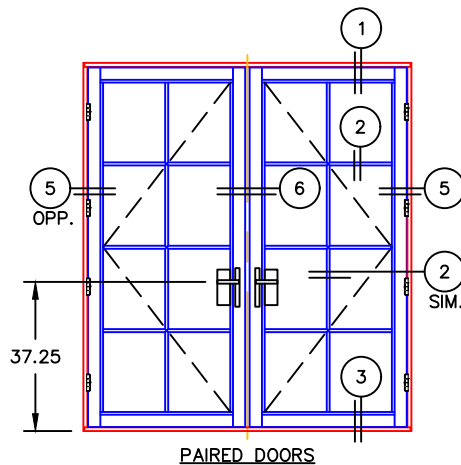
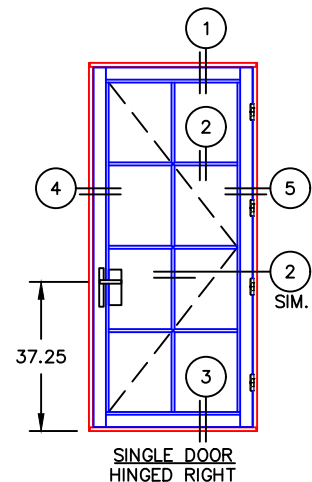
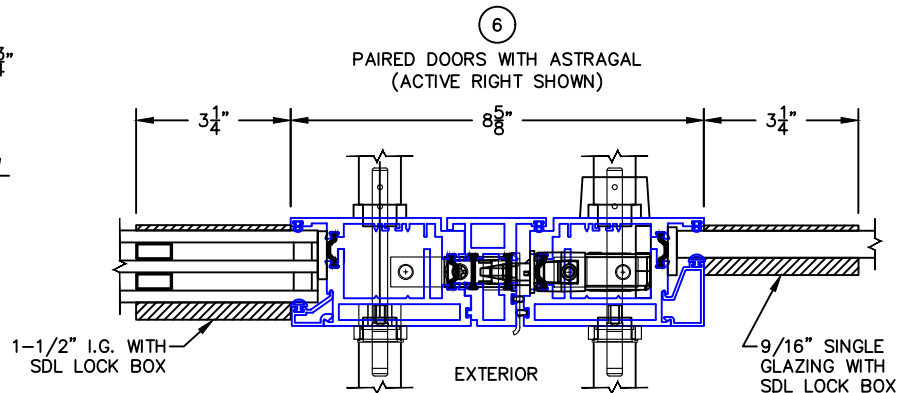
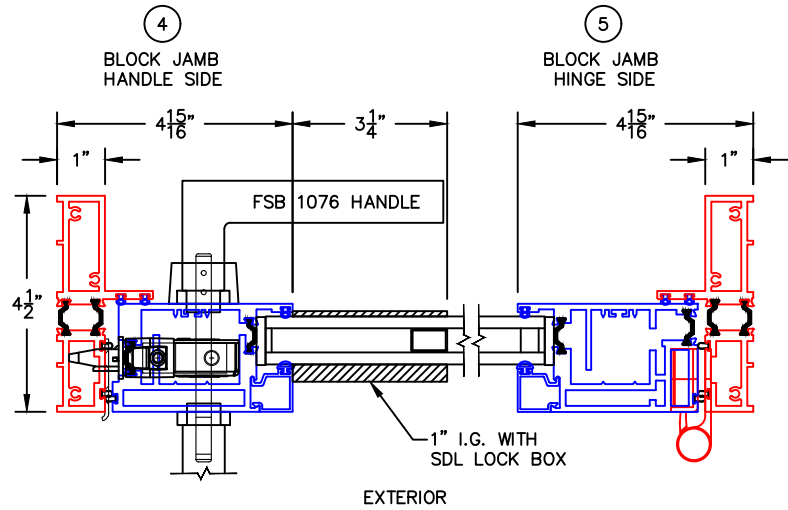
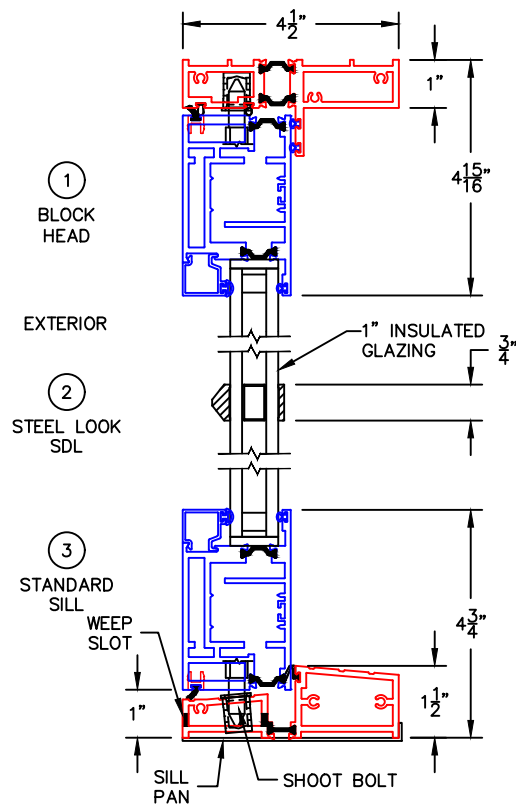


(USE RULER TO SCALE DIMENSIONS IN INCHES)
SCALE: 1/4

**OUT-SWING DOOR WITH OPTIONAL
SDL LOCK BOX & STEEL LOOK SDL'S**



- GLASS PENETRATION: 9/16"
- 3/32" VENT FLUSH TOLERANCE IN CLOSED POSITION.
- SDL'S ARE DIVIDED EQUALLY IN GLASS (NOT DAYLIGHT) UNLESS OTHERWISE SPECIFIED.
- EXTERIOR RATED PRODUCTS HAVE WEEP SLOTS ON HORIZONTAL SILLS.