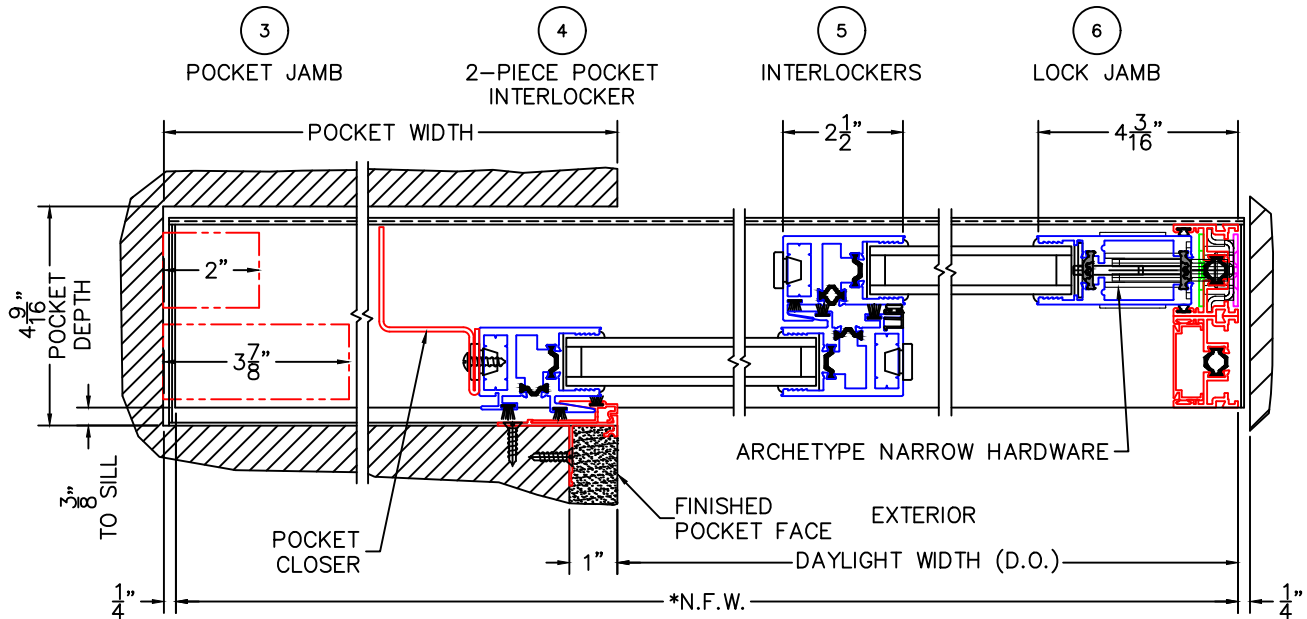
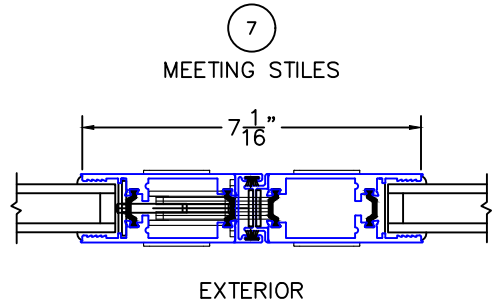
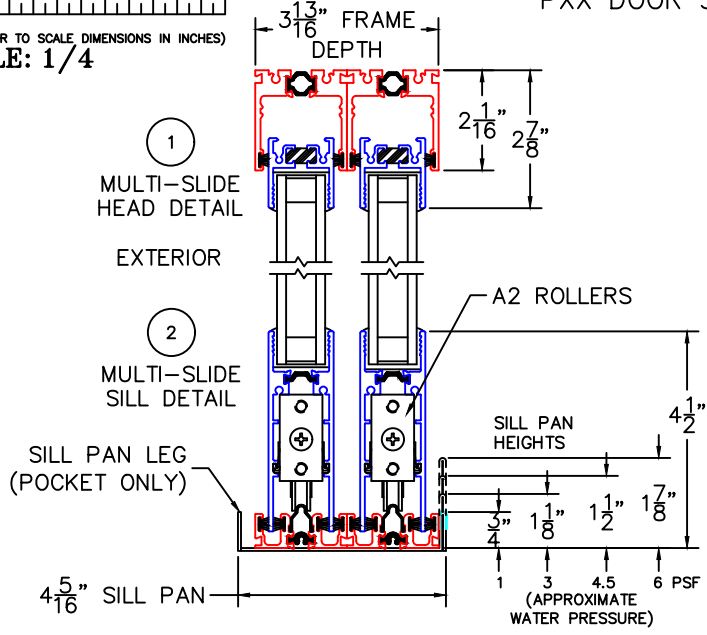
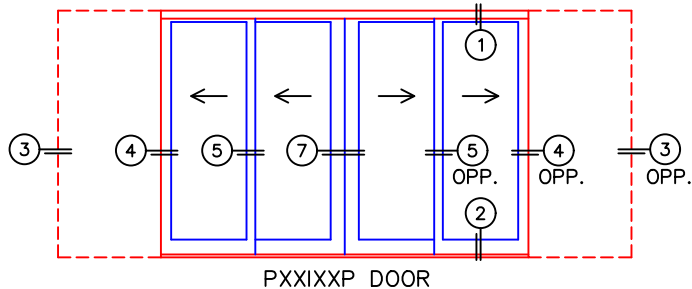
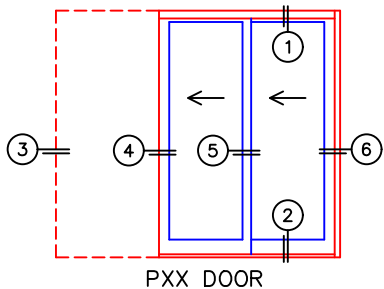


MULTI-SLIDE POCKET DOOR DETAILS PXX DOOR SHOWN



NOTE: CENTERLINES ARE NOT DIVIDED EQUALLY; CONFIRM CENTERLINES WHEN REQUIRED.



-GLASS PENETRATION: 11/16"
 -*NET FRAME WIDTH DOES NOT INCLUDE SILL PAN.
 -SILL PAN EXTENDS 1/8" BEYOND EACH JAMB.
 -ENCLOSED PX AND XP DOORS MAY REQUIRE POCKET DEMO FOR PANEL REMOVAL.

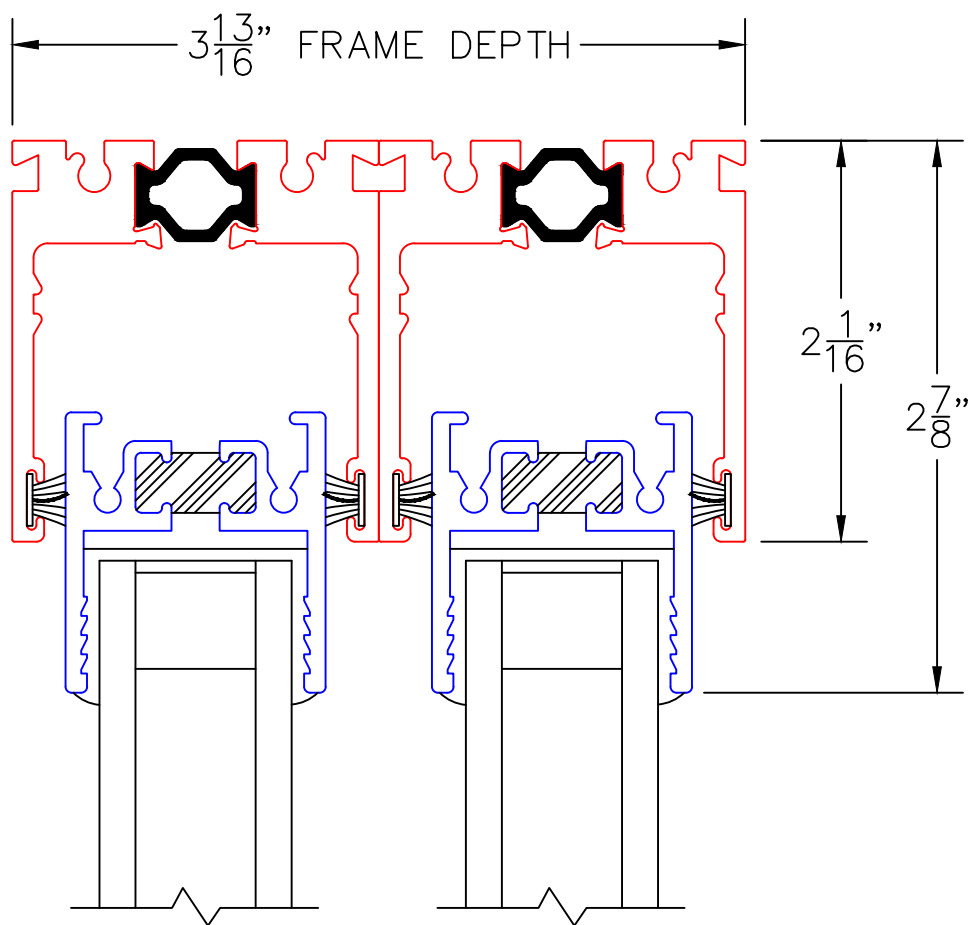
-FOR ADDITIONAL OPTIONS AND UPGRADES SEE DRAWINGS 3070-T-08 AND 3070-T-09.
 -EXTERIOR RATED PRODUCTS HAVE WEEP SLOTS ON HORIZONTAL SILLS.

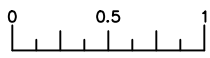
0 0.5 1
 (USE RULER TO SCALE DIMENSIONS IN INCHES)
SCALE: FULL

MULTI-SLIDE DOOR DETAILS
 PXX DOOR SHOWN

①
 MULTI-SLIDE
 HEAD DETAIL

EXTERIOR

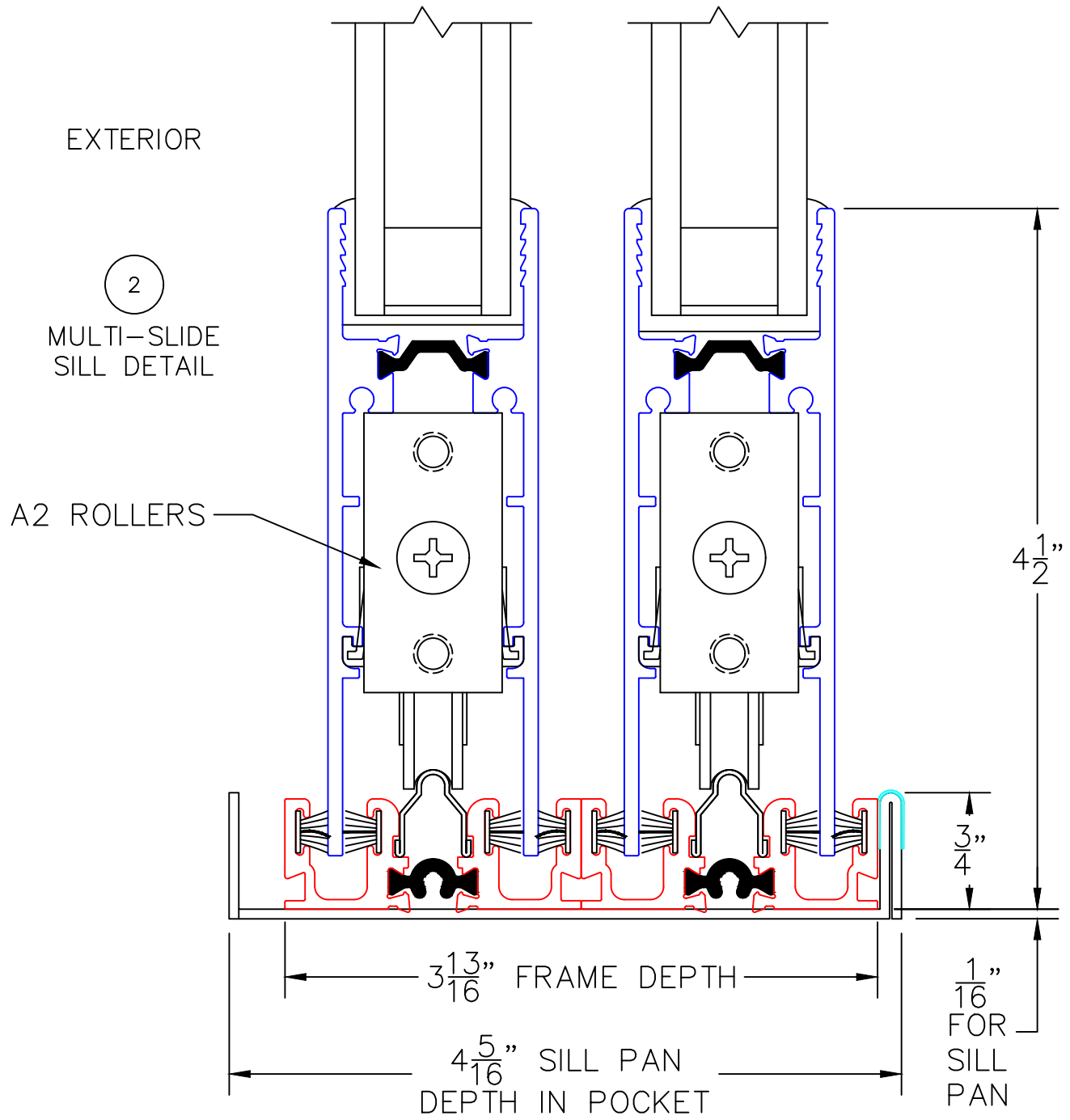


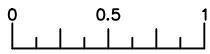


(USE RULER TO SCALE DIMENSIONS IN INCHES)

SCALE: FULL

MULTI-SLIDE DOOR DETAILS
PXX DOOR SHOWN





(USE RULER TO SCALE DIMENSIONS IN INCHES)

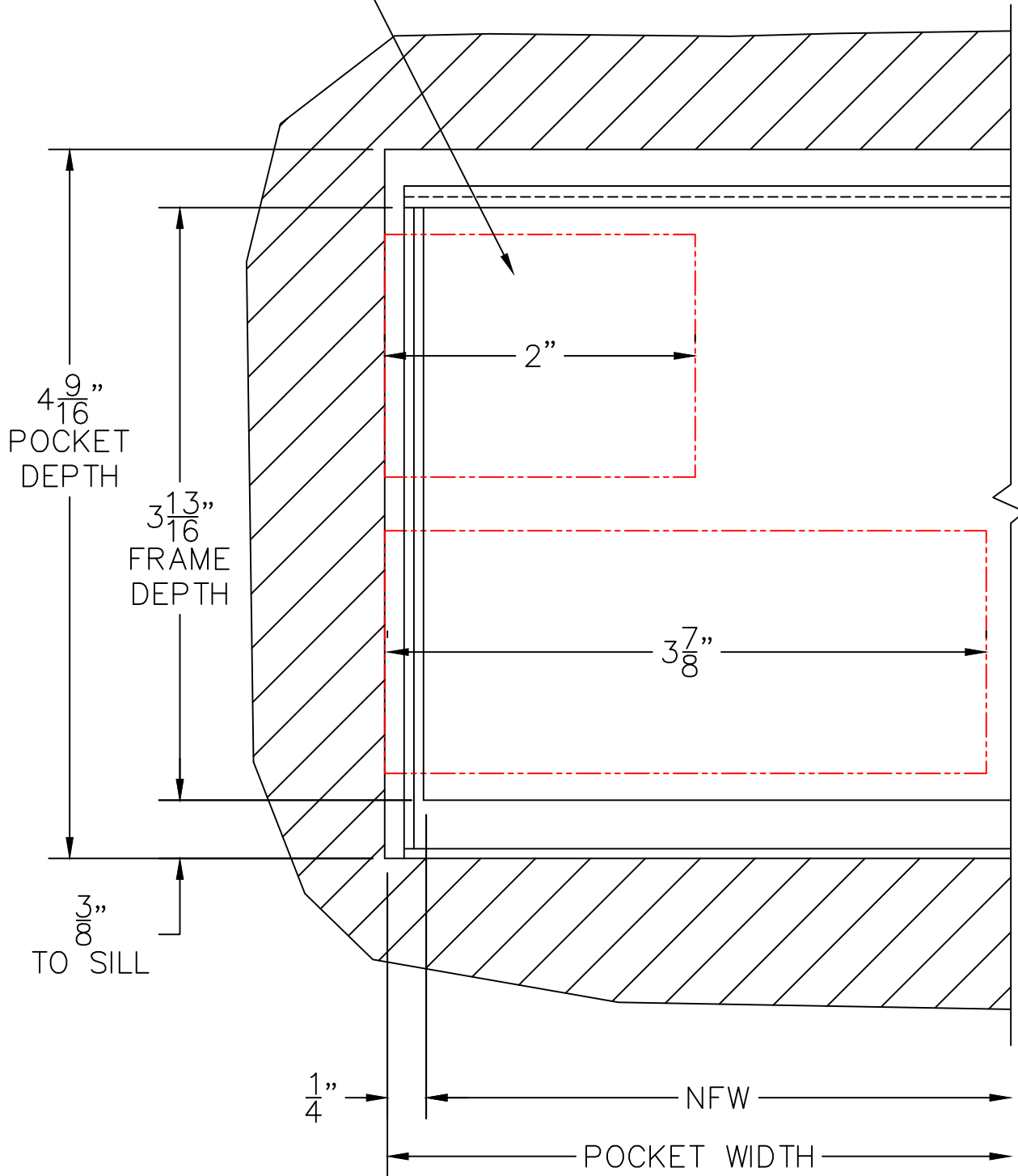
SCALE: FULL

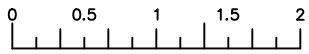
MULTI-SLIDE DOOR DETAILS
PXX DOOR SHOWN

3

HEAD BUMPER

POCKET JAMB





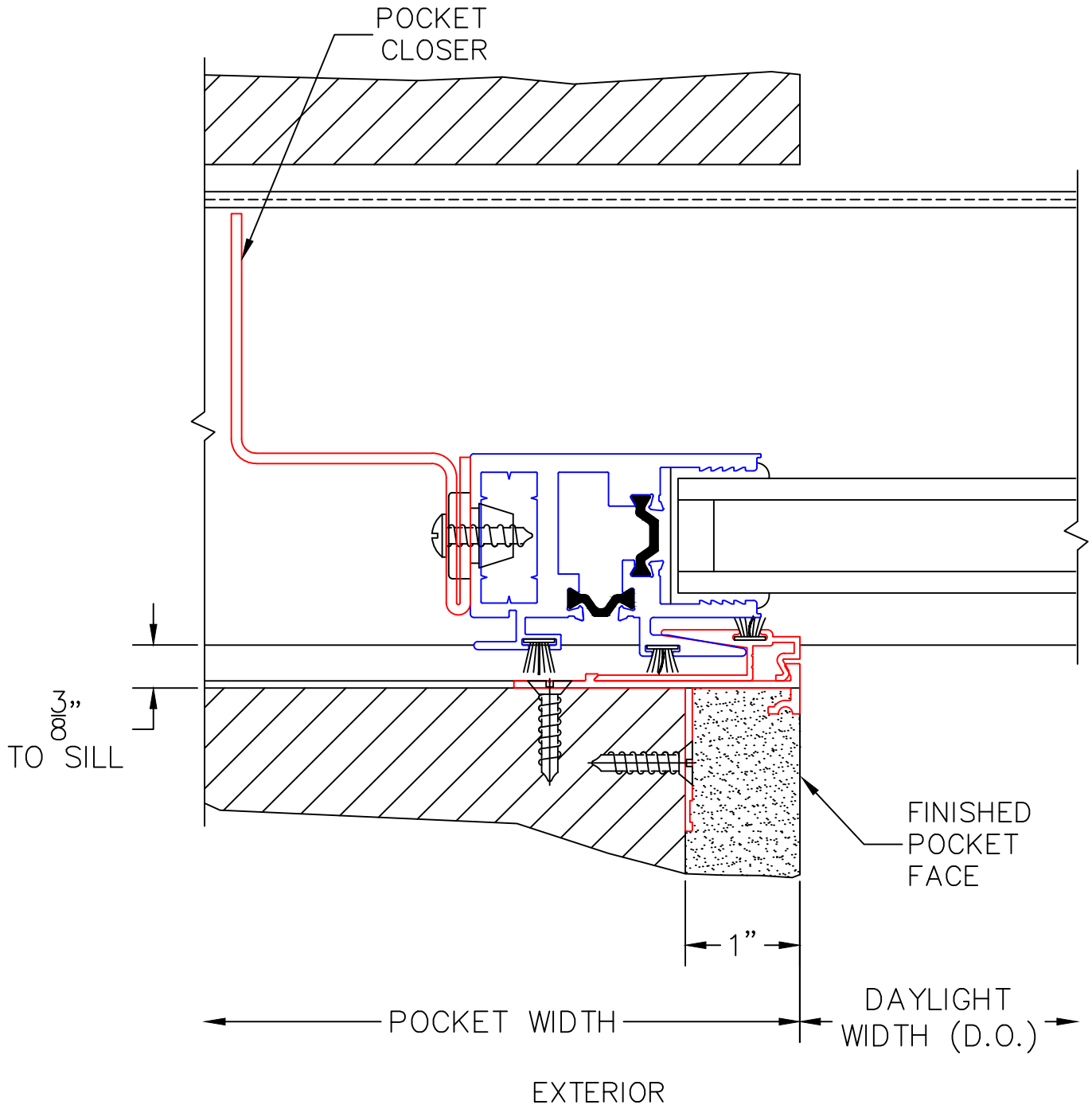
(USE RULER TO SCALE DIMENSIONS IN INCHES)

SCALE: 3/4

MULTI-SLIDE DOOR DETAILS
PXX DOOR SHOWN

4

2-PIECE POCKET
INTERLOCKER

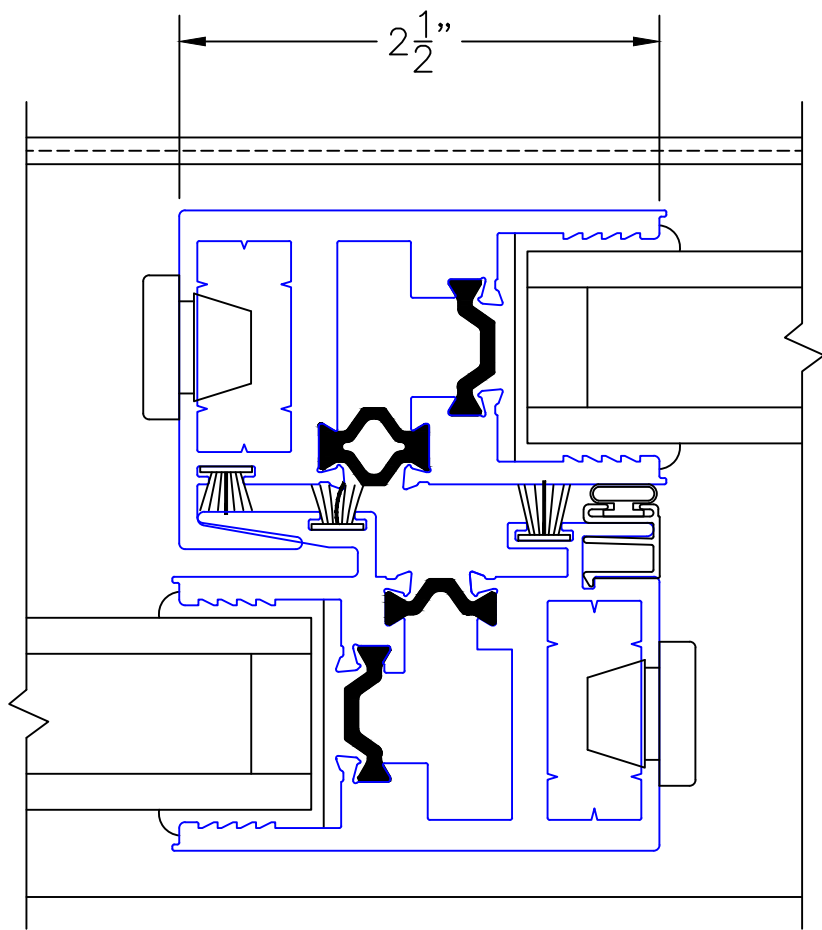


0 0.5 1
(USE RULER TO SCALE DIMENSIONS IN INCHES)
SCALE: FULL

MULTI-SLIDE DOOR DETAILS
PXX DOOR SHOWN

5

INTERLOCKERS



0 0.5 1
(USE RULER TO SCALE DIMENSIONS IN INCHES)
SCALE: FULL

MULTI-SLIDE DOOR DETAILS
PXX DOOR SHOWN

6

LOCK JAMB

ARCHETYPE NARROW
HARDWARE

$\frac{1}{8}$ " FOR
SILL PAN

$\frac{313}{16}$ "
FRAME
DEPTH

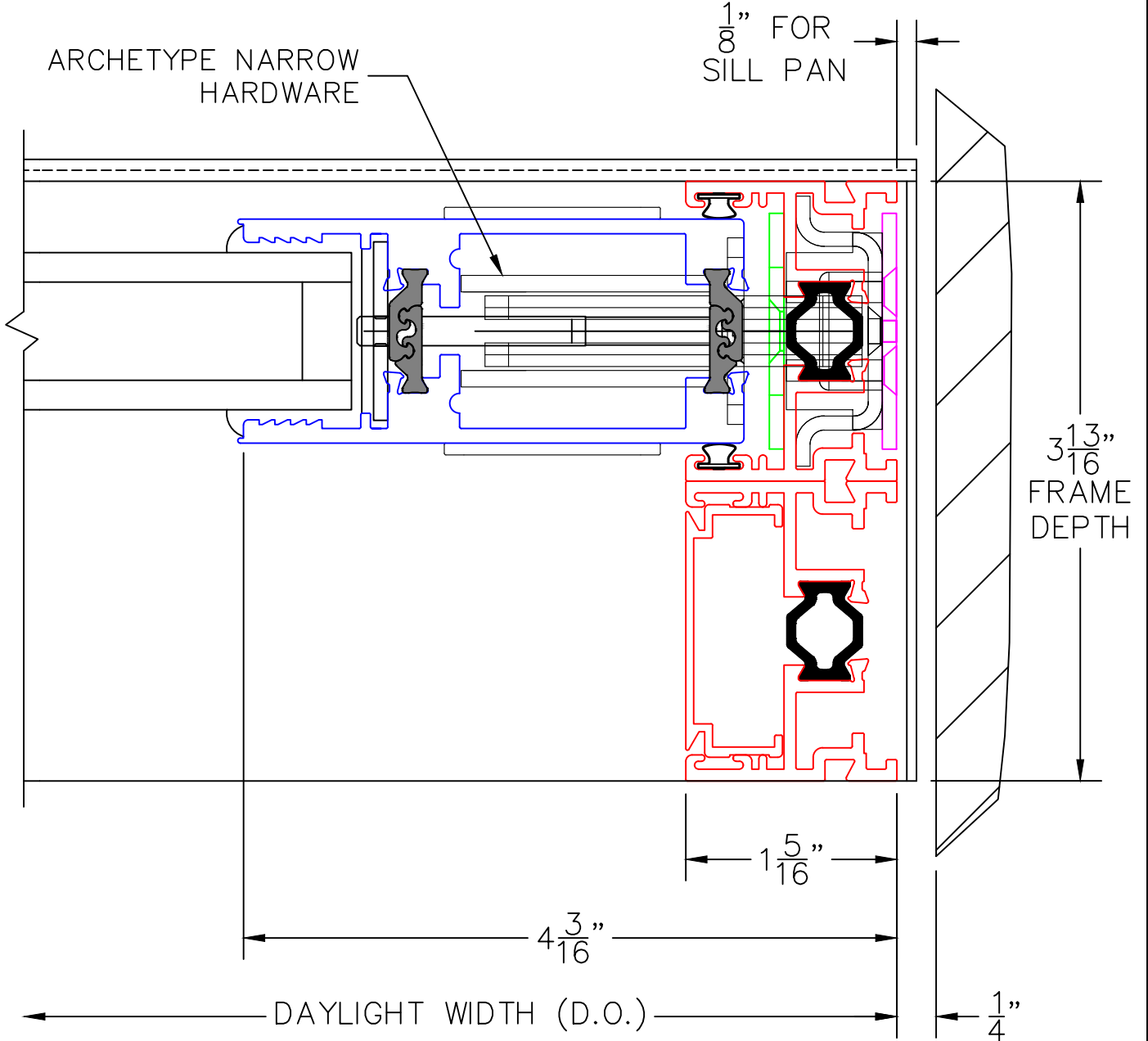
$1\frac{5}{16}$ "

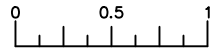
$4\frac{3}{16}$ "

DAYLIGHT WIDTH (D.O.)

$\frac{1}{4}$ "

EXTERIOR





(USE RULER TO SCALE DIMENSIONS IN INCHES)

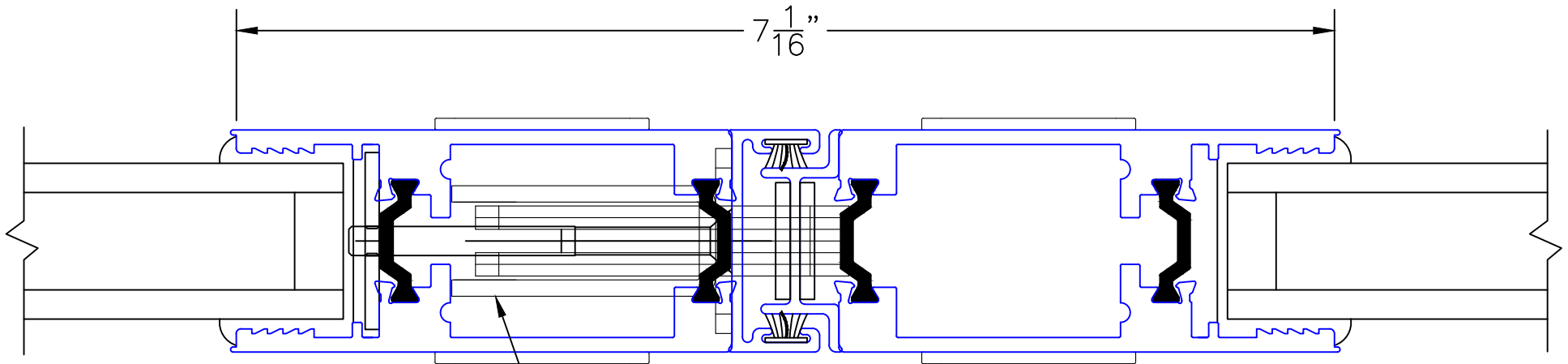
SCALE: FULL

MULTI-SLIDE DOOR DETAILS PXXIXXP DOOR SHOWN

7

MEETING STILES

7 ¹/₁₆"



ARCHETYPE NARROW
HARDWARE

EXTERIOR