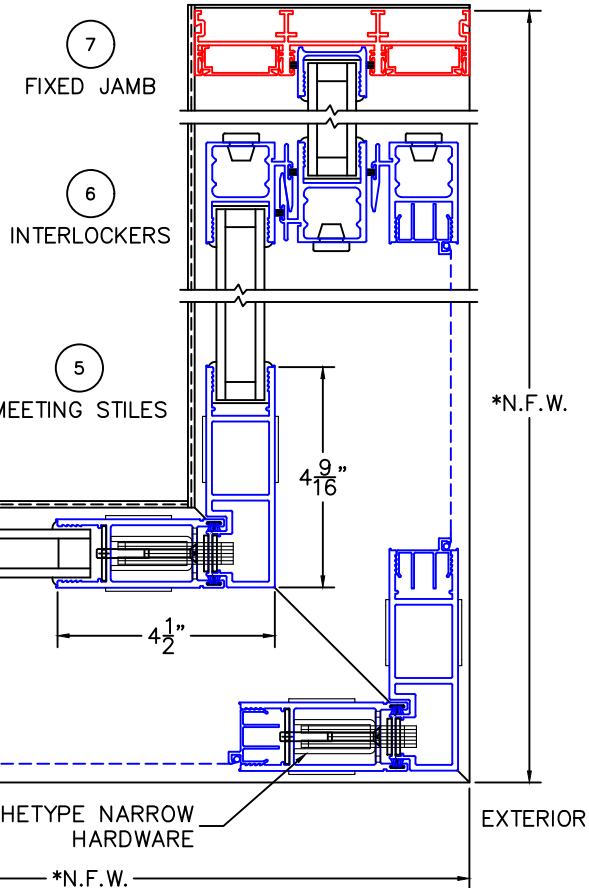
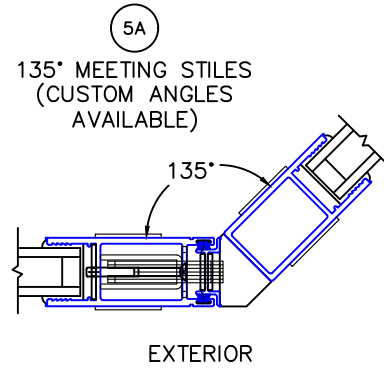
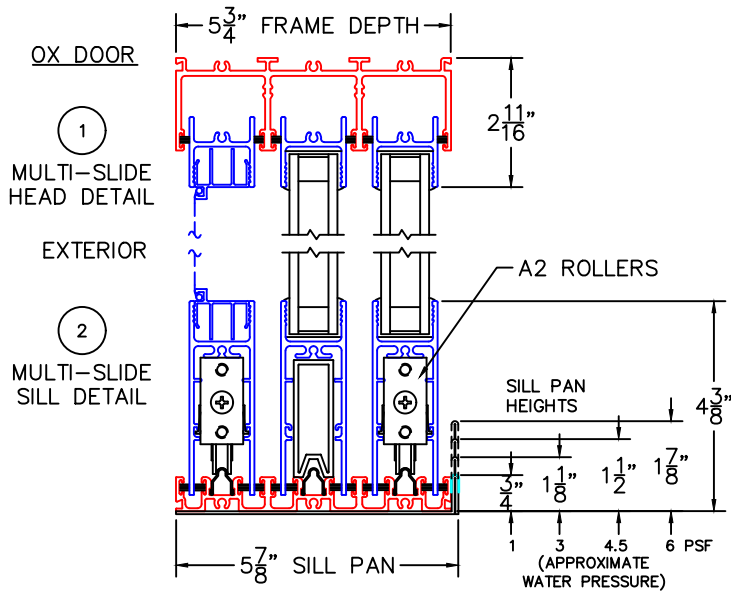


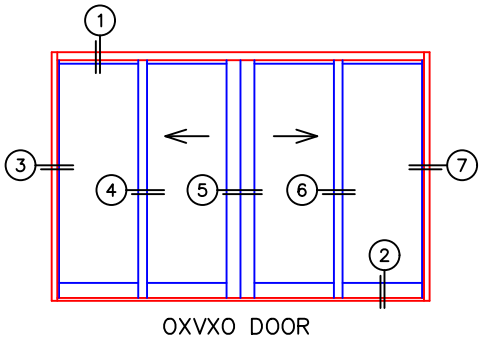


(USE RULER TO SCALE DIMENSIONS IN INCHES)  
**SCALE: 1/4**

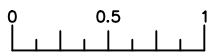
**MULTI-SLIDE CORNER DOOR DETAILS WITH SCREENS**



NOTE: CENTERLINES ARE NOT DIVIDED EQUALLY; CONFIRM CENTERLINES WHEN REQUIRED.



- GLASS PENETRATION: 11/16"
- \*NET FRAME WIDTH DOES NOT INCLUDE SILL PAN.
- SILL PAN EXTENDS 1/8" BEYOND EACH JAMB.
- FOR ADDITIONAL OPTIONS AND UPGRADES SEE DRAWINGS 3070-07, 3070-08 & 3070-11.
- EXTERIOR RATED PRODUCTS HAVE WEEP SLOTS ON HORIZONTAL SILLS.



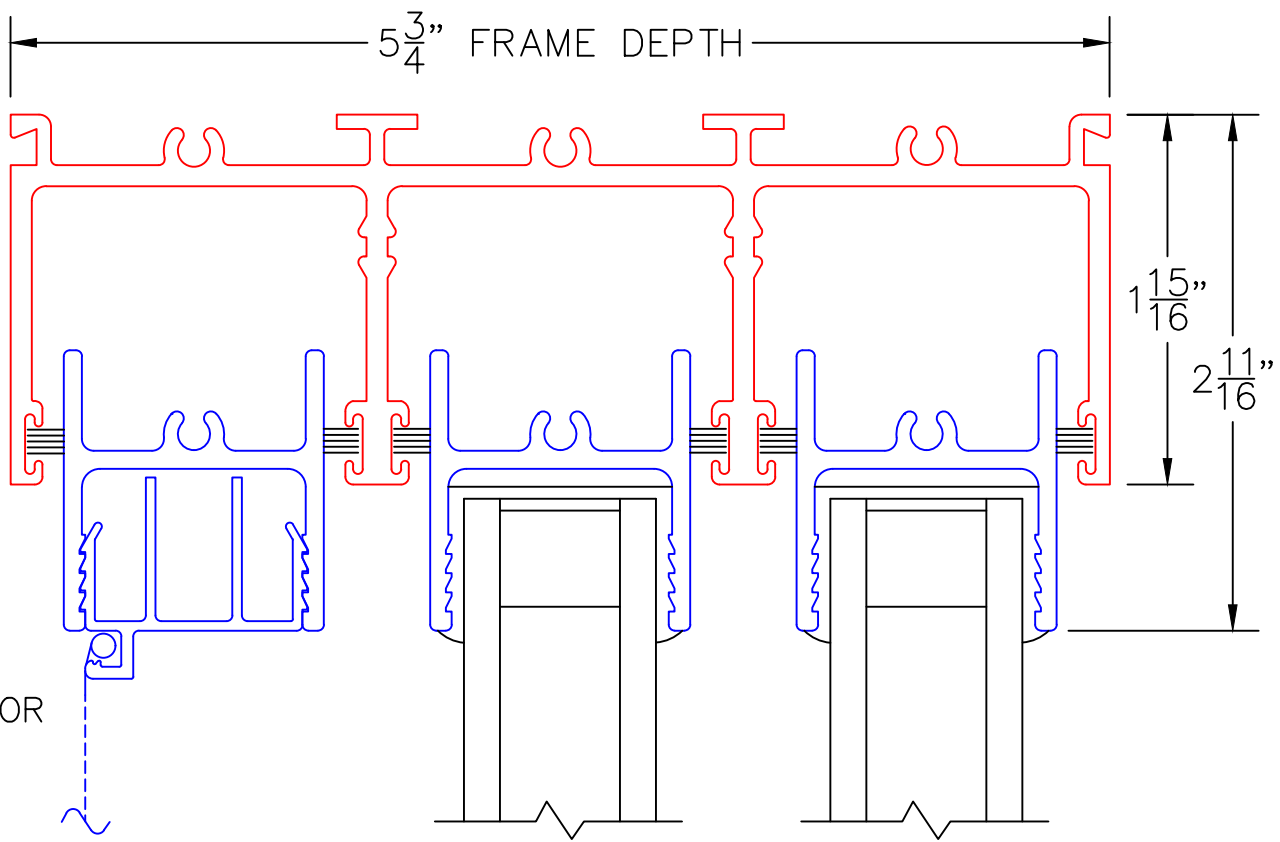
(USE RULER TO SCALE DIMENSIONS IN INCHES)

**SCALE: FULL**

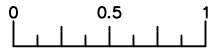
OX DOOR

1

MULTI-SLIDE  
HEAD DETAIL



OX DOOR



(USE RULER TO SCALE DIMENSIONS IN INCHES)

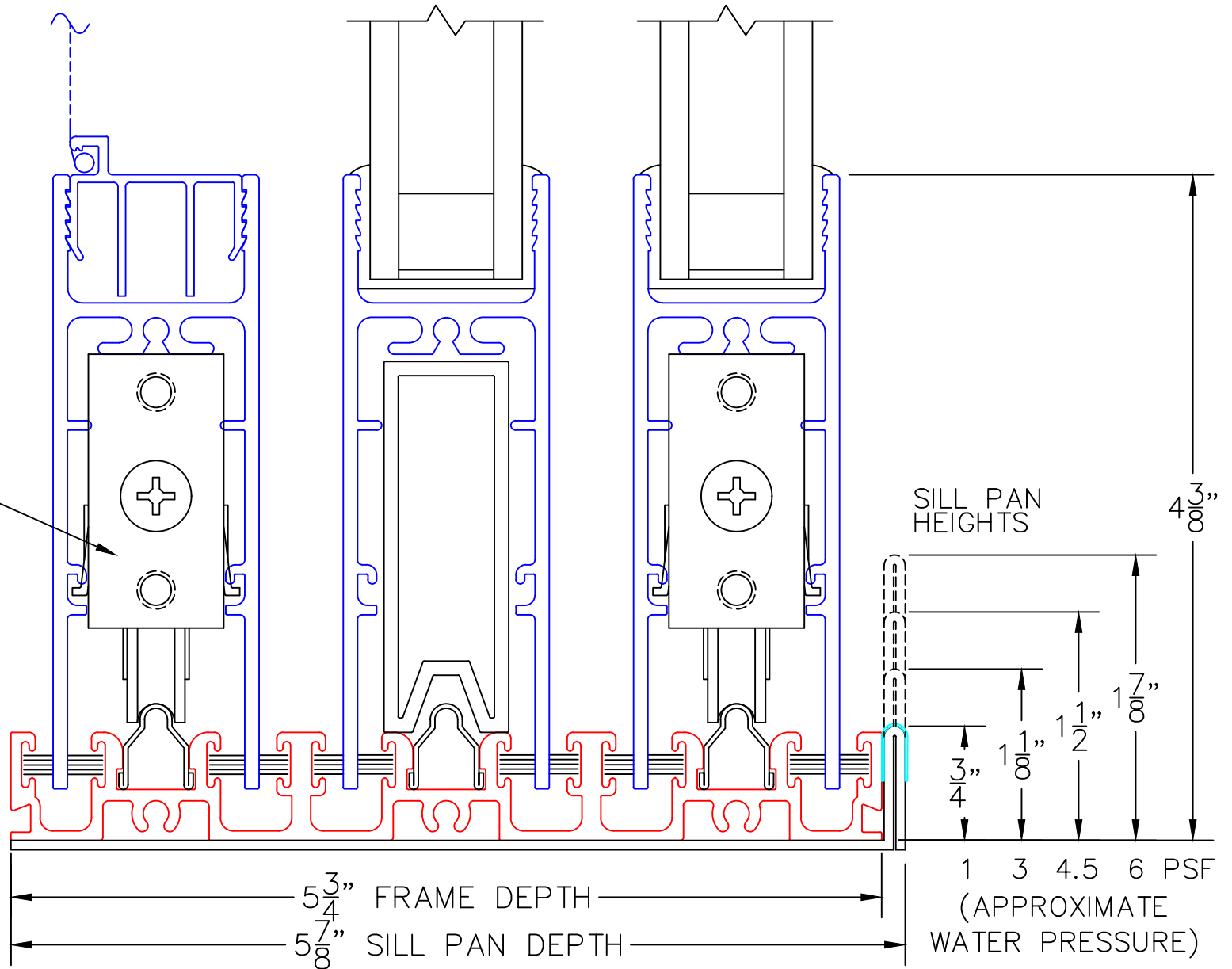
SCALE: FULL

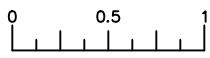
EXTERIOR

2

MULTI-SLIDE  
SILL DETAIL

A2 ROLLERS





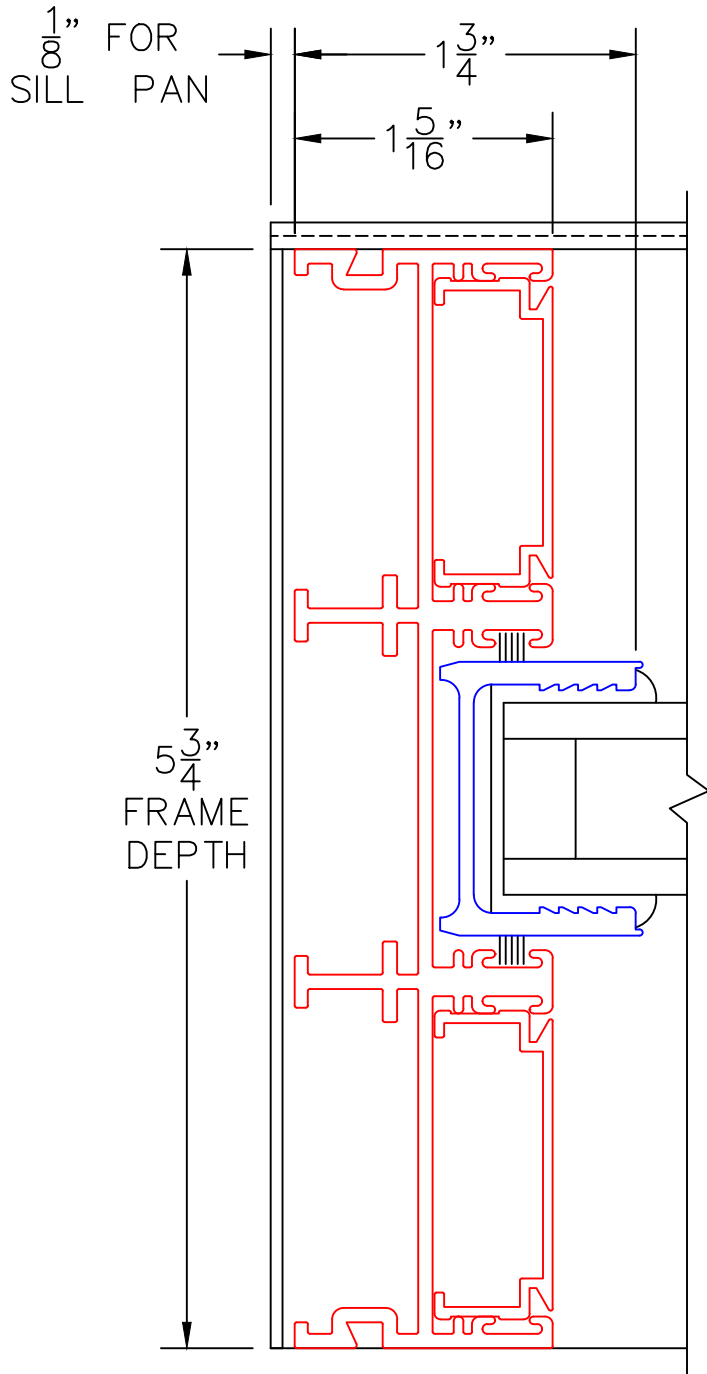
(USE RULER TO SCALE DIMENSIONS IN INCHES)

**SCALE: FULL**

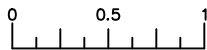
OX DOOR

3

FIXED JAMB



EXTERIOR



(USE RULER TO SCALE DIMENSIONS IN INCHES)

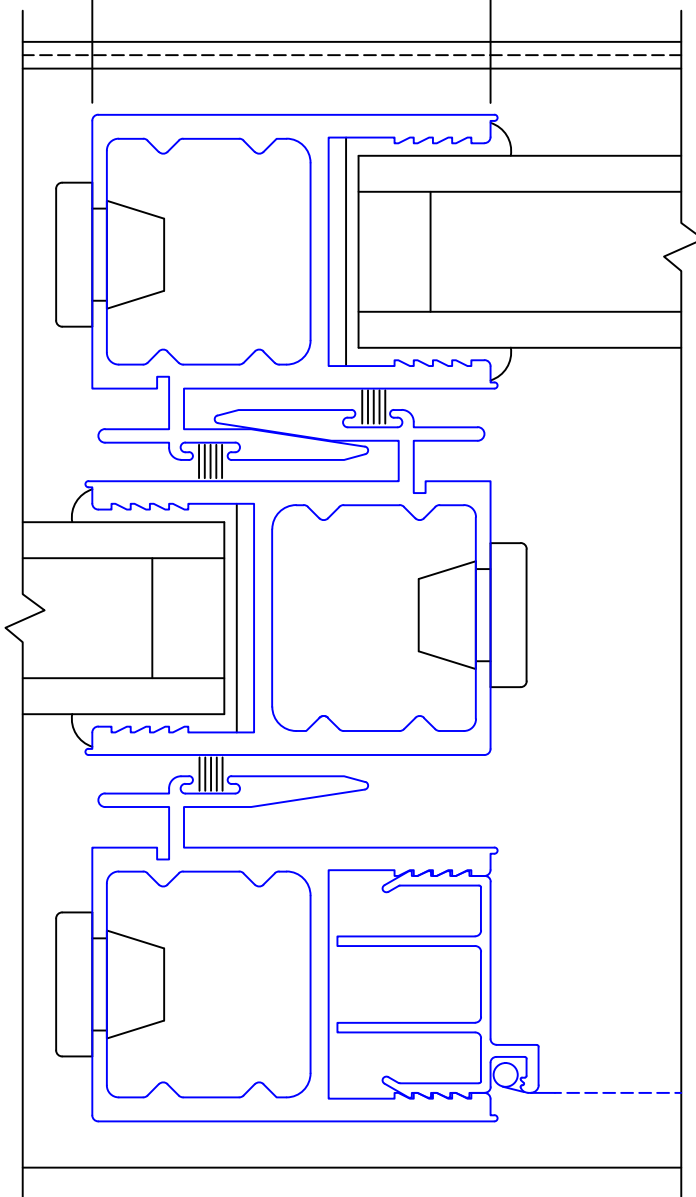
SCALE: FULL

OX DOOR

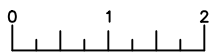
4

INTERLOCKERS

2 <sup>1</sup>/<sub>16</sub>''



EXTERIOR



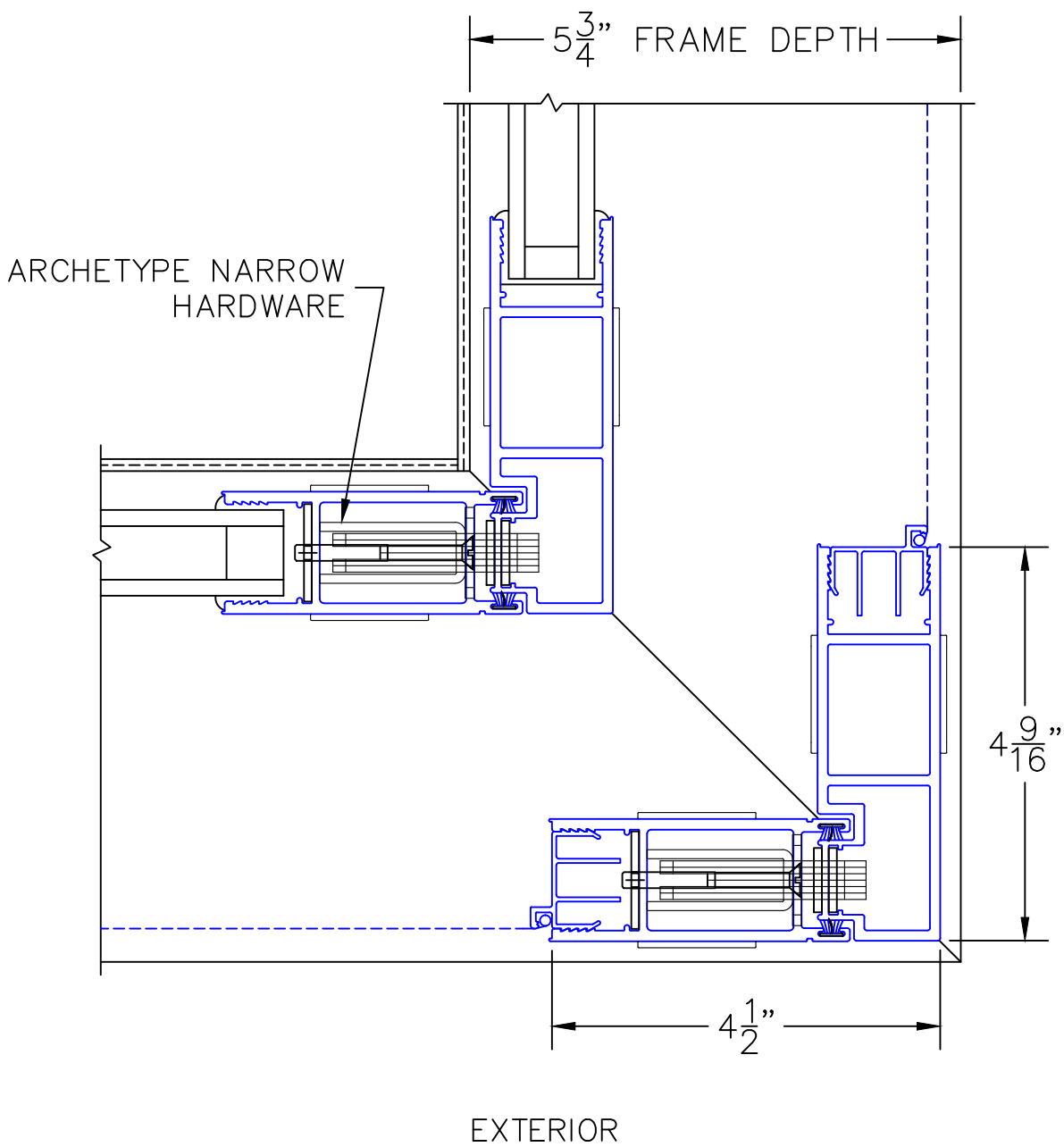
(USE RULER TO SCALE DIMENSIONS IN INCHES)

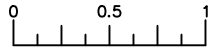
SCALE: 1/2

OXVXO DOOR

5

90° MEETING STILES





(USE RULER TO SCALE DIMENSIONS IN INCHES)

**SCALE: FULL**

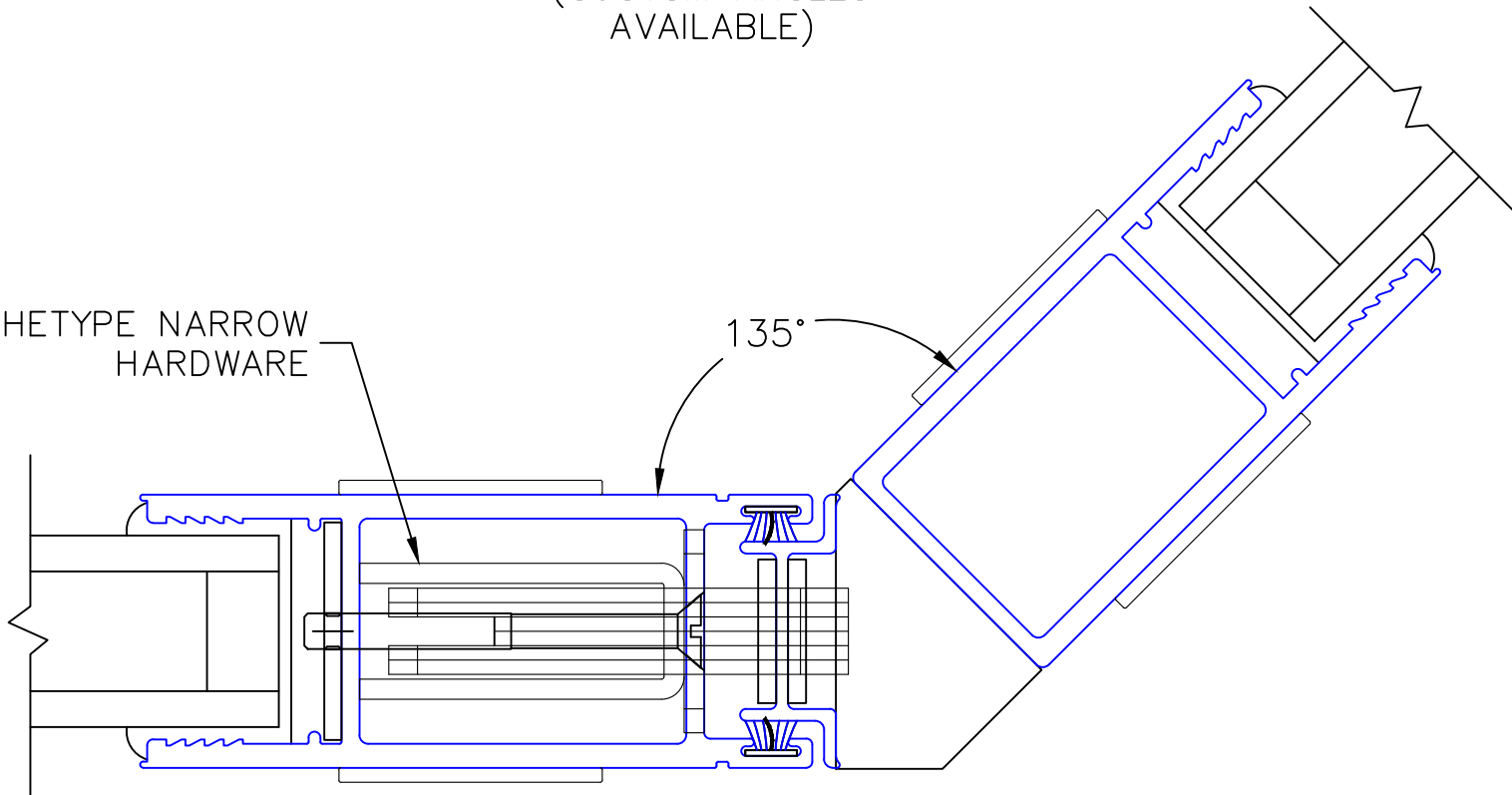
## OXVXO DOOR

5A

135° MEETING STILES  
(CUSTOM ANGLES  
AVAILABLE)

ARCHETYPE NARROW  
HARDWARE

135°



EXTERIOR