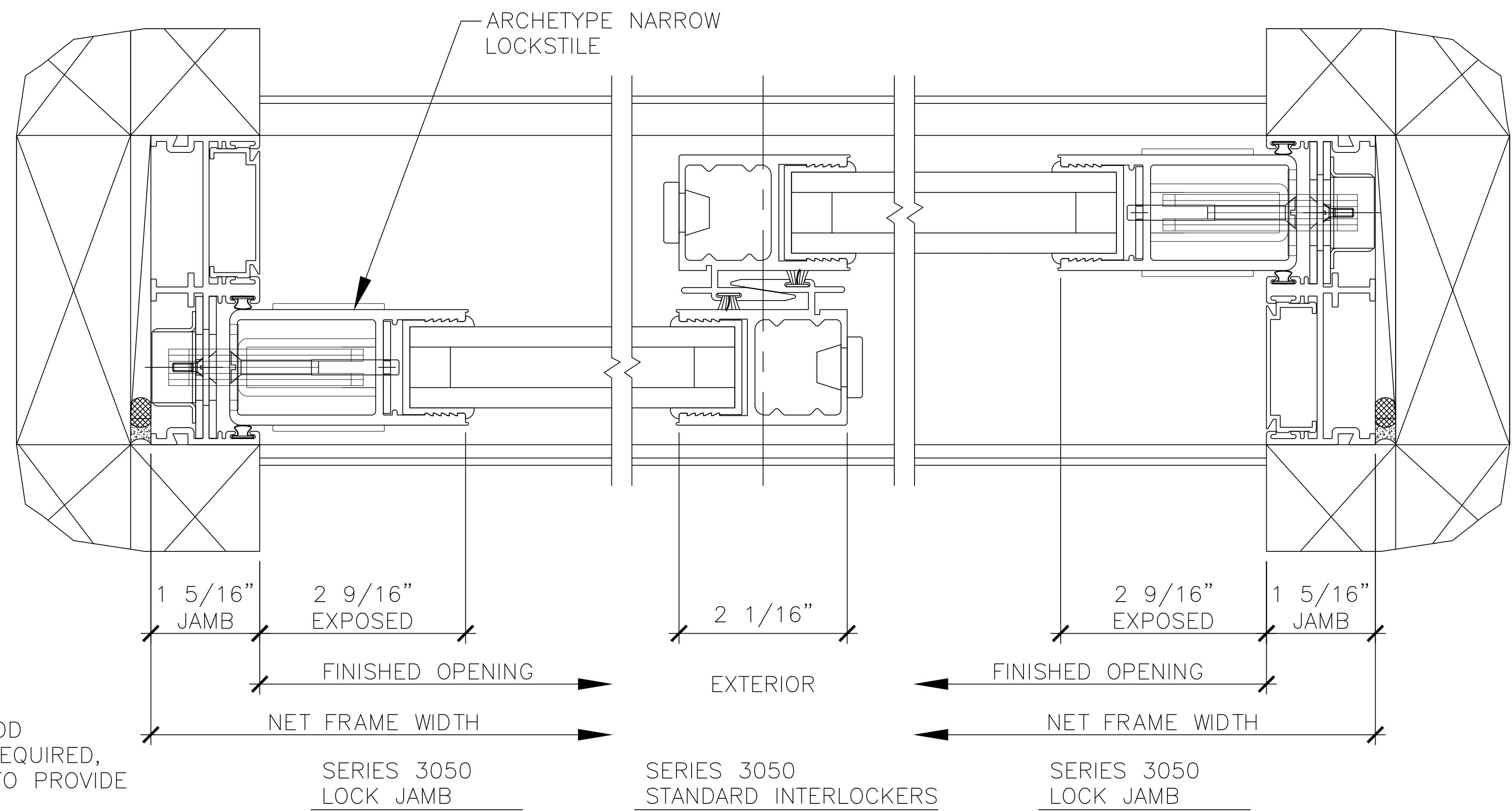
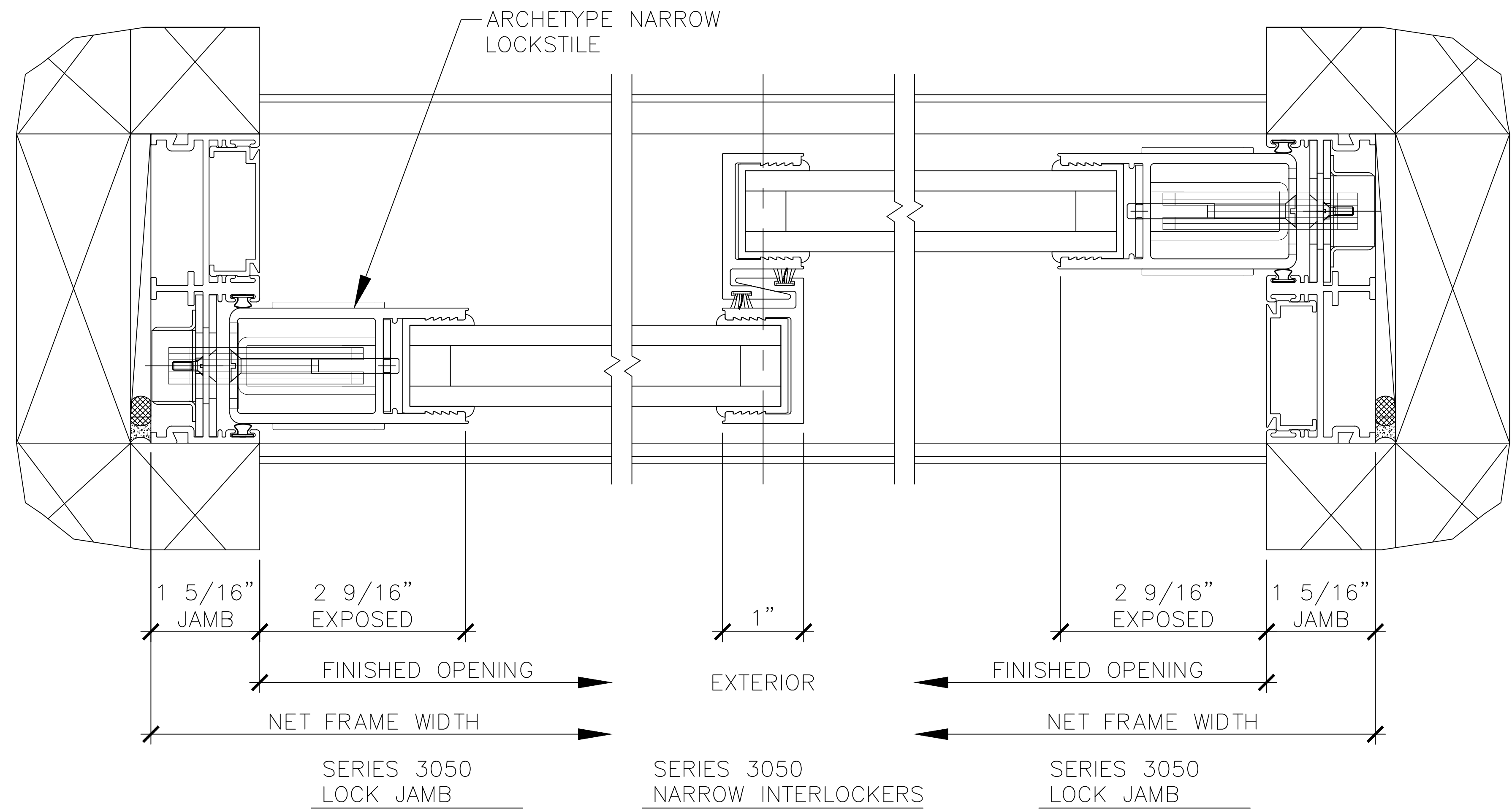
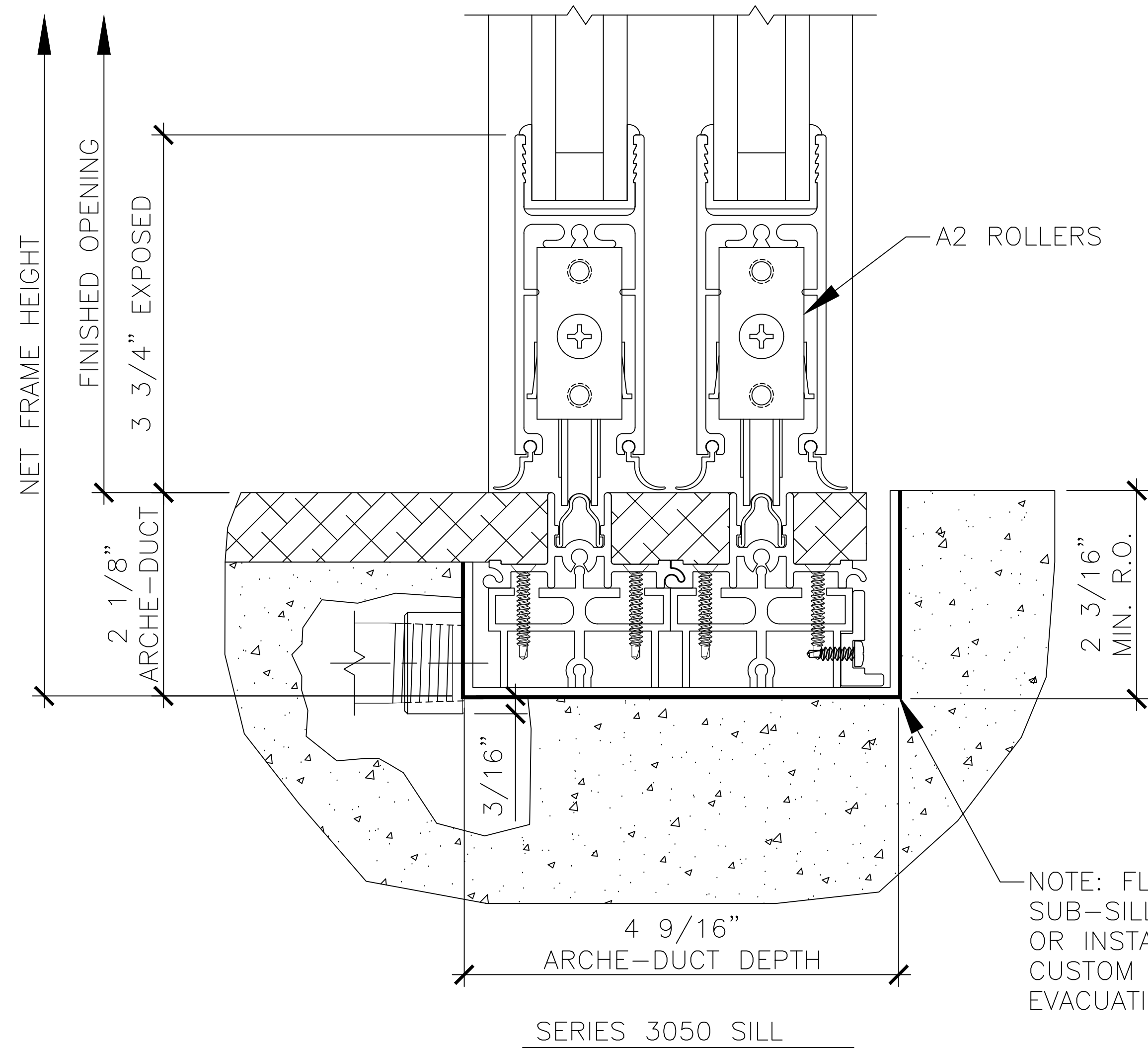
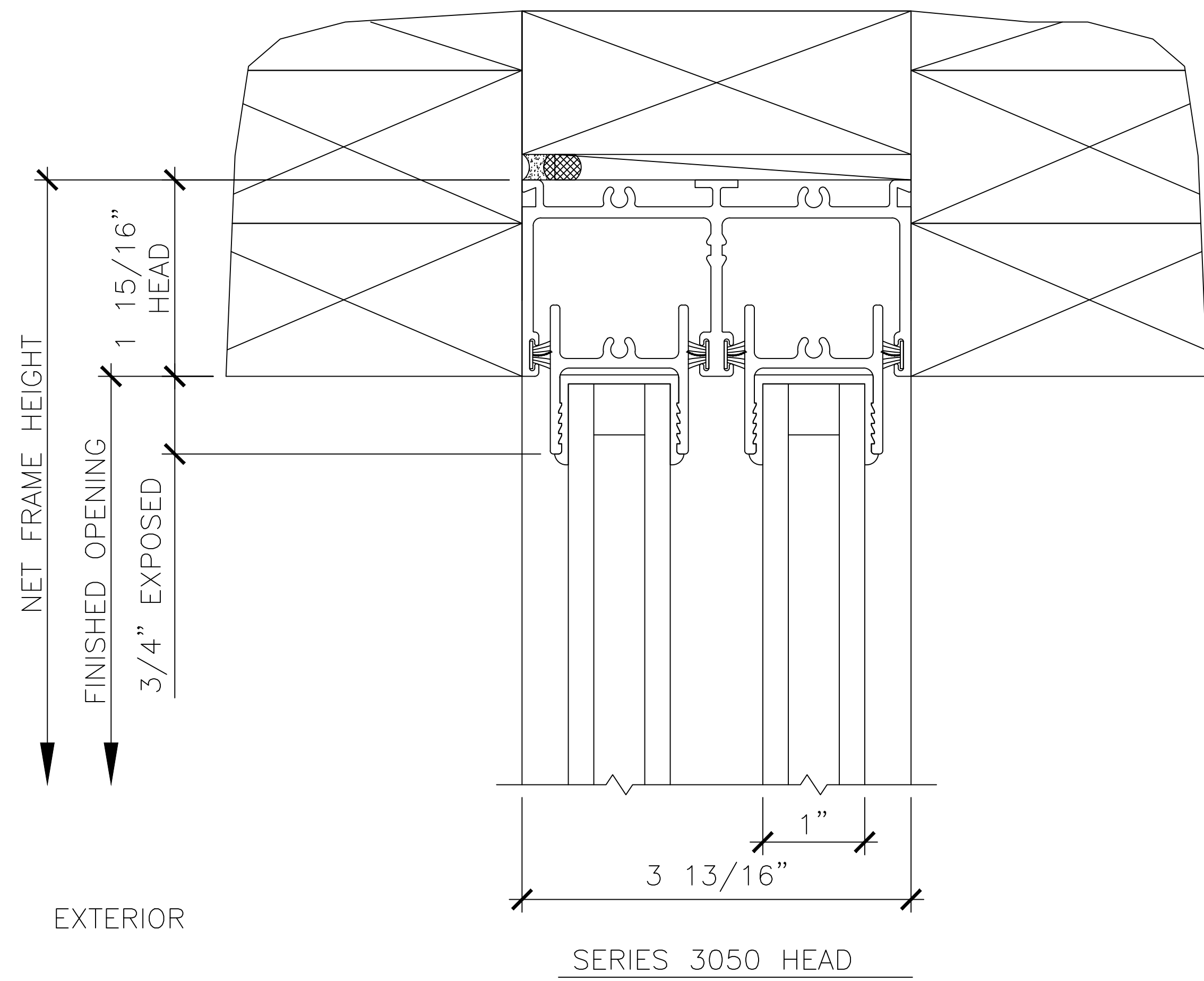


# 3050 CONCEPT WALL CONDITIONS\_OPTION 2



REVISIONS	DATE	DRAWN BY	COMMENTS

DRAWN BY: BL	DATE: 8/22/25	JOB NUMBER: NA
MATERIAL: SERIES 3050		
CUSTOMER: FLEETWOOD WINDOWS AND DOORS		
JOB NAME: STUCCO SURROUND R & D_OPTION 2		

1 FLEETWOOD WAY CORONA, CA 92879 www.fleetwoodusa.com
<b>FLEETWOOD</b> WINDOWS & DOORS
SCALE: 1" = 1"
DRAWING NO.: 1.01
SHEET: 1 OF 1