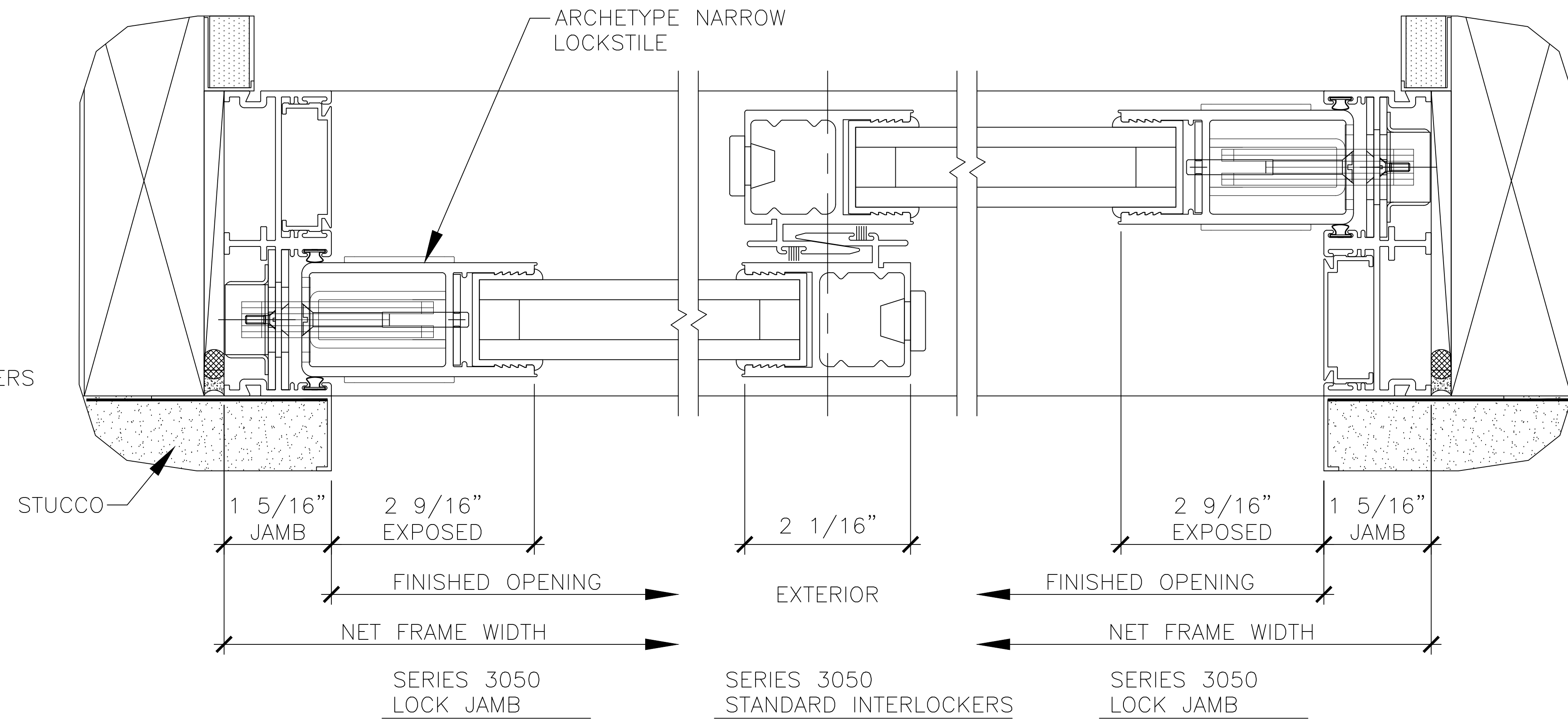
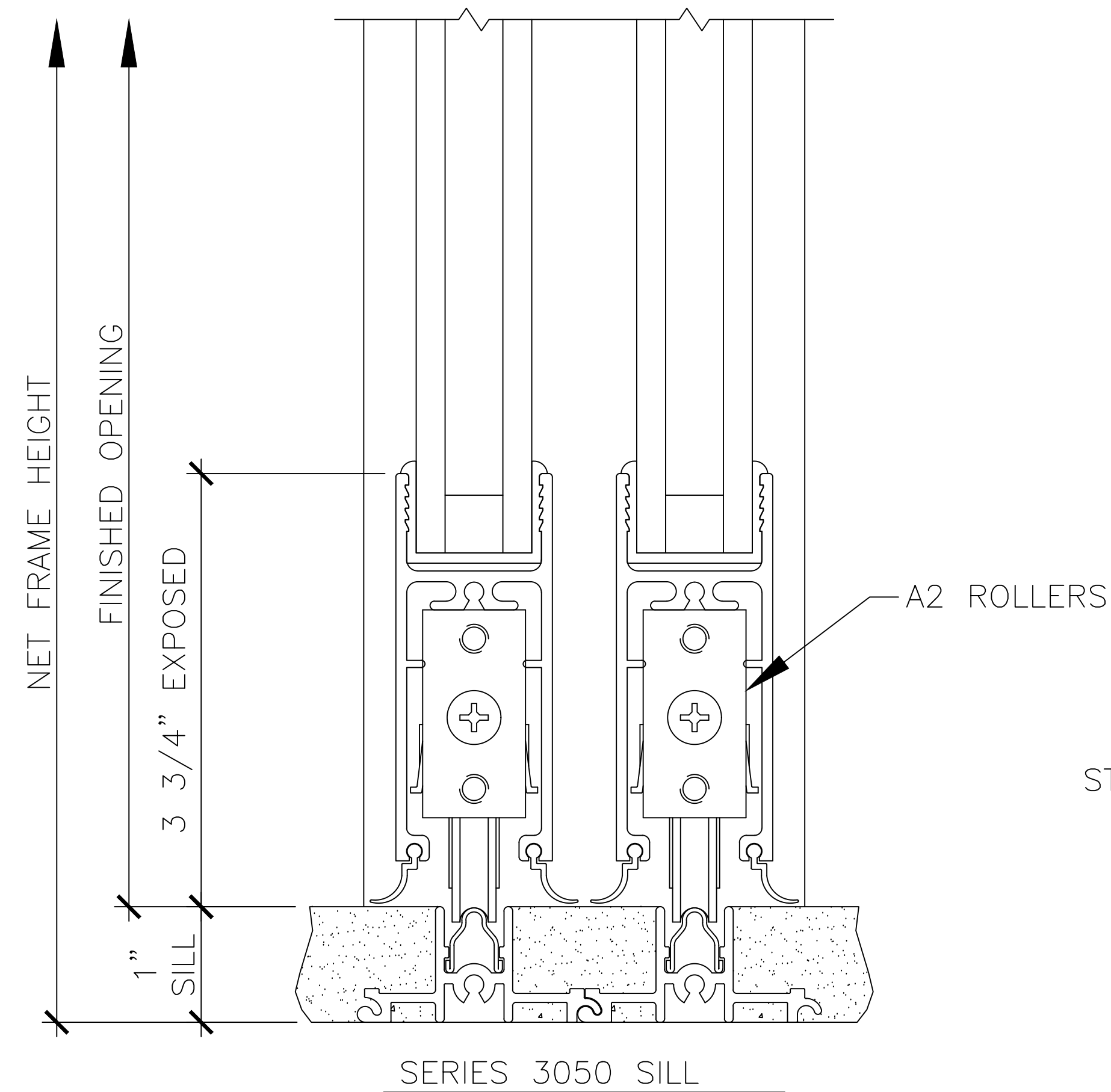
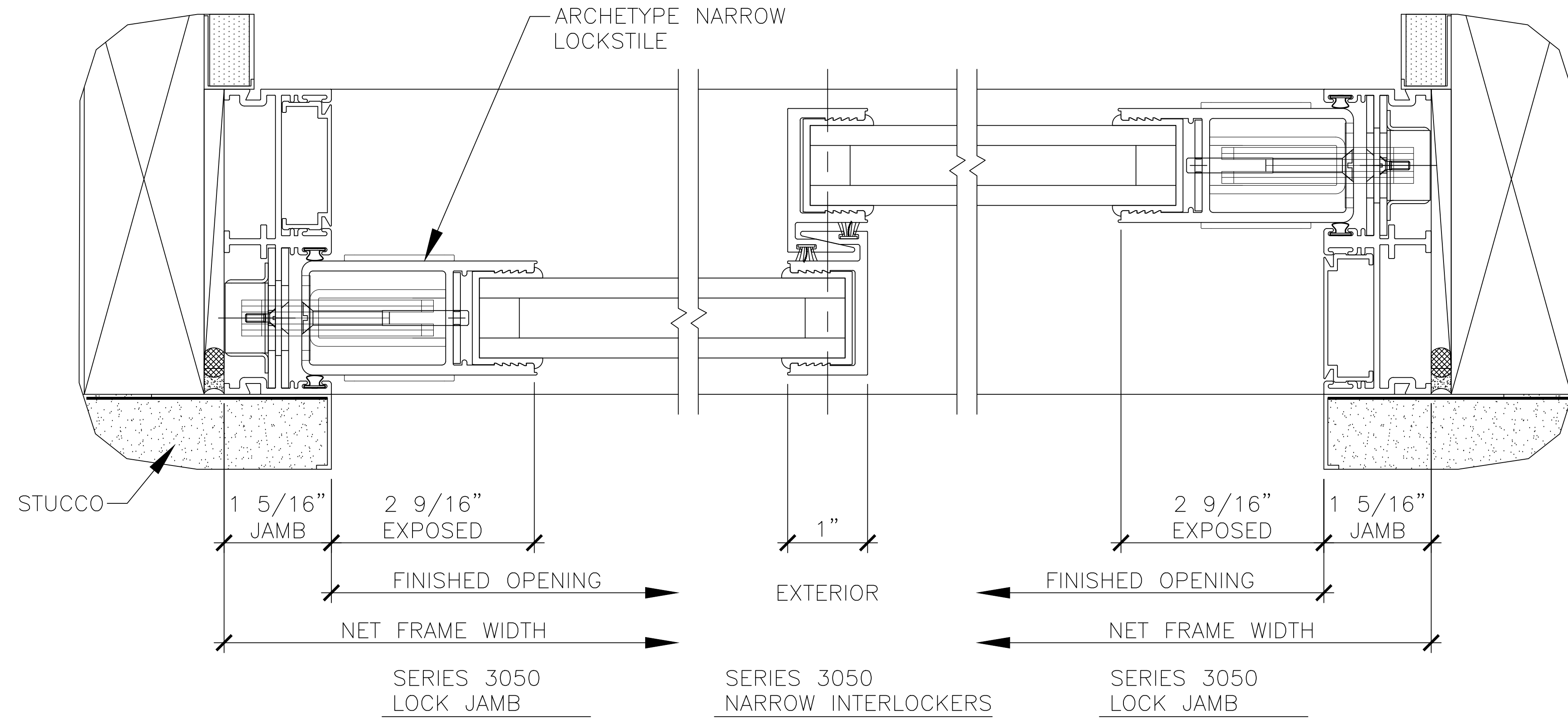
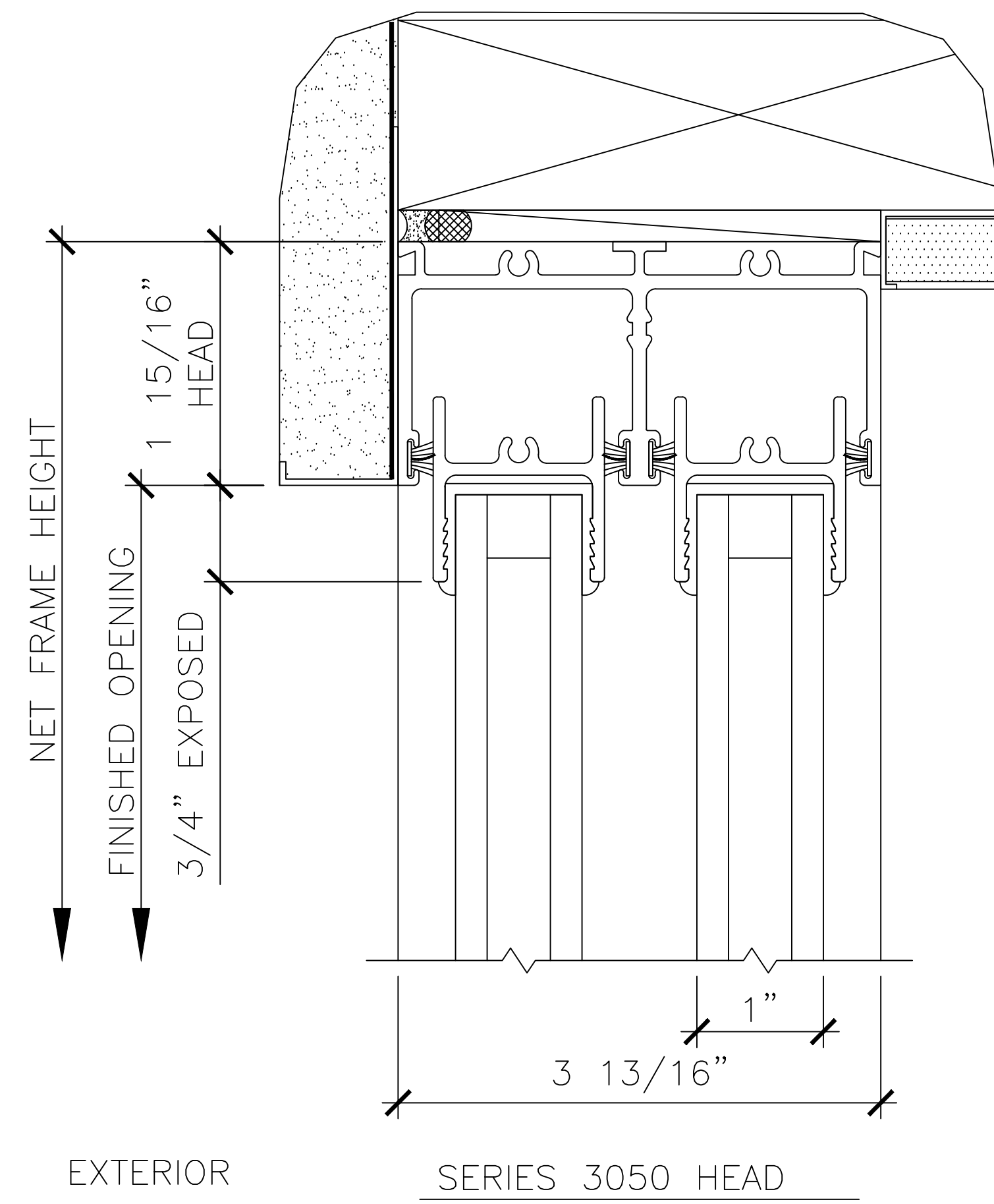


# 3050 CONCEPT WALL CONDITIONS\_OPTION 1



REVISIONS	DATE	DRAWN BY	COMMENTS

MATERIAL: SERIES 3050	DATE: 8/22/25	DRAWN BY: BL	COMMENTS:
CUSTOMER: FLEETWOOD WINDOWS AND DOORS	JOB NUMBER: NA	JOB NAME: STUCCO SURROUND R & D_OPTION 1	

1 FLEETWOOD WAY CORONA, CA 92879 www.fleetwoodusa.com
<b>FLEETWOOD</b> WINDOWS & DOORS
SCALE : 1" = 1"
DRAWING NO. : 1.01
SHEET : 1 OF 1