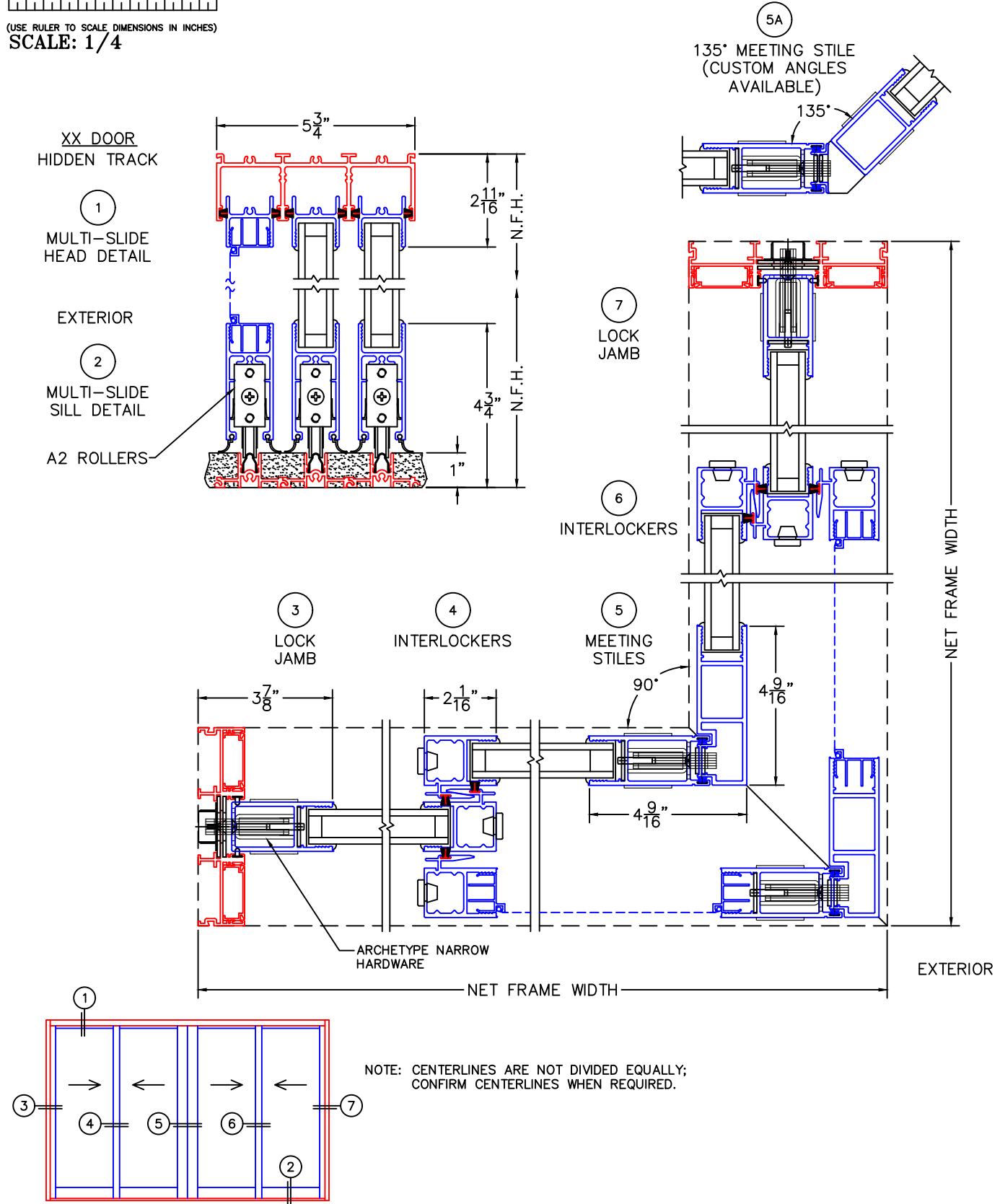


(USE RULER TO SCALE DIMENSIONS IN INCHES)

SCALE: 1/4"

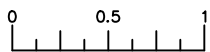
MULTI-SLIDE CORNER DOOR DETAILS WITH SCREENS



FOR ADDITIONAL OPTIONS AND UPGRADES  
SEE DRAWINGS 3050-08, 3050-09 & 3050-10.

-GLASS PENETRATION: 11/16"

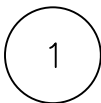
**SERIES 3050**



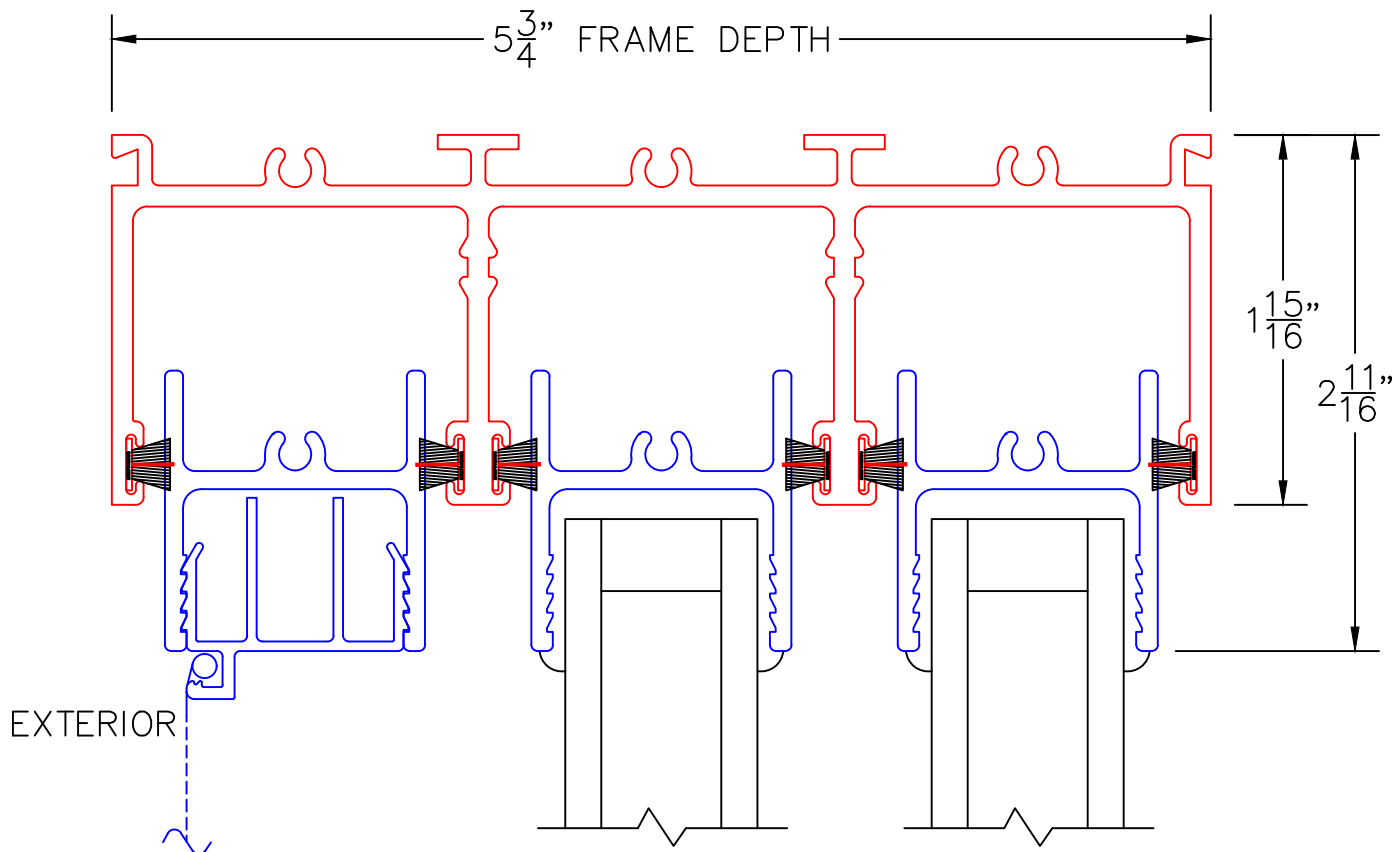
(USE RULER TO SCALE DIMENSIONS IN INCHES)

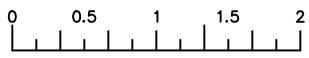
SCALE: FULL

XX DOOR



MULTI-SLIDE  
HEAD DETAIL





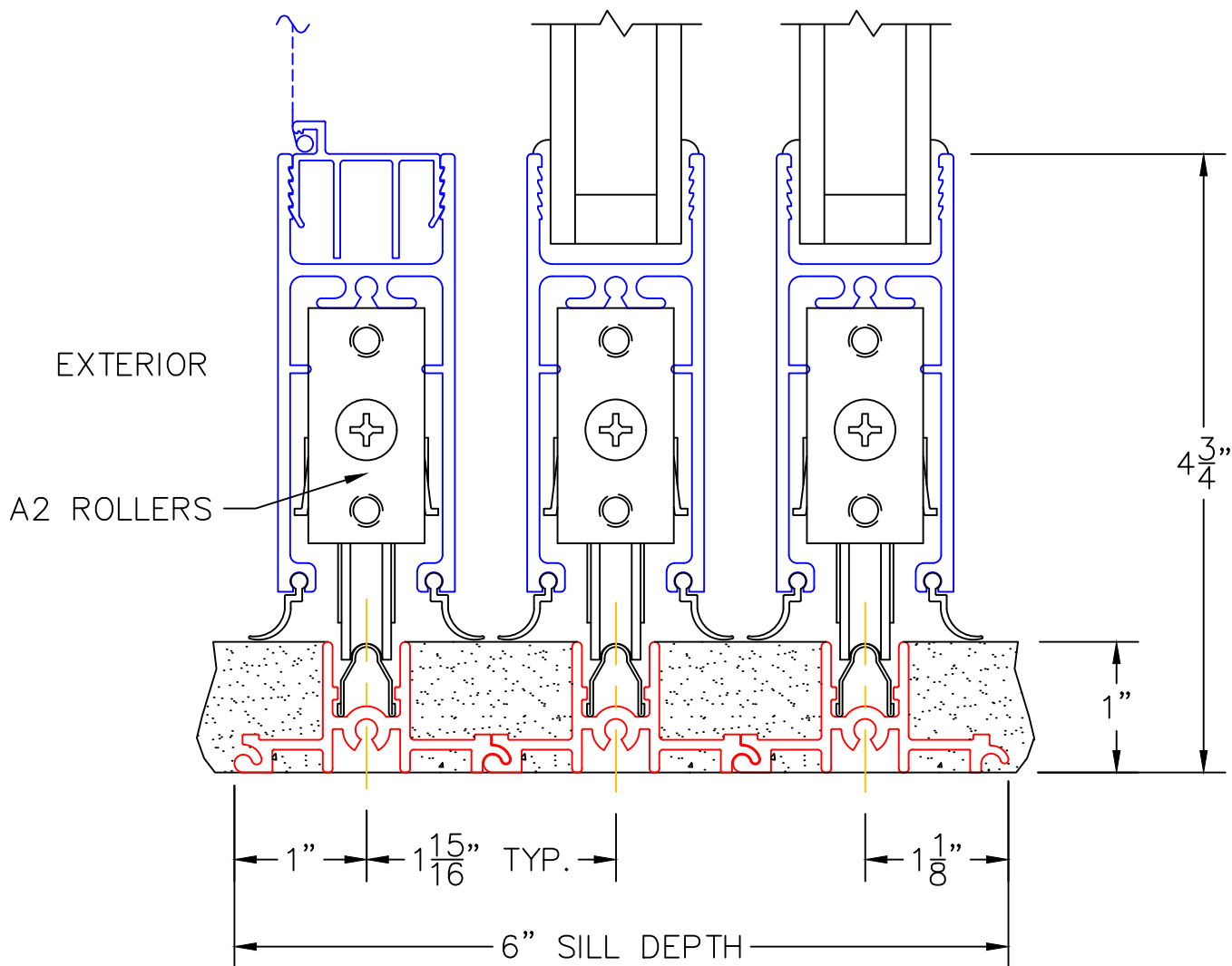
(USE RULER TO SCALE DIMENSIONS IN INCHES)

SCALE: 3/4

XX DOOR  
HIDDEN TRACK

2

MULTI-SLIDE  
SILL DETAIL

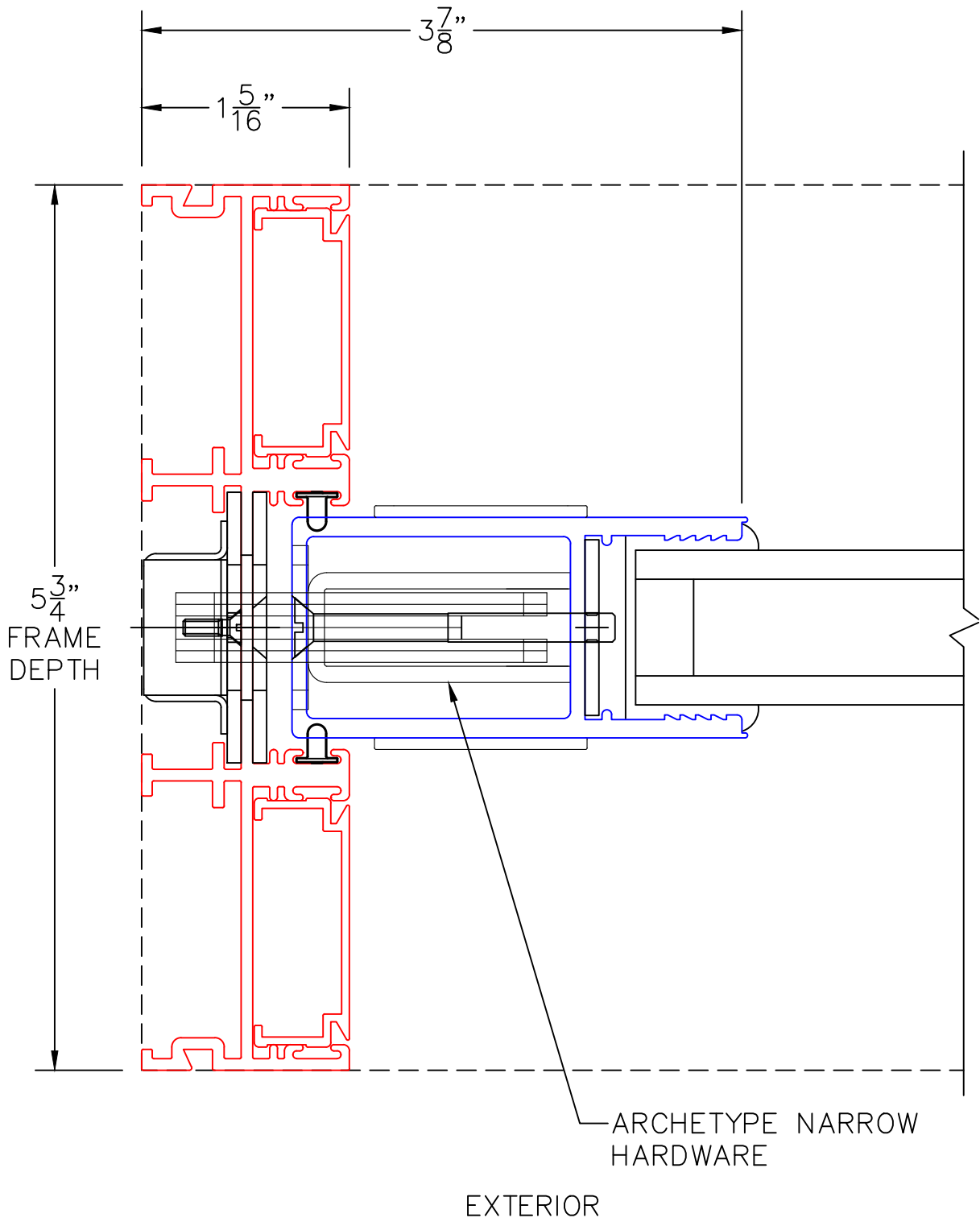


0 0.5 1  
(USE RULER TO SCALE DIMENSIONS IN INCHES)  
**SCALE: FULL**

XX DOOR  
HIDDEN TRACK

3

LOCK JAMB



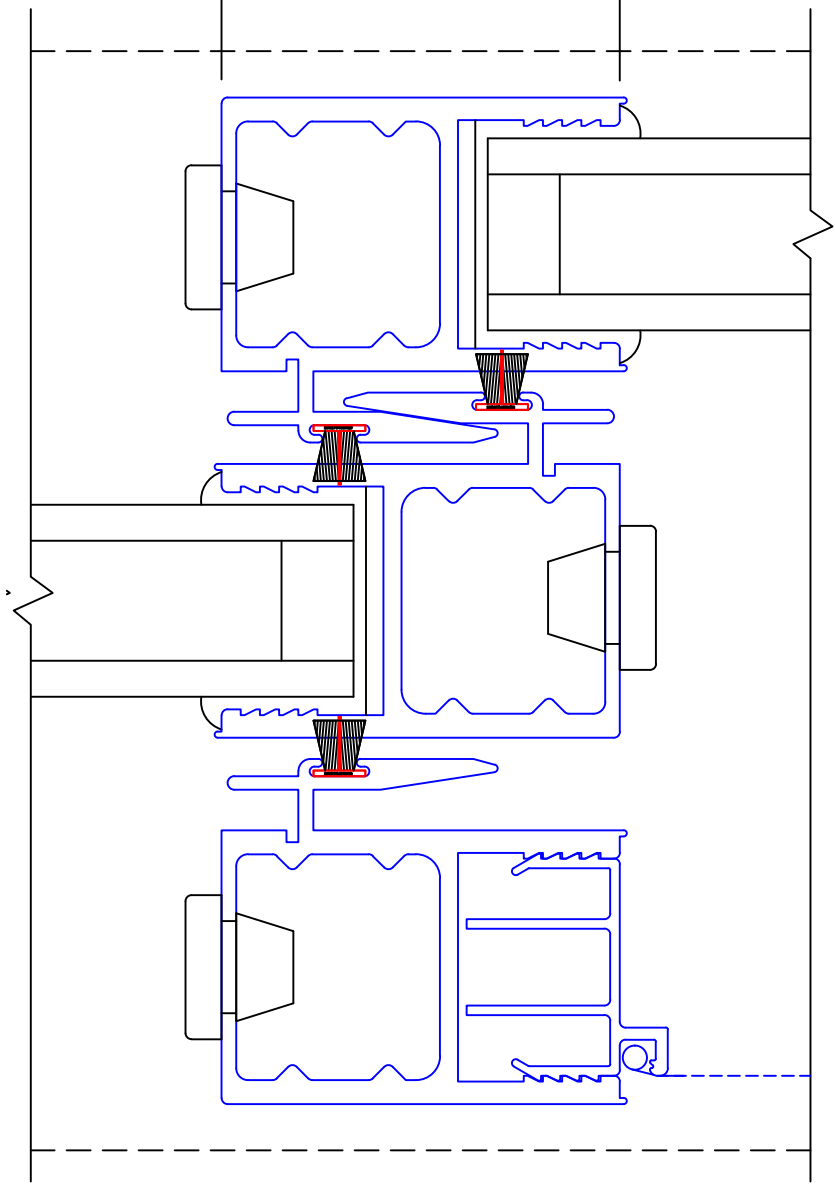
0 0.5 1  
(USE RULER TO SCALE DIMENSIONS IN INCHES)  
**SCALE: FULL**

XX DOOR  
HIDDEN TRACK

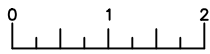
4

INTERLOCKERS

$2\frac{1}{16}$ "



EXTERIOR



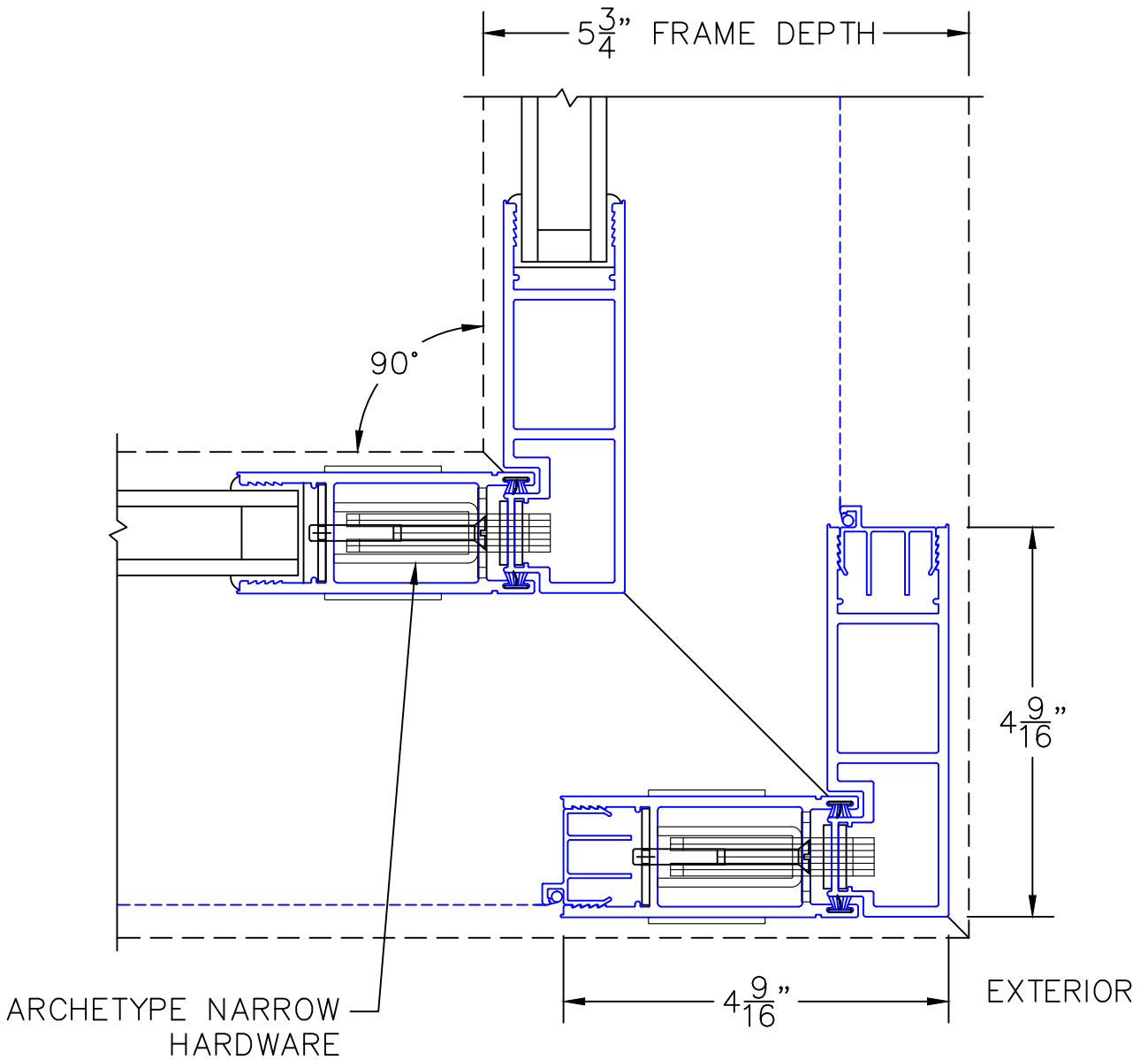
(USE RULER TO SCALE DIMENSIONS IN INCHES)

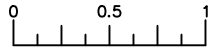
SCALE: 1/2

XXVXX DOOR  
HIDDEN TRACK

5

90° MEETING STILES





(USE RULER TO SCALE DIMENSIONS IN INCHES)

**SCALE: FULL**

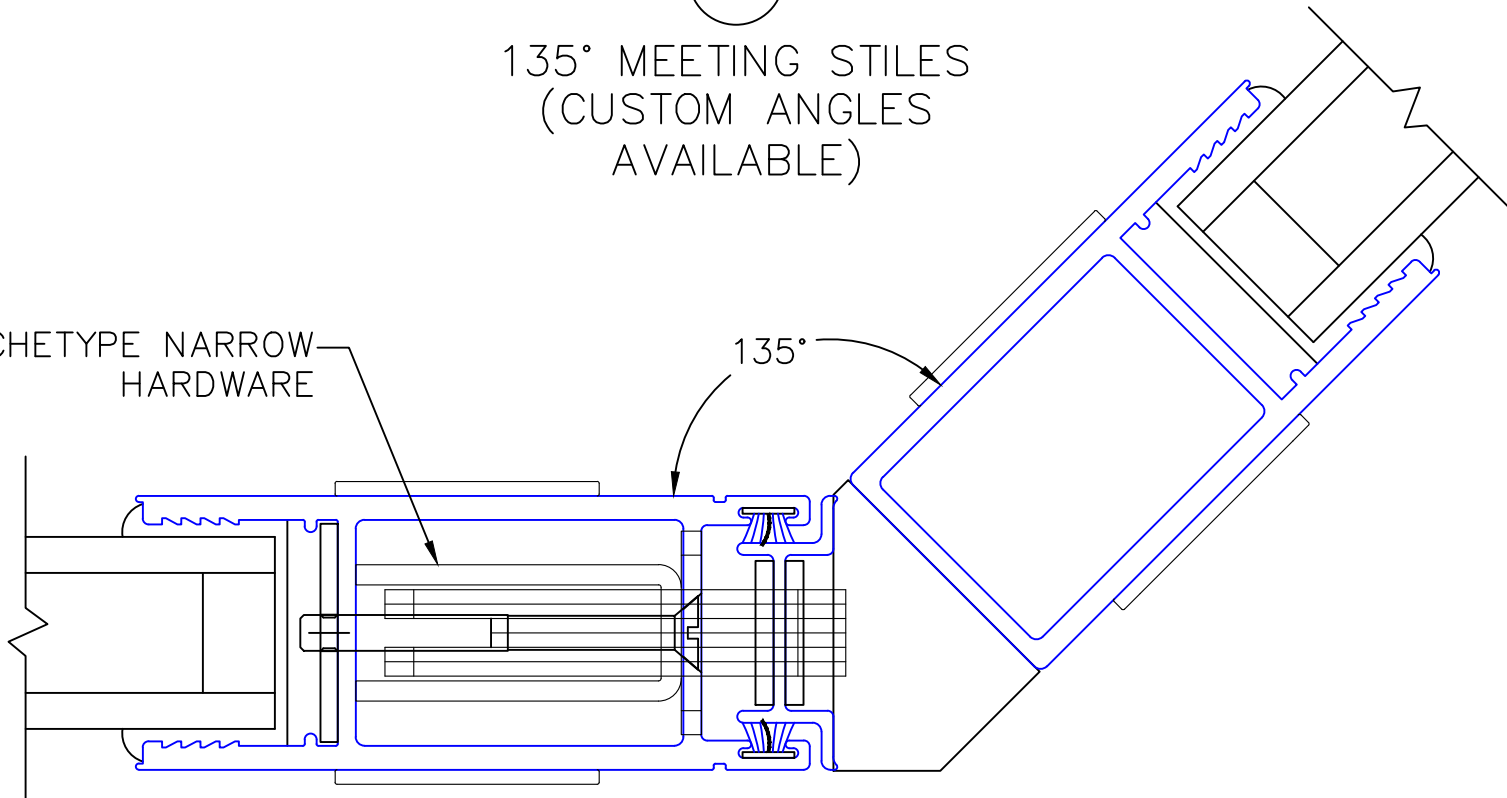
XXVXX DOOR

5A

135° MEETING STILES  
(CUSTOM ANGLES  
AVAILABLE)

ARCHETYPE NARROW  
HARDWARE

135°



EXTERIOR