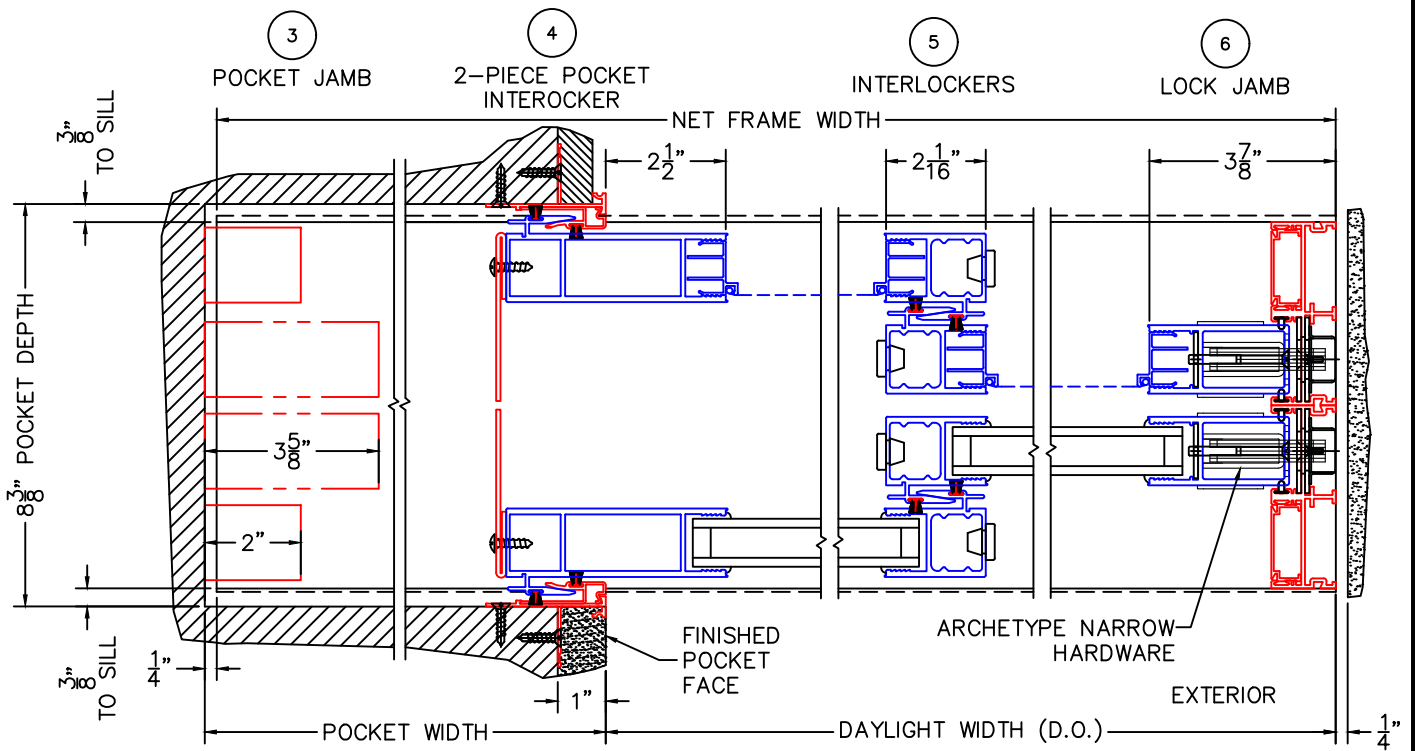
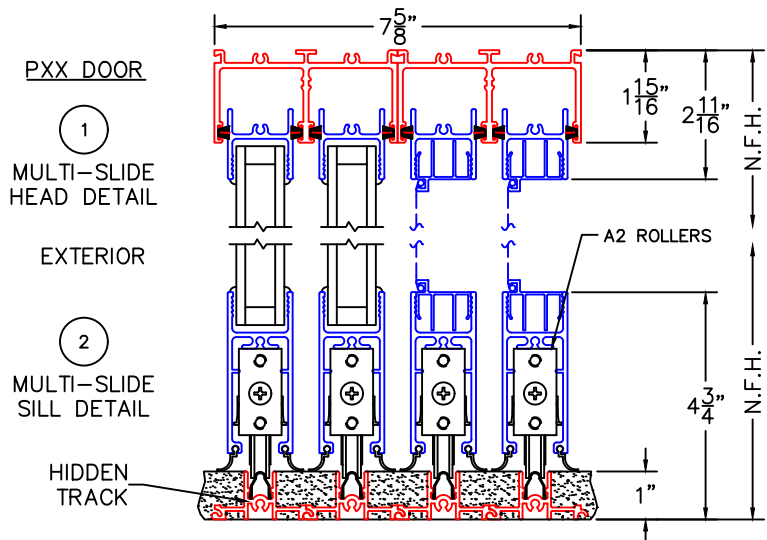


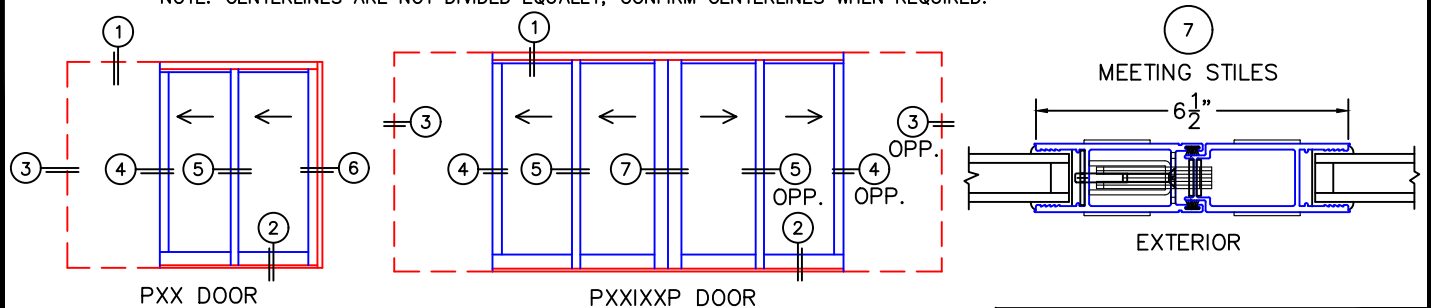
(USE RULER TO SCALE DIMENSIONS IN INCHES)

SCALE: 1/4

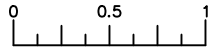
MULTI-SLIDE POCKET DOOR DETAILS WITH SCREENS



NOTE: CENTERLINES ARE NOT DIVIDED EQUALLY; CONFIRM CENTERLINES WHEN REQUIRED.



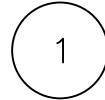
- GLASS PENETRATION: 11/16"
- ENCLOSED PX AND XP DOORS MAY REQUIRE POCKET DEMO FOR PANEL REMOVAL.
- FOR ADDITIONAL OPTIONS AND UPGRADES SEE DRAWINGS 3050-08, 3050-09 & 3050-10.



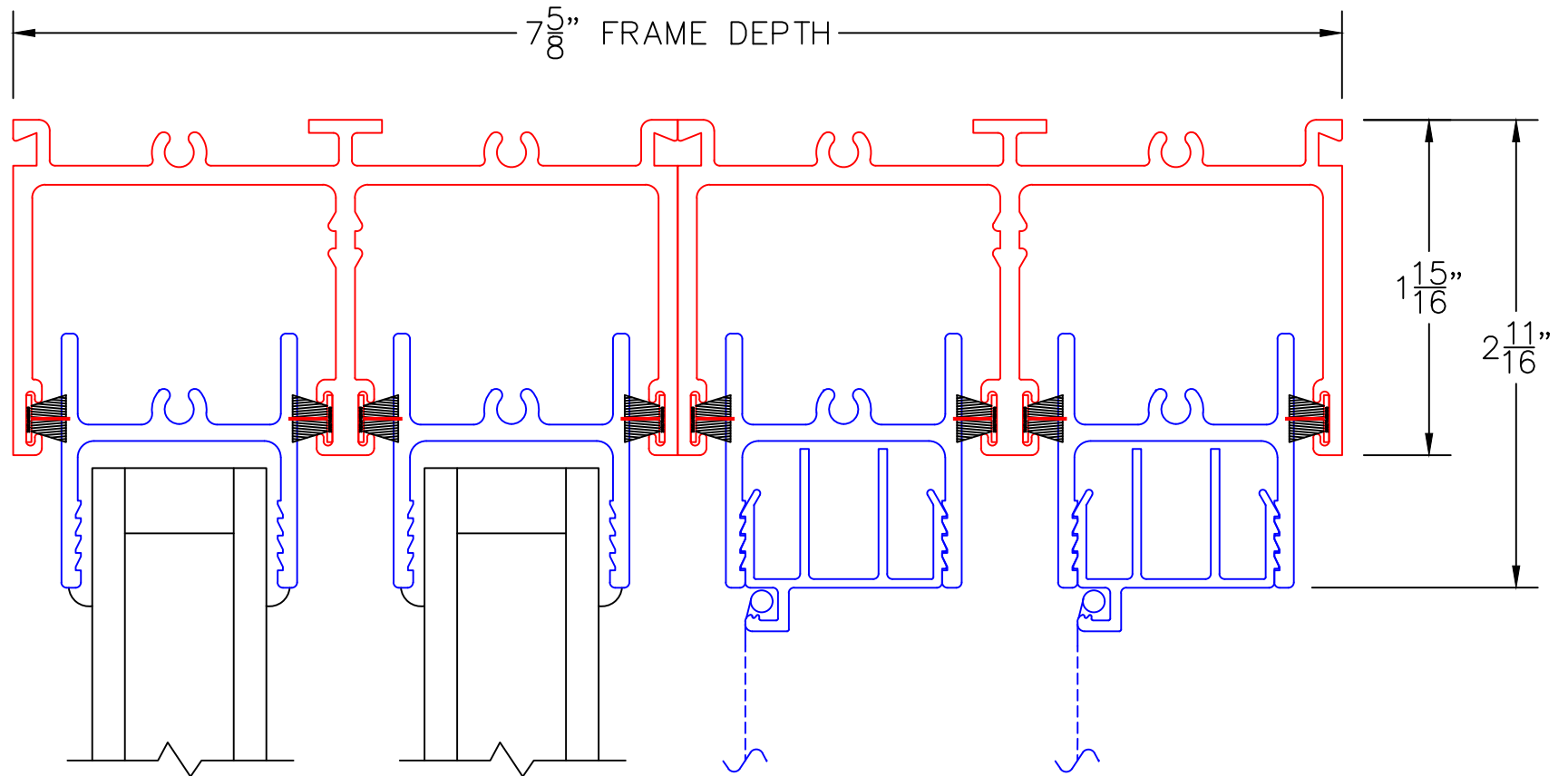
(USE RULER TO SCALE DIMENSIONS IN INCHES)

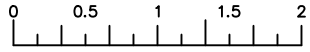
SCALE: FULL

PXX DOOR
HIDDEN TRACK



MULTI-SLIDE
HEAD DETAIL





(USE RULER TO SCALE DIMENSIONS IN INCHES)

SCALE: 3/4

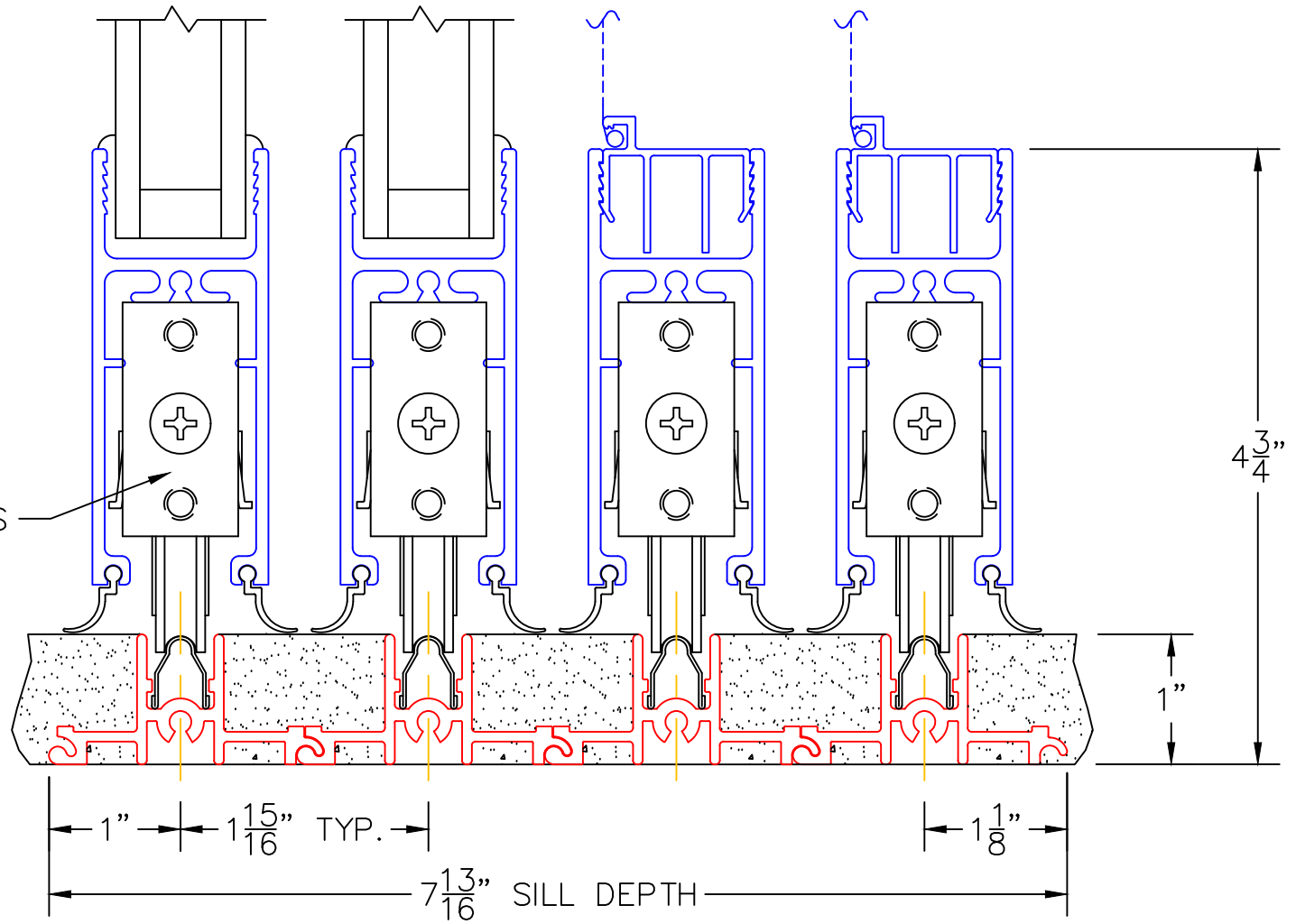
PXX DOOR HIDDEN TRACK

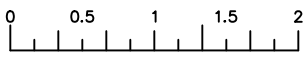
EXTERIOR

2

MULTI-SLIDE
SILL DETAIL

A2 ROLLERS





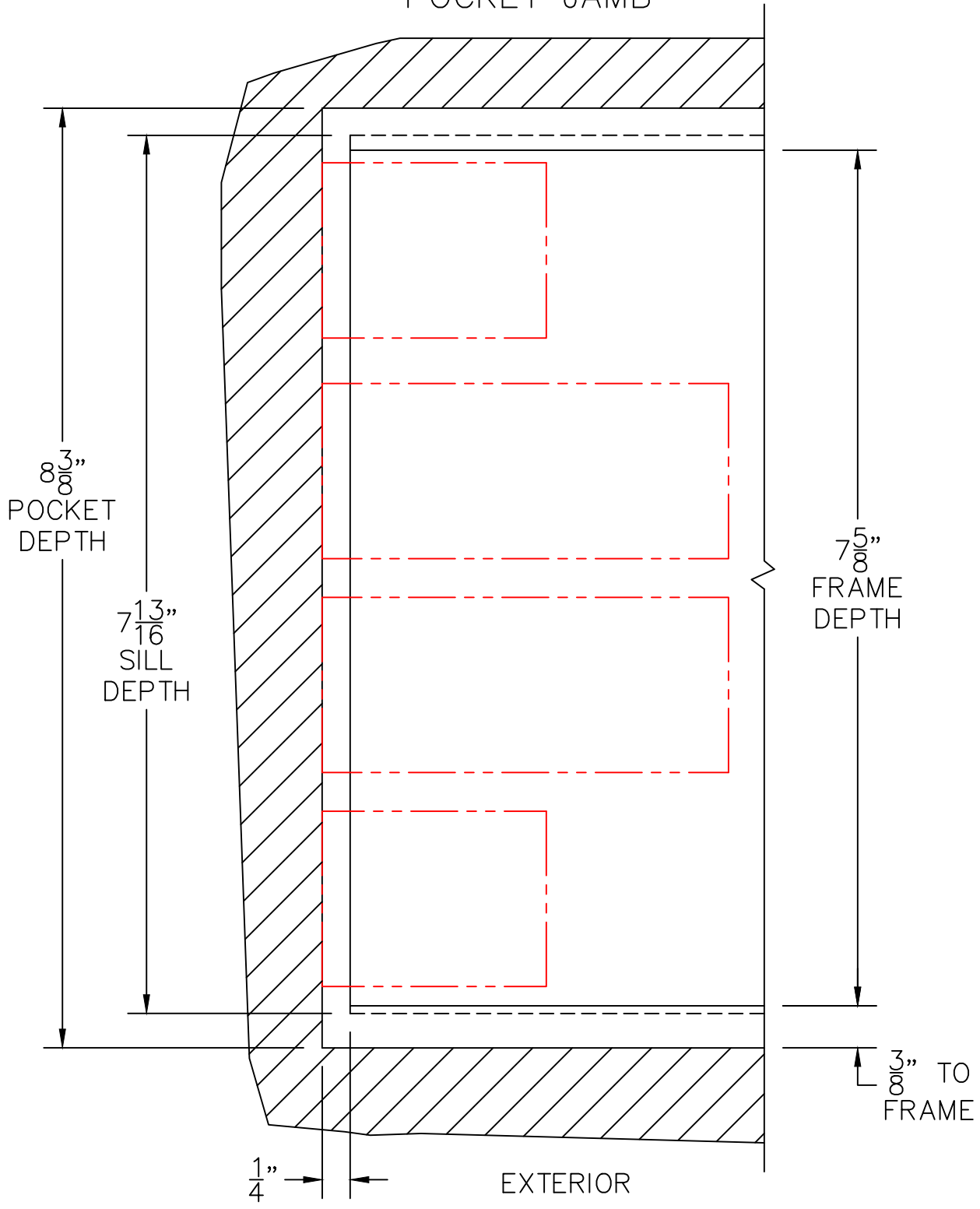
(USE RULER TO SCALE DIMENSIONS IN INCHES)

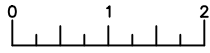
SCALE: 3/4

PX DOOR
HIDDEN TRACK

3

POCKET JAMB





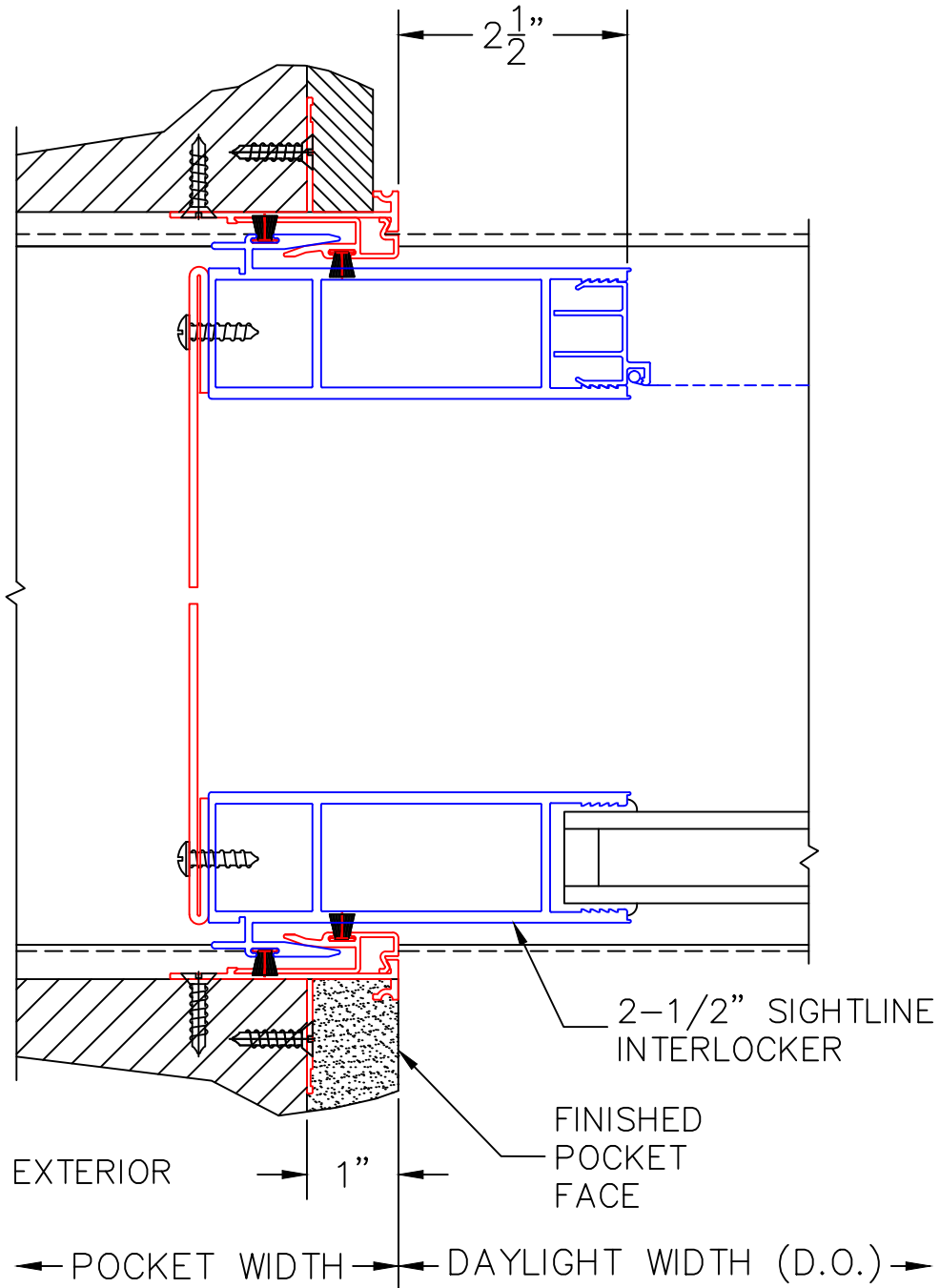
(USE RULER TO SCALE DIMENSIONS IN INCHES)

SCALE: 1/2

PXX DOOR
HIDDEN TRACK

4

2-PIECE POCKET
INTERLOCKER



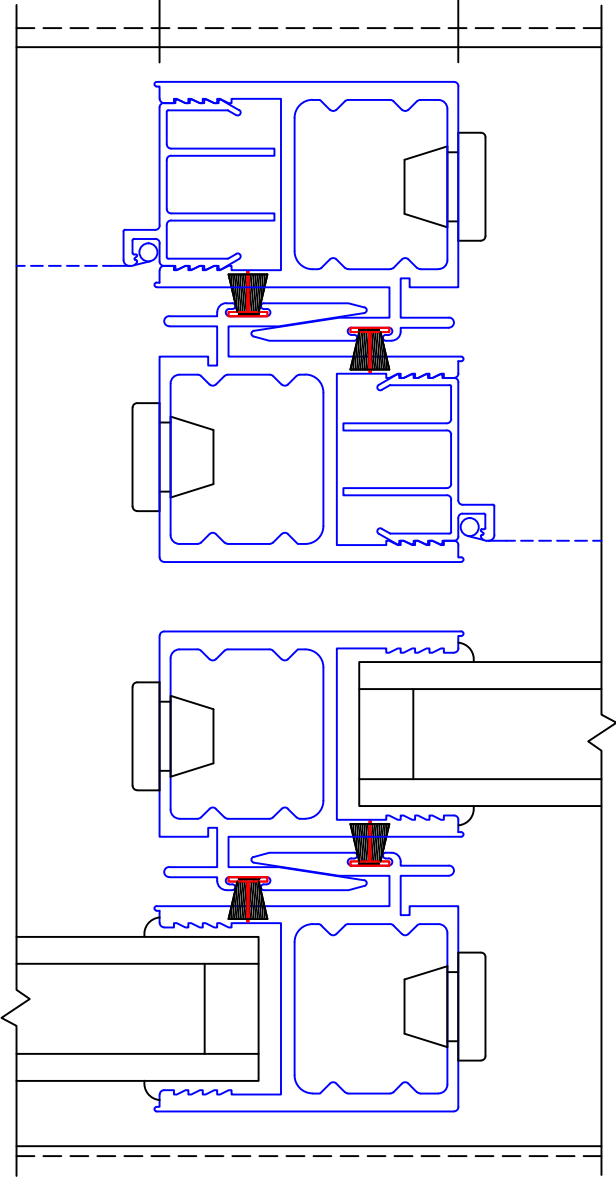
0 0.5 1
(USE RULER TO SCALE DIMENSIONS IN INCHES)
SCALE: FULL

PXX DOOR
HIDDEN TRACK

5

INTERLOCKERS

2 1/16"



EXTERIOR



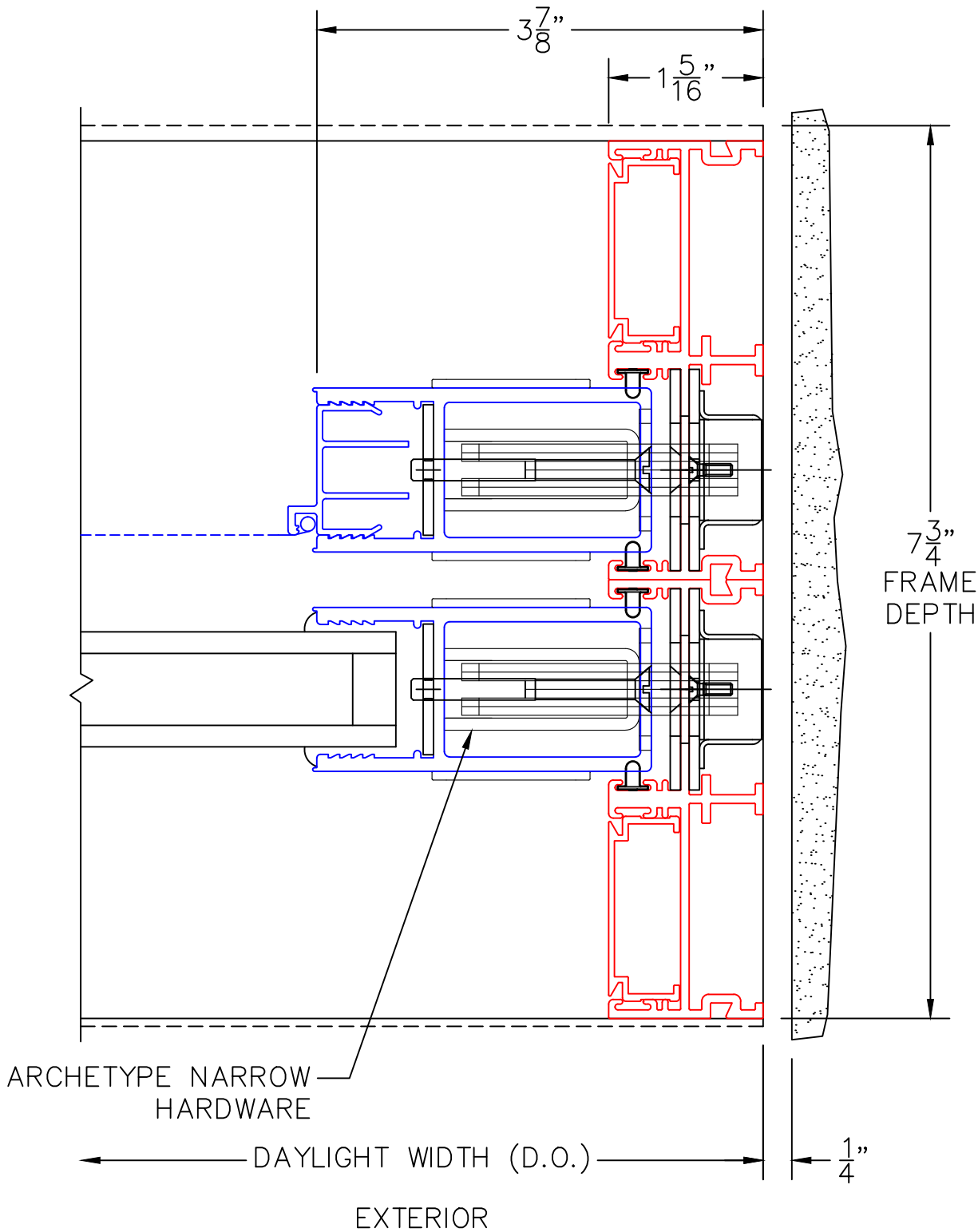
(USE RULER TO SCALE DIMENSIONS IN INCHES)

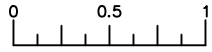
SCALE: 3/4

PXX DOOR
HIDDEN TRACK

6

LOCK JAMB





(USE RULER TO SCALE DIMENSIONS IN INCHES)

SCALE: FULL

PXIXP DOOR

7

MEETING STILES

