

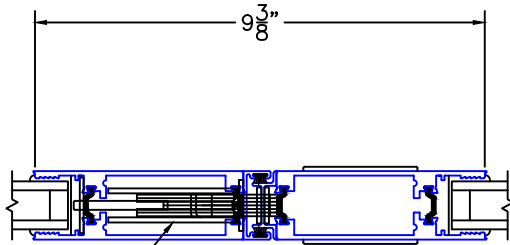


OPTIONS AND UPGRADES

(USE RULER TO SCALE DIMENSIONS IN INCHES)

SCALE: 1/4"

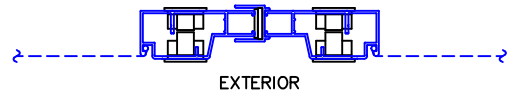
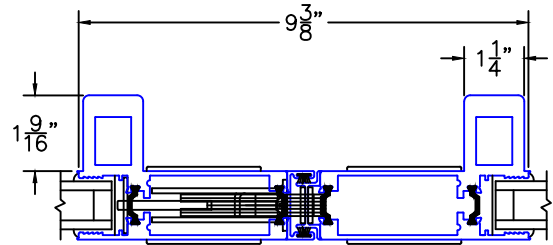
①
ARCHETYPE
MEETING STILES



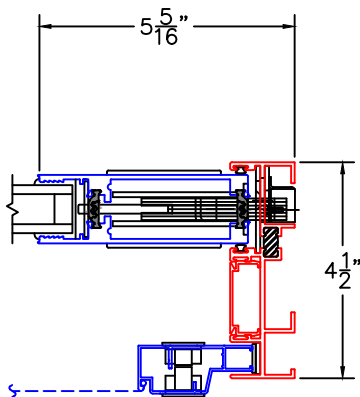
ARCHETYPE LATCH WITH
FLUSH PULL HANDLES



①A
HP1-T ARCHETYPE
MEETING STILES

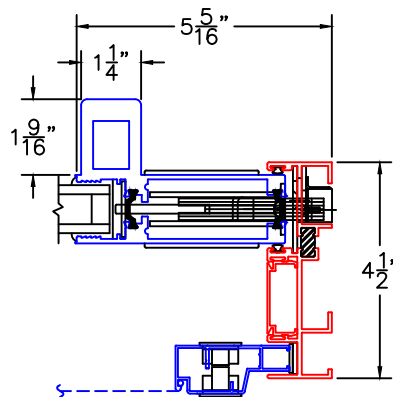


②
ARCHETYPE
LOCK JAMB



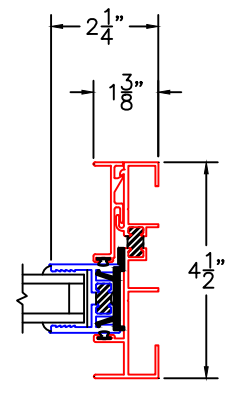
EXTERIOR

②A
HP1-T ARCHETYPE
LOCK JAMB



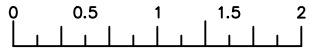
EXTERIOR

③
FIXED JAMB WITH
O-PANEL SNAP-IN
(BLOCK ONLY)



EXTERIOR

OPTIONS AND UPGRADES



(USE RULER TO SCALE DIMENSIONS IN INCHES)

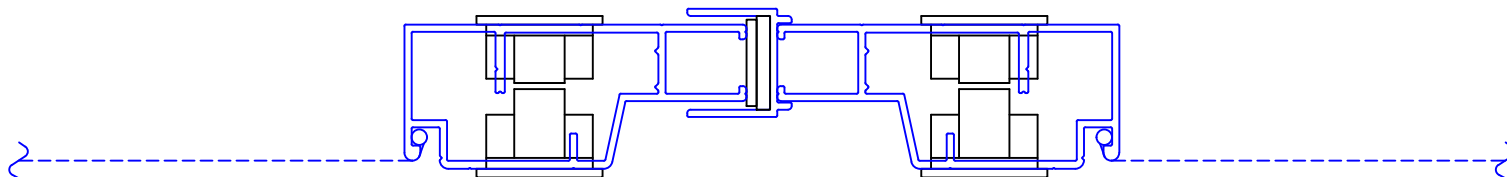
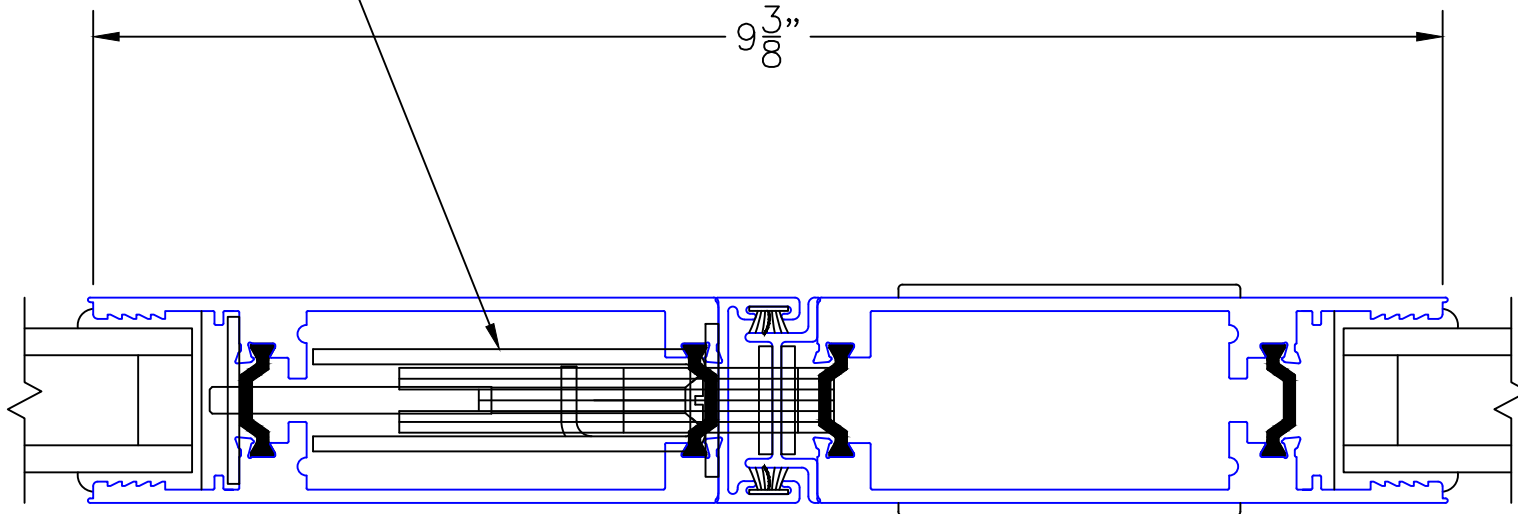
SCALE: 3/4

1

ARCHETYPE
MEETING STILES

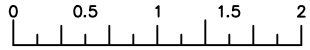
ARCHETYPE LATCH WITH
FLUSH PULL HANDLES

9 $\frac{3}{8}$ "



EXTERIOR

OPTIONS AND UPGRADES

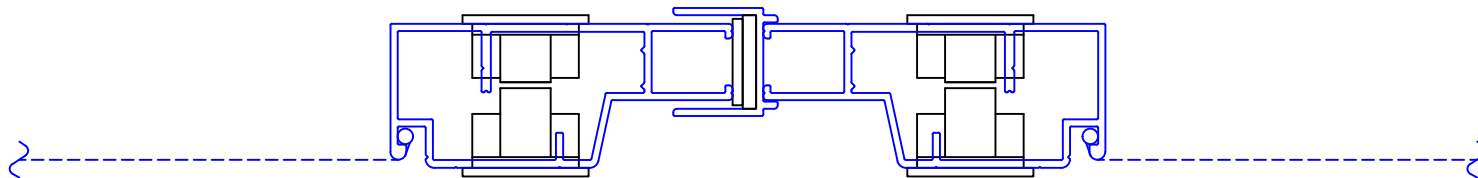
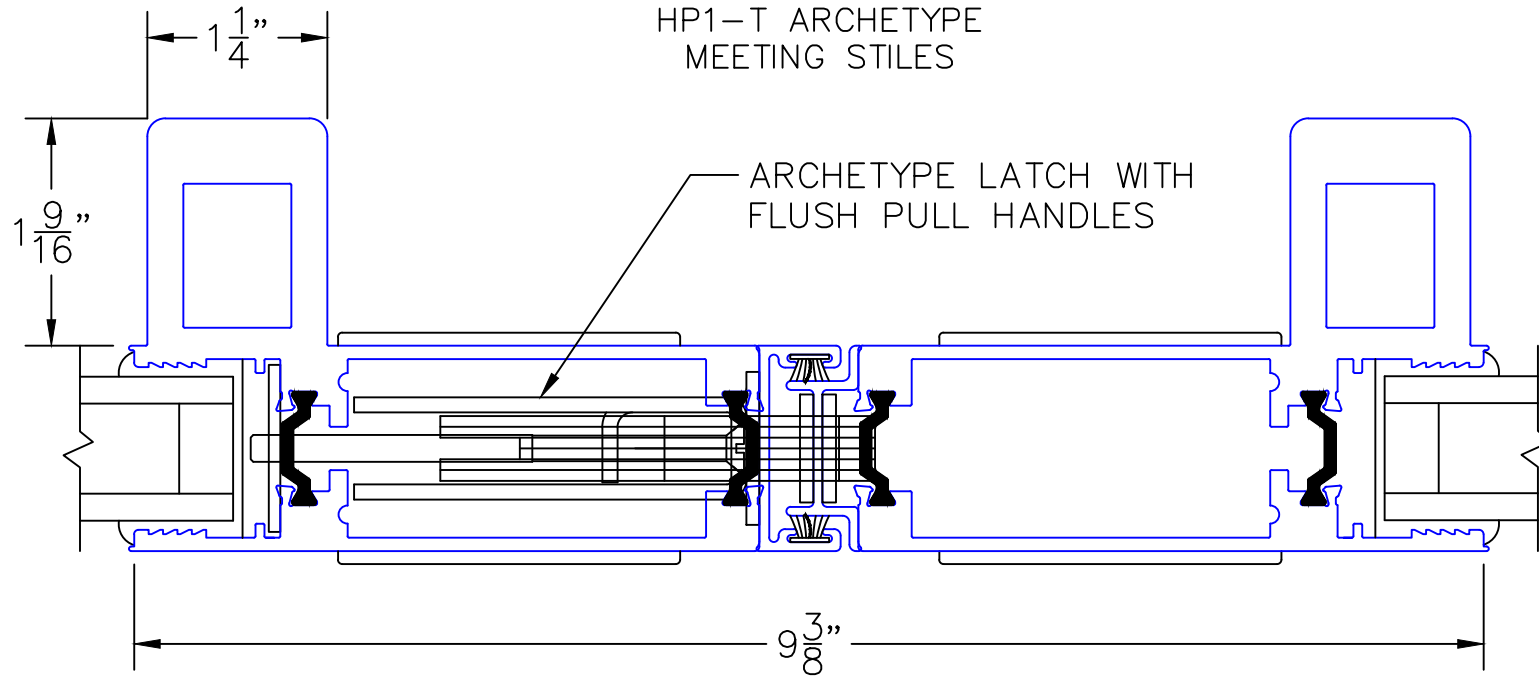


(USE RULER TO SCALE DIMENSIONS IN INCHES)

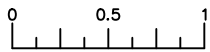
SCALE: 3/4

1A

HP1-T ARCHETYPE
MEETING STILES



EXTERIOR



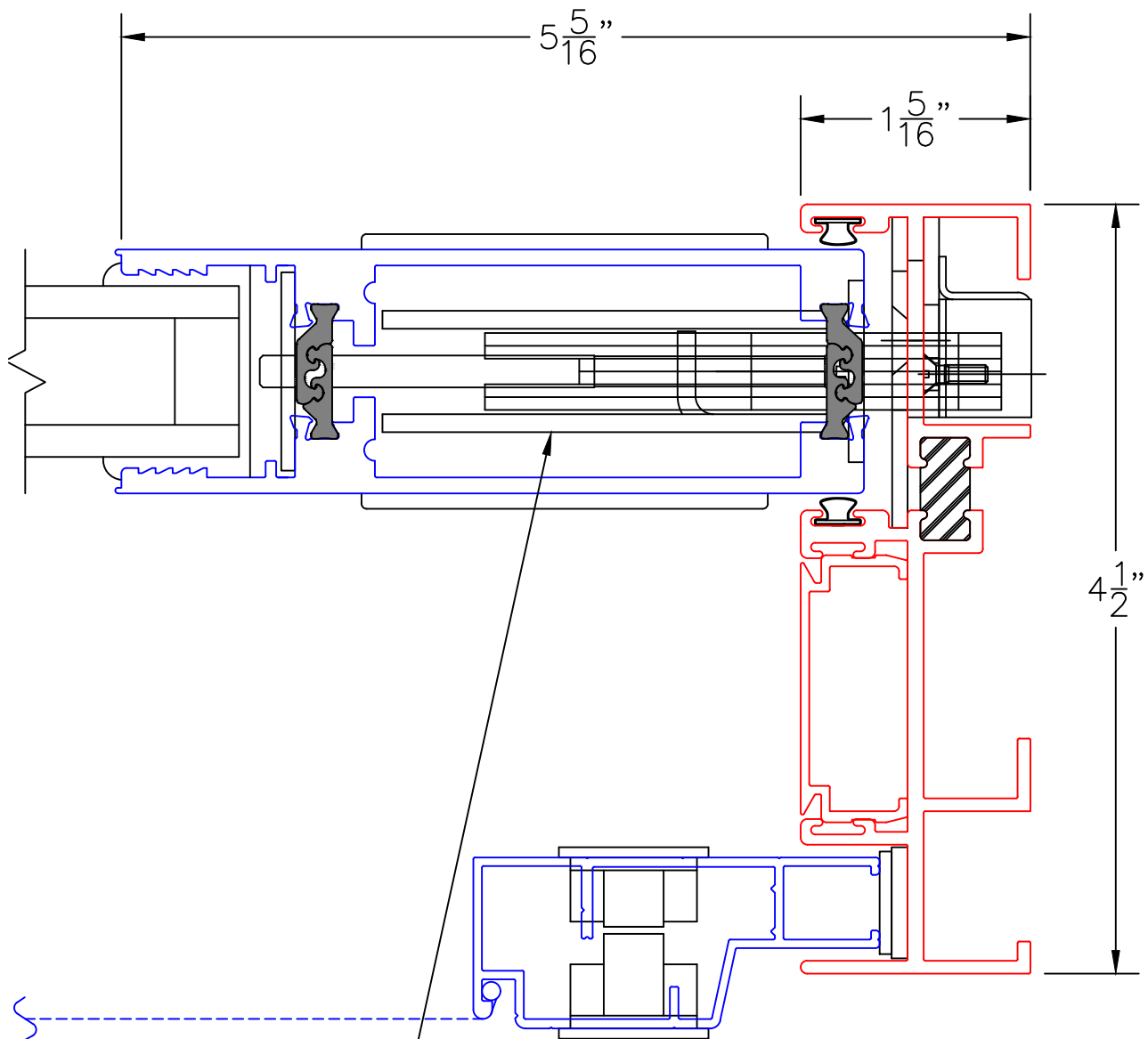
(USE RULER TO SCALE DIMENSIONS IN INCHES)

SCALE: FULL

OPTIONS AND UPGRADES

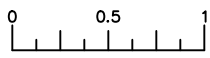
2

ARCHETYPE
LOCK JAMB



ARCHETYPE LATCH WITH
FLUSH PULL HANDLES

EXTERIOR



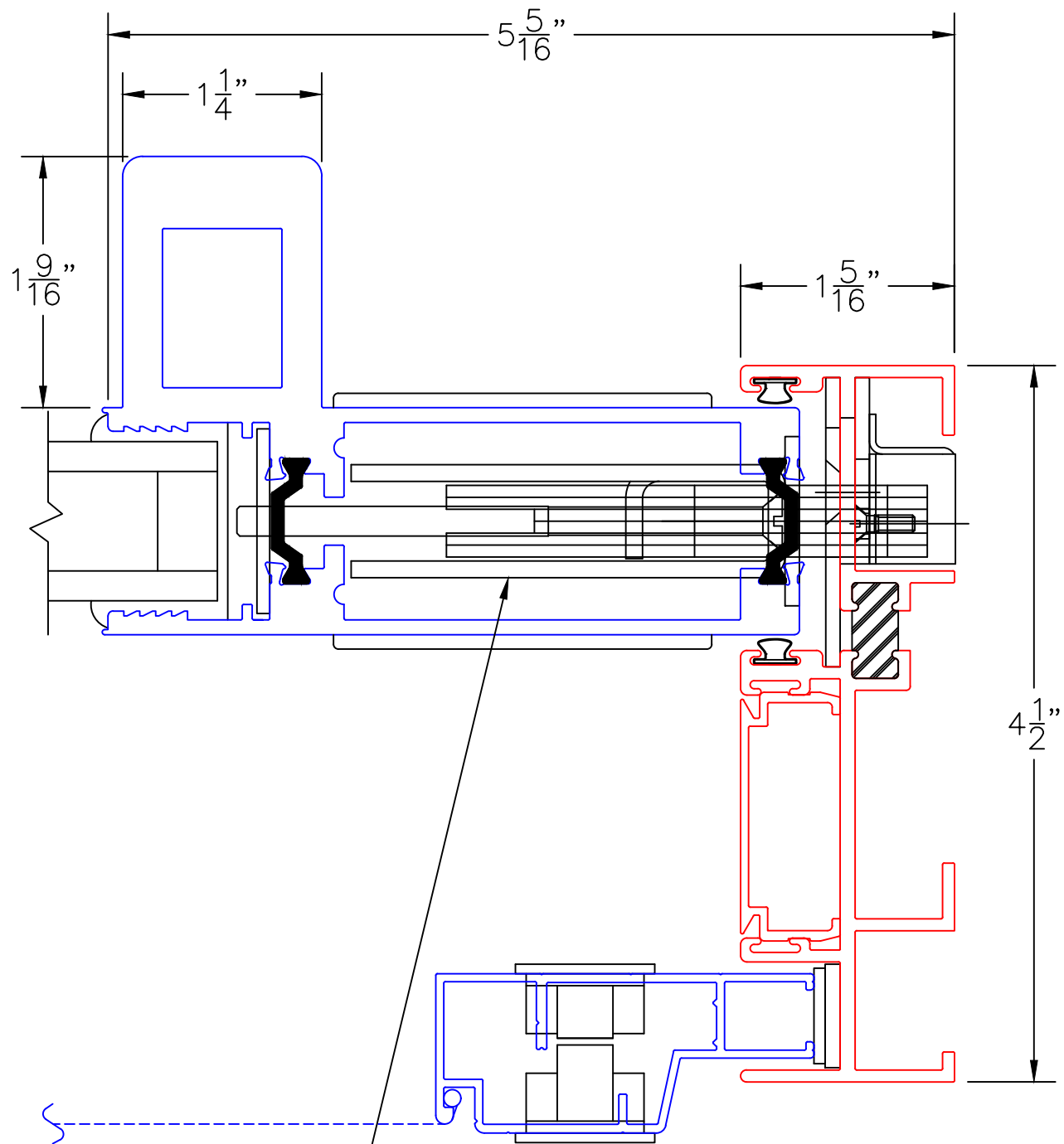
(USE RULER TO SCALE DIMENSIONS IN INCHES)

SCALE: FULL

OPTIONS AND UPGRADES

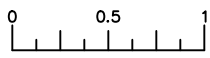
2A

HP1-T ARCHETYPE
LOCK JAMB



ARCHETYPE LATCH WITH
FLUSH PULL HANDLES

EXTERIOR



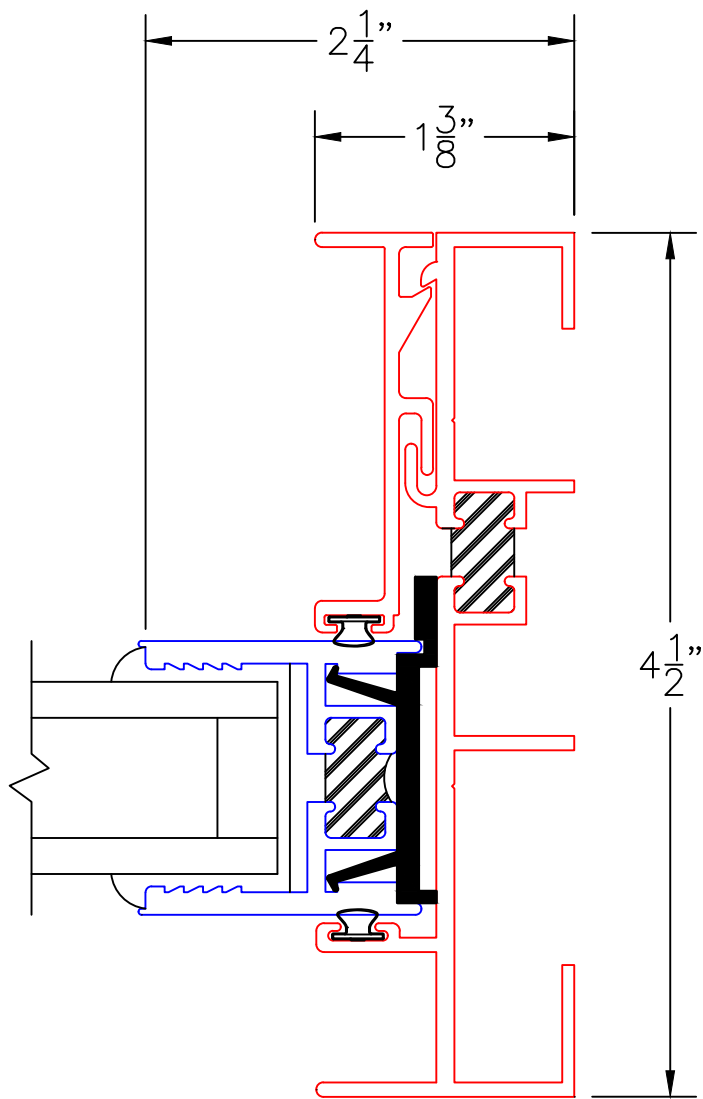
(USE RULER TO SCALE DIMENSIONS IN INCHES)

SCALE: FULL

OPTIONS AND UPGRADES

3

FIXED JAMB WITH
O-PANEL SNAP-IN
(BLOCK ONLY)



EXTERIOR