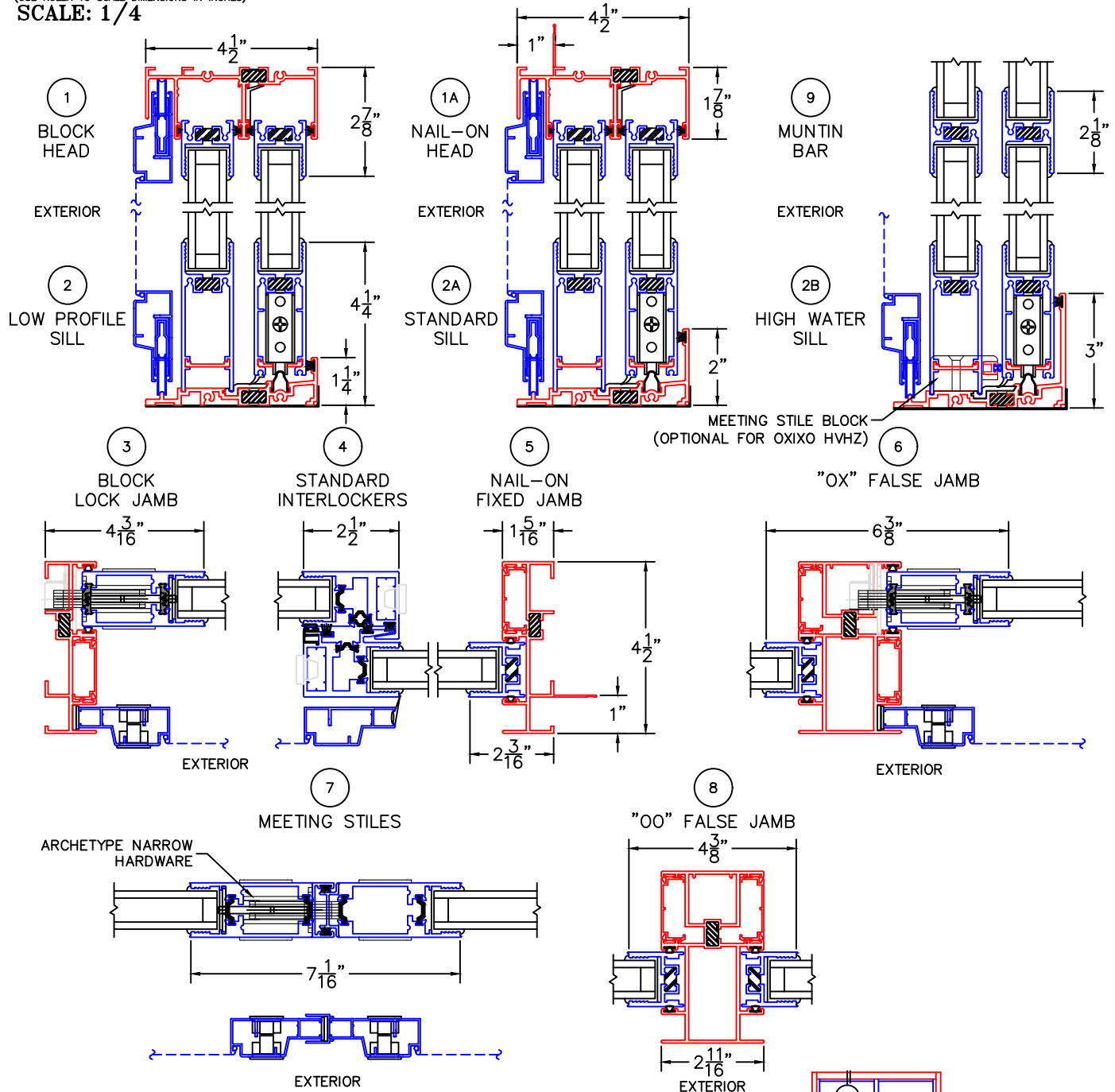


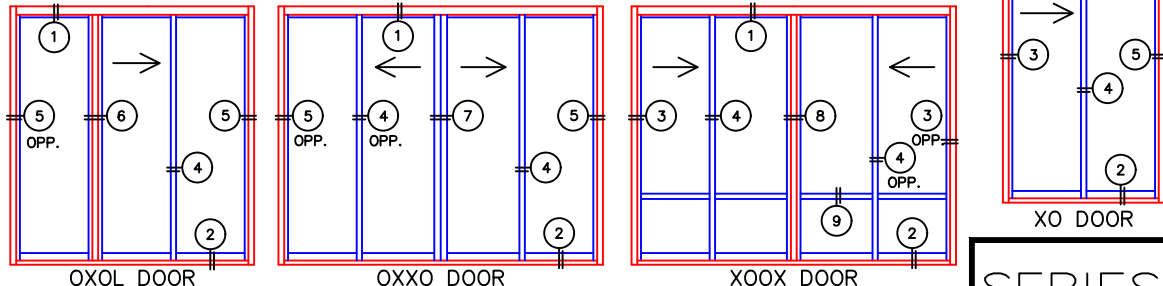
(USE RULER TO SCALE DIMENSIONS IN INCHES)

SCALE: 1/4"

SLIDING DOOR DETAILS
1" INSULATED GLAZING SHOWN



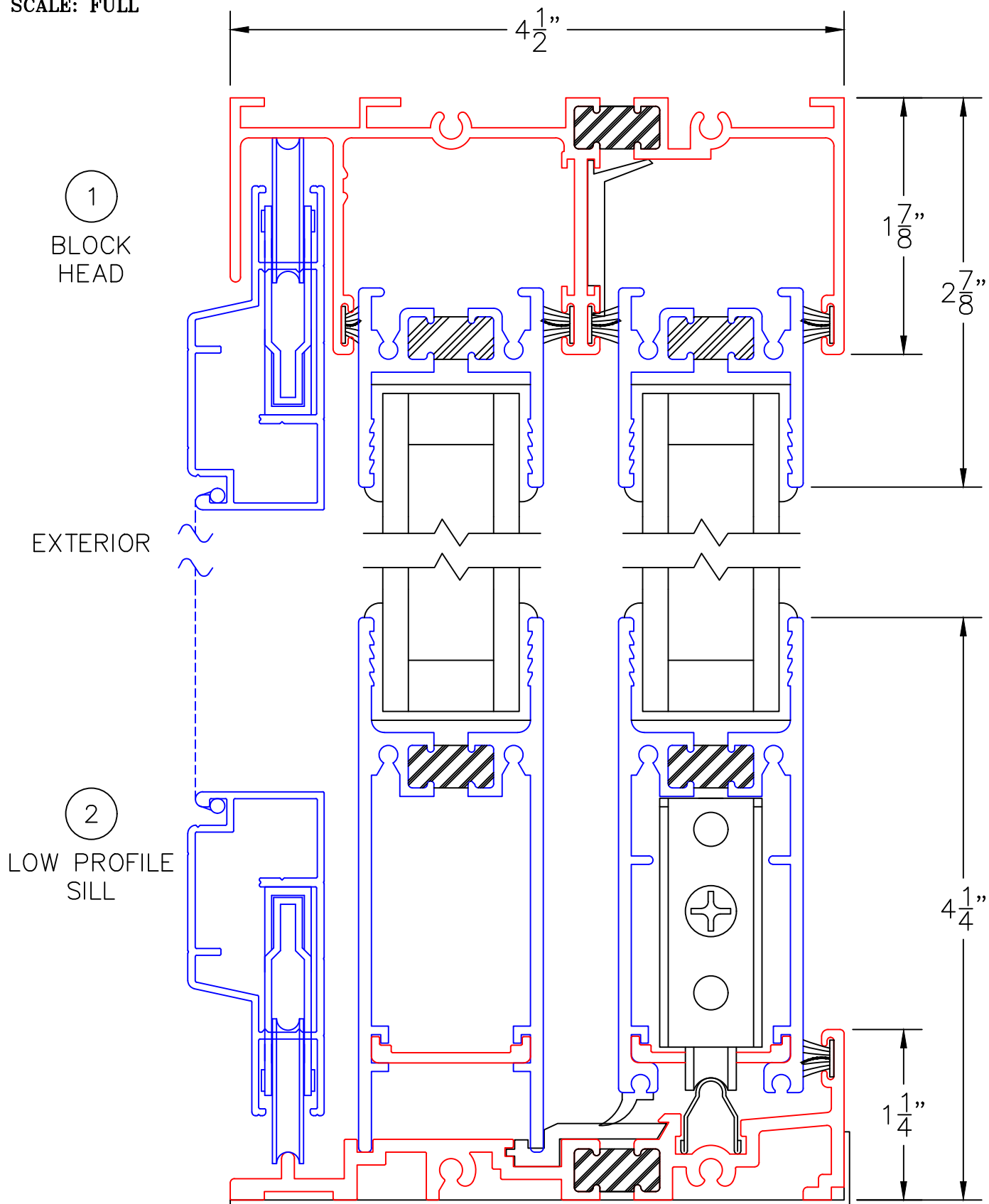
NOTE: CENTERLINES ARE NOT DIVIDED EQUALLY; CONFIRM CENTERLINES WHEN REQUIRED.



-GLASS PENETRATION: 11/16"

0 0.5 1
(USE RULER TO SCALE DIMENSIONS IN INCHES)
SCALE: FULL

SLIDING DOOR DETAILS
1" INSULATED GLAZING SHOWN



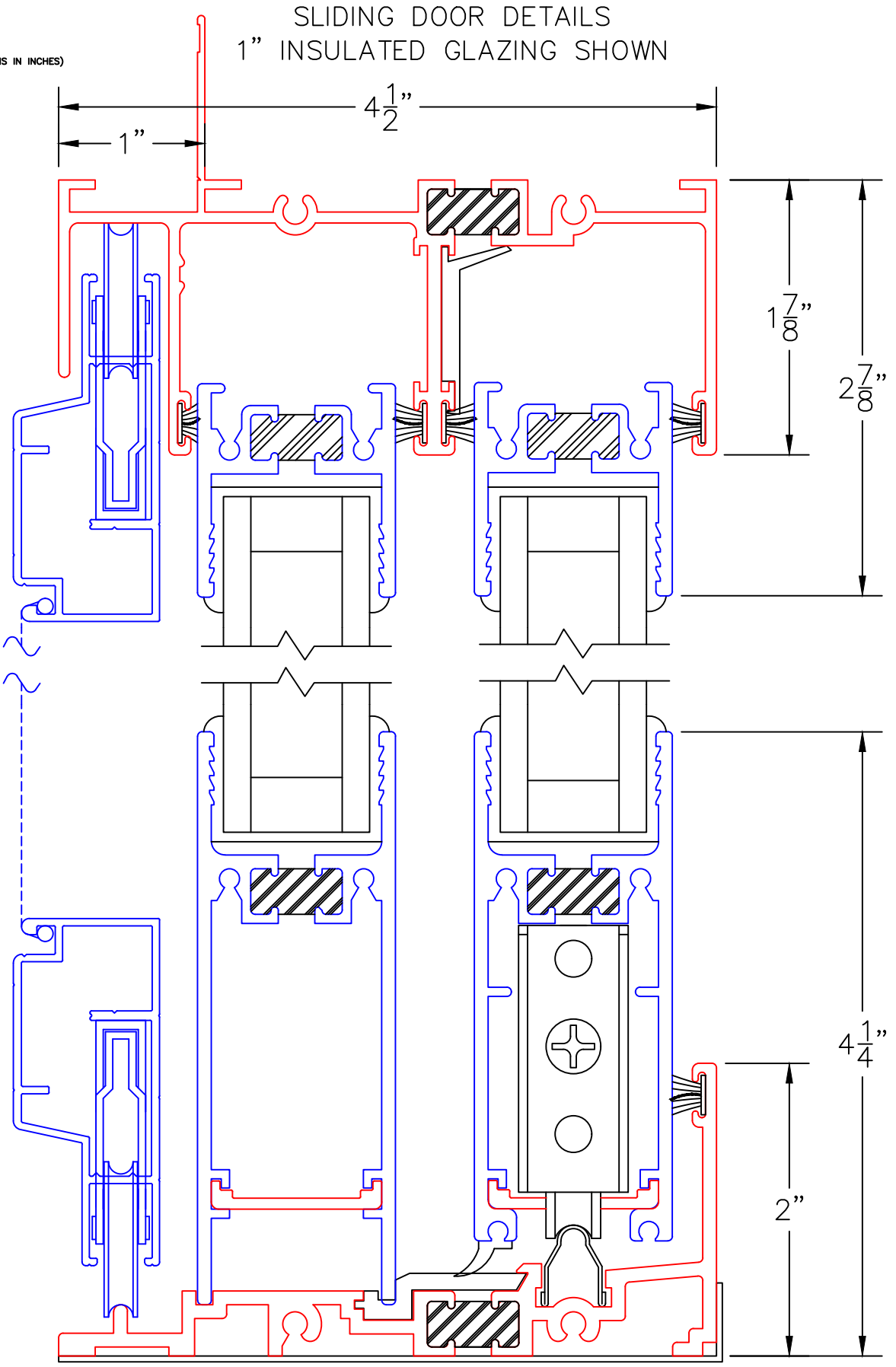
0 0.5 1
(USE RULER TO SCALE DIMENSIONS IN INCHES)
SCALE: FULL

SLIDING DOOR DETAILS
1" INSULATED GLAZING SHOWN

1A
NAIL-ON
HEAD

EXTERIOR

2A
STANDARD
SILL



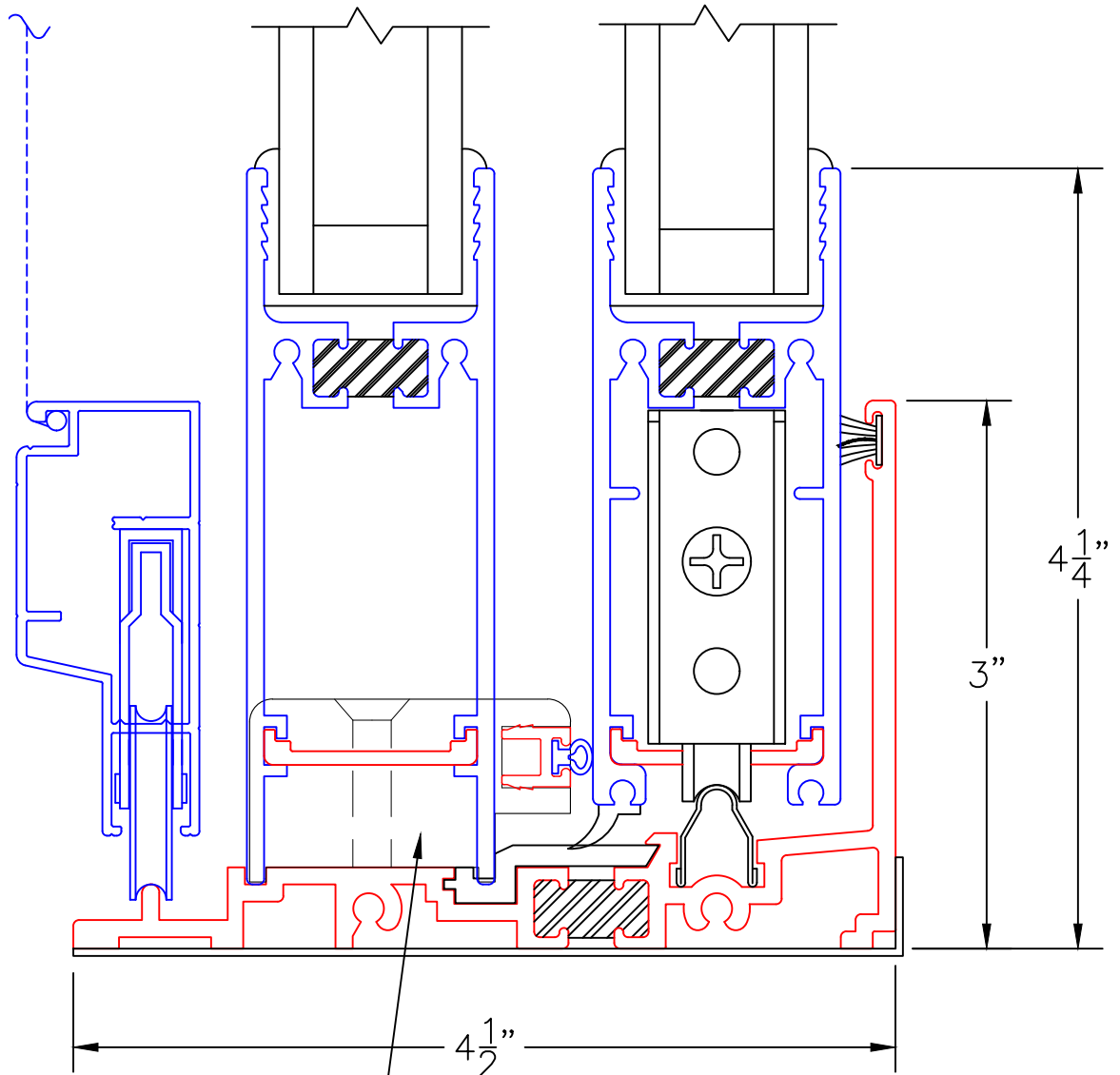
0 0.5 1
(USE RULER TO SCALE DIMENSIONS IN INCHES)
SCALE: FULL

SLIDING DOOR DETAILS
1" INSULATED GLAZING SHOWN

(2B)

HIGH WATER SILL

EXTERIOR



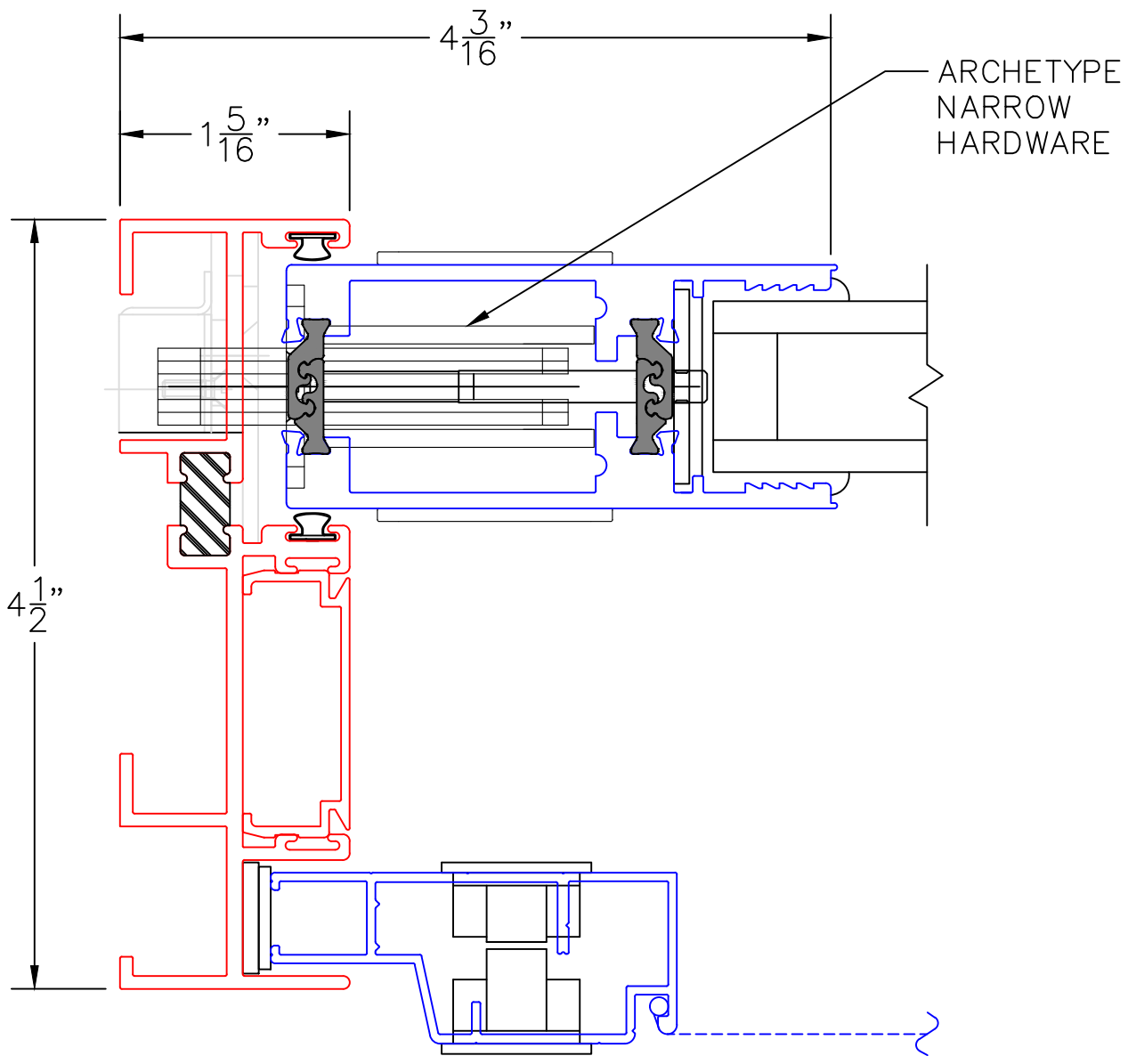
MEETING STILE BLOCK
(OPTIONAL FOR OXIXO HVHZ)

0 0.5 1
(USE RULER TO SCALE DIMENSIONS IN INCHES)
SCALE: FULL

SLIDING DOOR DETAILS
1" INSULATED GLAZING SHOWN

3

BLOCK
LOCK JAMB



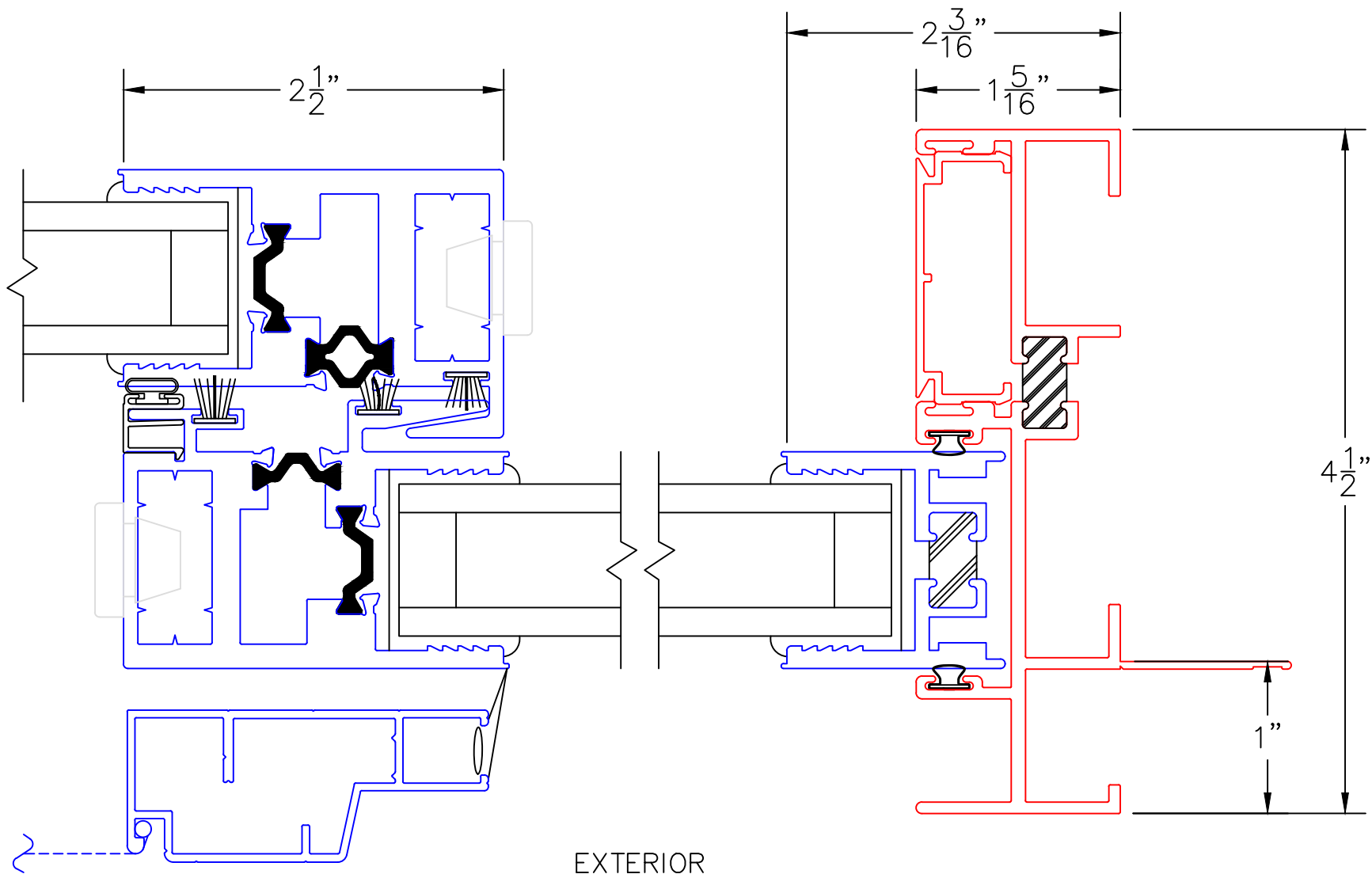
EXTERIOR

0 0.5 1
(USE RULER TO SCALE DIMENSIONS IN INCHES)
SCALE: FULL

SLIDING DOOR DETAILS
1" INSULATED GLAZING SHOWN

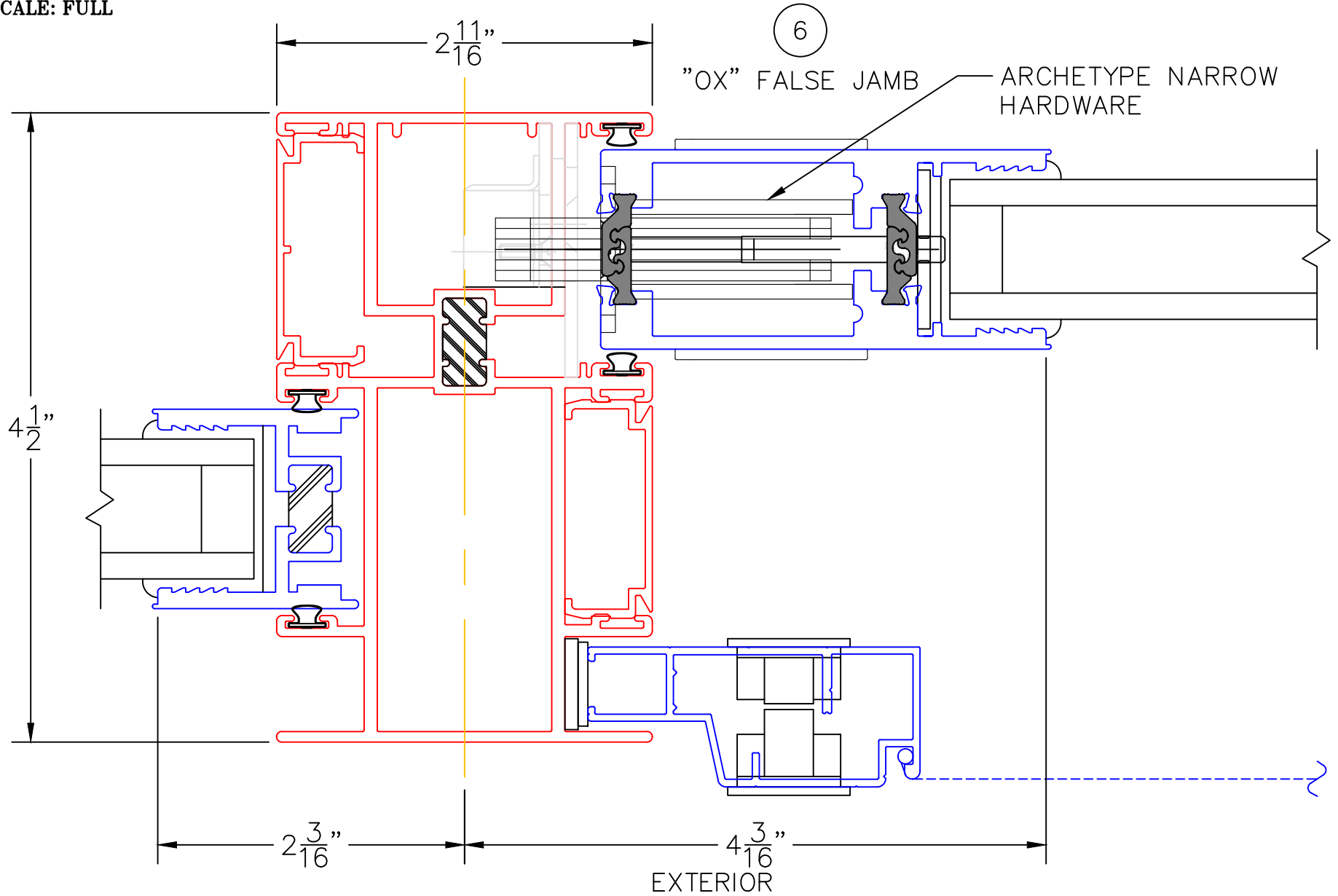
④
STANDARD
INTERLOCKERS

⑤
NAIL-ON
FIXED JAMB



0 0.5 1
(USE RULER TO SCALE DIMENSIONS IN INCHES)
SCALE: FULL

SLIDING DOOR DETAILS
1" INSULATED GLAZING SHOWN



0 0.5 1
(USE RULER TO SCALE DIMENSIONS IN INCHES)
SCALE: FULL

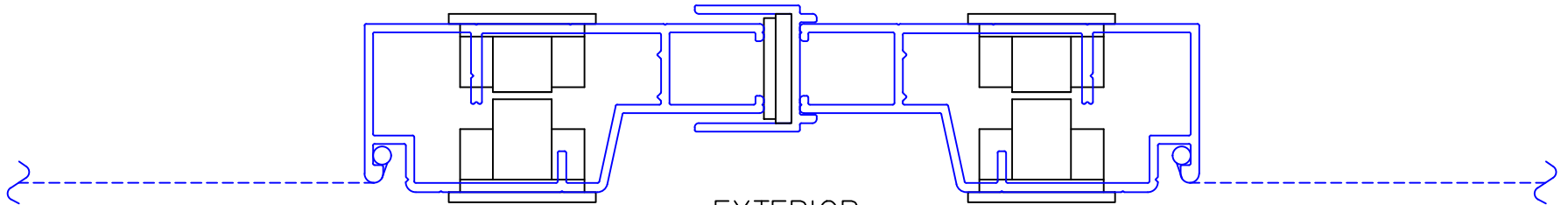
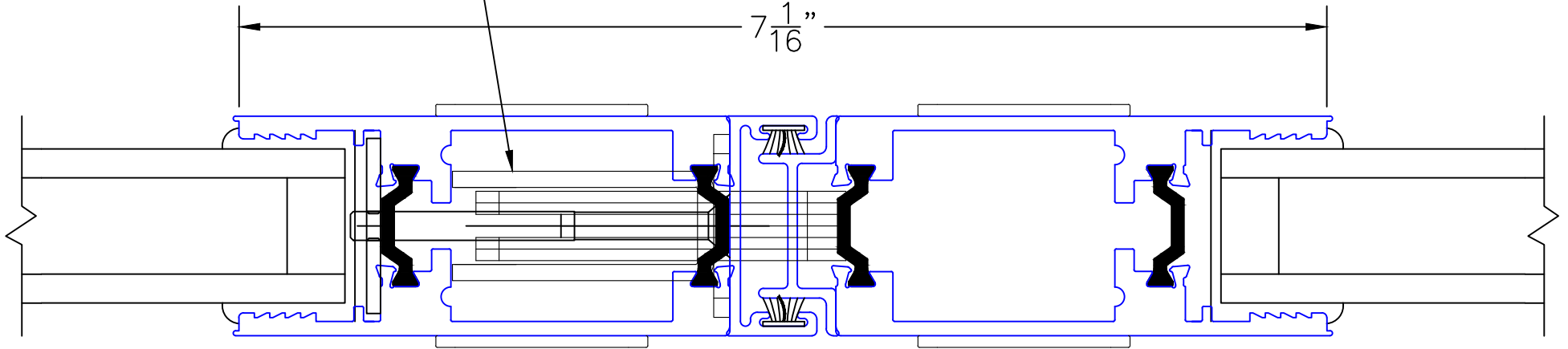
SLIDING DOOR DETAILS 1" INSULATED GLAZING SHOWN

7

MEETING STILES

ARCHETYPE NARROW
HARDWARE

$7\frac{1}{16}$ "



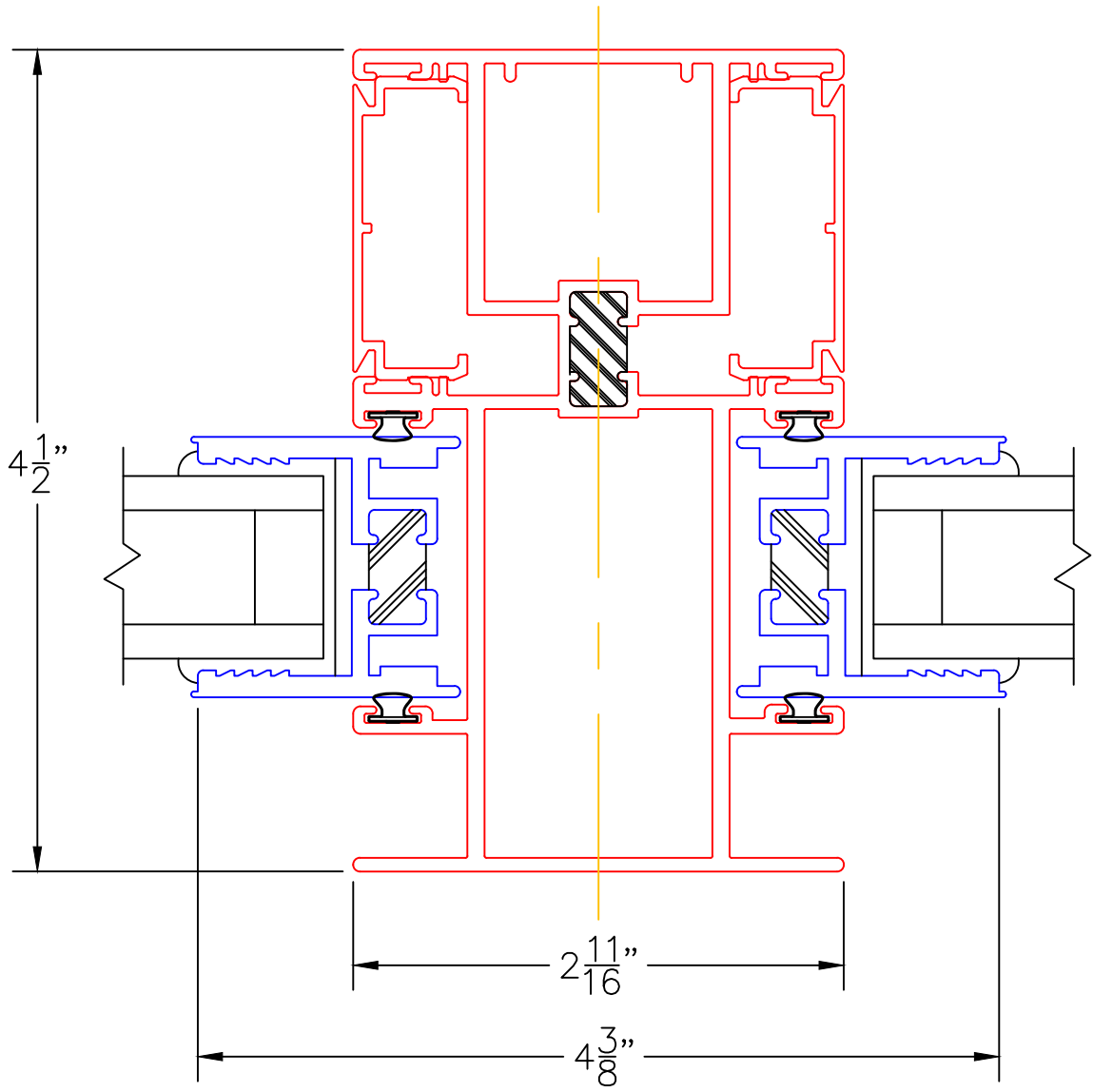
EXTERIOR

0 0.5 1
(USE RULER TO SCALE DIMENSIONS IN INCHES)
SCALE: FULL

SLIDING DOOR DETAILS
1" INSULATED GLAZING SHOWN

8

"00"
FALSE JAMB



EXTERIOR

0 0.5 1
(USE RULER TO SCALE DIMENSIONS IN INCHES)
SCALE: FULL

SLIDING DOOR DETAILS
1" INSULATED GLAZING SHOWN

9

MUNTIN BAR

EXTERIOR

