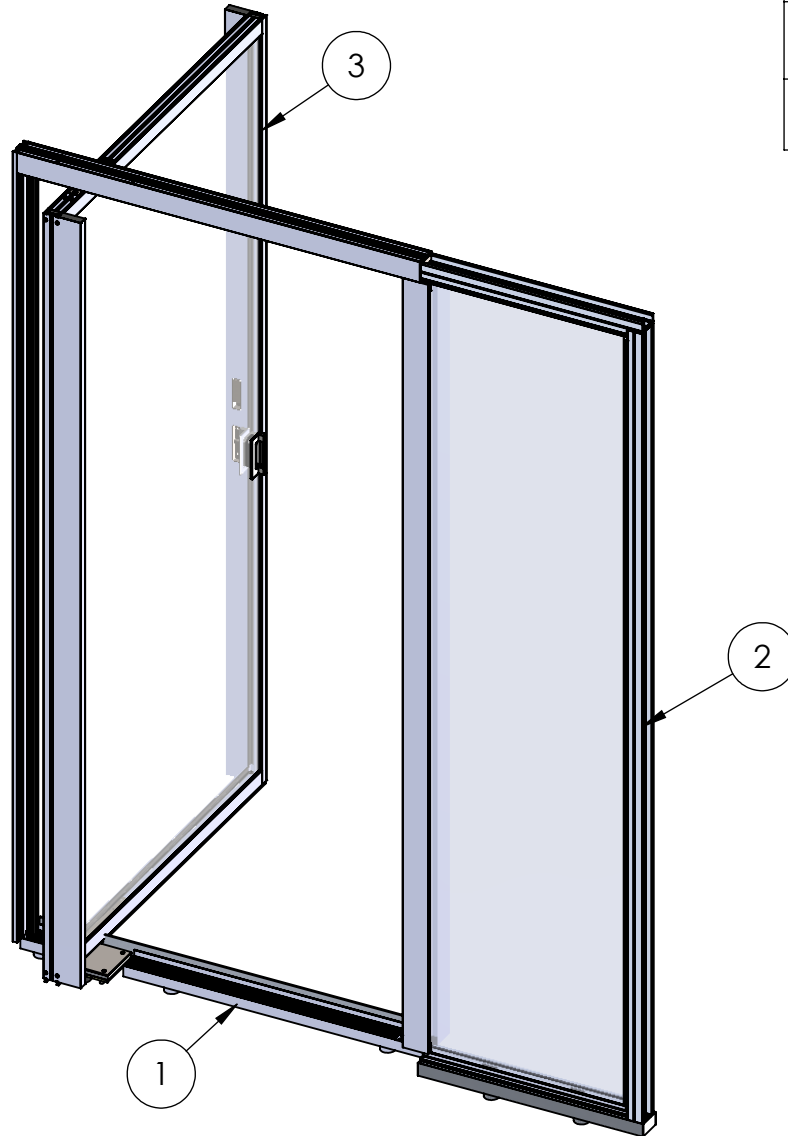


ASSEMBLY / PARTS LIST (B.O.M.)

Series: EDGE | p |
Type: HO Configuration with Pivot Only

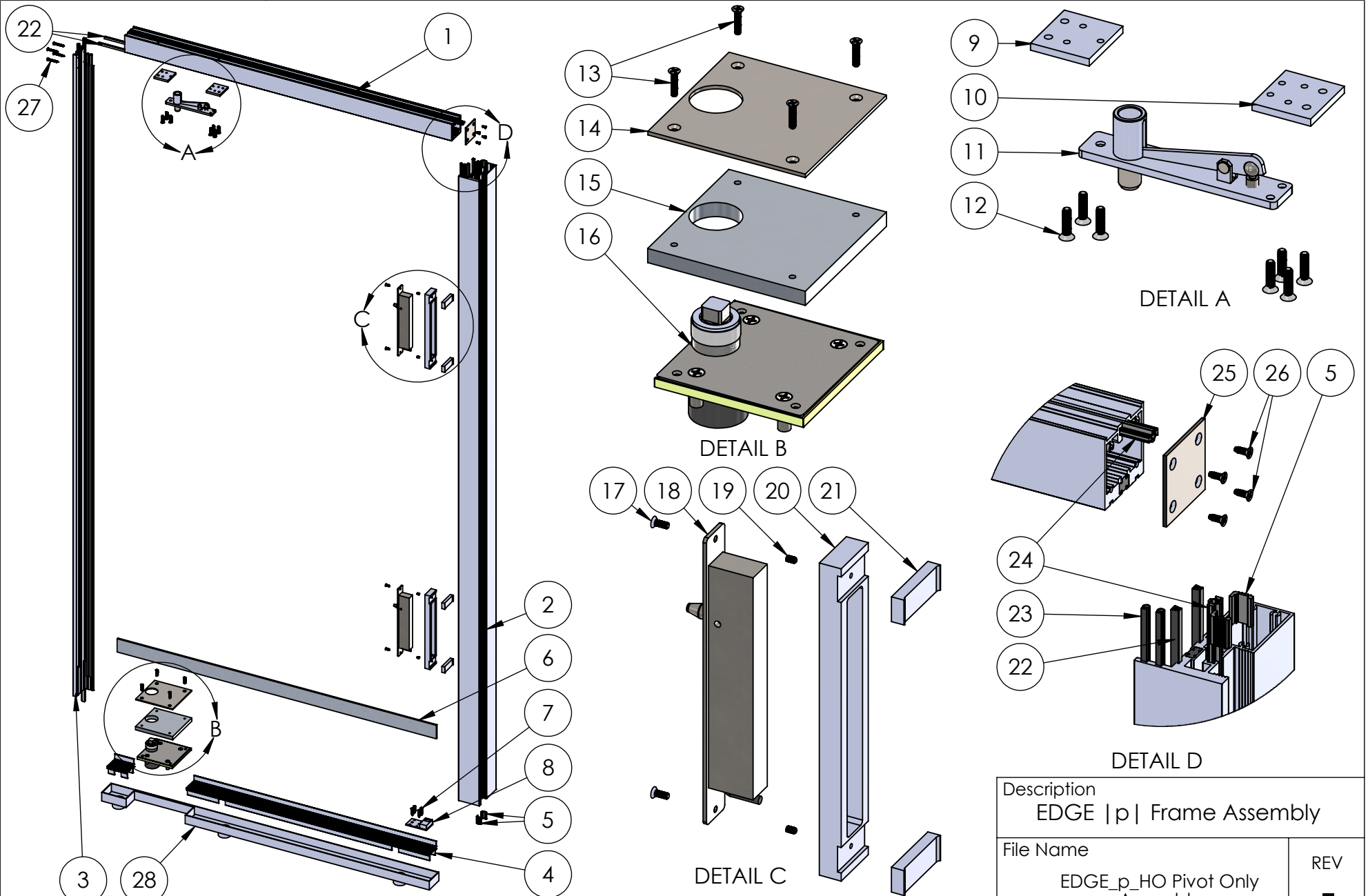


ITEM NO.	DESCRIPTION	QTY.	PAGE #
1	EDGE p H FRAME ASSEMBLY	1	2-3
2	EDGE p O FRAME ASSEMBLY	1	4
3	PANEL ASSEMBLY	1	5-6

PROPRIETARY AND CONFIDENTIAL
 THE INFORMATION CONTAINED IN THIS DRAWING IS THE SOLE PROPERTY OF FLEETWOOD WINDOWS & DOORS.
 ANY REPRODUCTION IN PART OR AS A WHOLE WITHOUT THE WRITTEN PERMISSION OF FLEETWOOD WINDOWS & DOORS IS PROHIBITED.

Description Table of Contents	
File Name EDGE_p_HO Pivot Only Assembly	REV -
Released 5/13/2026	SHEET 1 OF 6

ASSEMBLY / PARTS LIST (B.O.M.)



PROPRIETARY AND CONFIDENTIAL
THE INFORMATION CONTAINED IN THIS DRAWING IS THE SOLE PROPERTY OF FLEETWOOD WINDOWS & DOORS.
ANY REPRODUCTION IN PART OR AS A WHOLE WITHOUT THE WRITTEN PERMISSION OF FLEETWOOD WINDOWS & DOORS IS PROHIBITED.

Description EDGE p Frame Assembly	
File Name EDGE_p_HO Pivot Only Assembly	REV -
Released	5/13/2026
SHEET 2 OF 6	

ASSEMBLY / PARTS LIST (B.O.M.)

EXTRUSIONS			
ITEM NO.	PART NUMBER	DESCRIPTION	QTY.
1	Ep001	Head	1
2	Ep004	Mullion HP V-Lock	1
3	Ep002	Jamb	1
4	4411	Arche-Duct Sill	2
5	Es0002	Glass Key 1.25" (Exact)	4
6	FW1201	2.0" x 0.188" Alum Flat Bar (Slot Drain Spacer)	1
HARDWARE			
7	20350	#10 PHP-A, 1", SS, Clear	4
8	26930	Archetype Blade Sill Strike (Blade Case)*	1
9	27185	Head Pivot Plate 1	1
10	27298	Head Pivot Plate 2	1
11	26476	Top Pivot (Head Portion)	1
12	26325	#1/4-20 Torx FH Screw, 1"	7
13	27413	#10-24 FHP, 7/8", SS, Clear	4
14	27358	Rixson Pivot Only Cover Plate	1
15	27359	Rixson Pivot Only Cover Spacer	1
16	27412	H117-3/4 x 587 Pivot Only Set Assembly*	1
17	24843	#10-32 FHP, UC, 1/2", SS, Clear	4
18	27401	V-Lock Assembly*	2 (See Table A)
19	27420	#10-32 Set Screw, 5/16"	4
20	27754	Vlock Mullion Base	2

*Needs to be modified by Fleetwood

HARDWARE			
ITEM NO.	PART NUMBER	DESCRIPTION	QTY.
21	27755	Vlock Mullion Clamp	4
22	27422	Fin Seal Mohair	6
23	26233	Flexible Bulb Vinyl	4
24	25065	14.6mm x 10.2mm I-Strut	2
25	27756	Head Cap	1
26	20273	#10 FHP-B-UC, 1/2", SS (Black)	4
27	20353	#10 PHP-A, 1-1/2", SS, Clear	4
28	-	Arche-Duct	1

Table A: Number of V-Locks Recommended
(2 V-Locks shown)

		Pivot Distance			
		<24"		≥24"	
		Active Jamb	Pivot Jamb	Active Jamb	Pivot Jamb
Net Frame Height	<96"	1	1**	1	1
	≥96"	2	2**	2	2

**Optional

Description
EDGE | p | Frame Assembly BOM

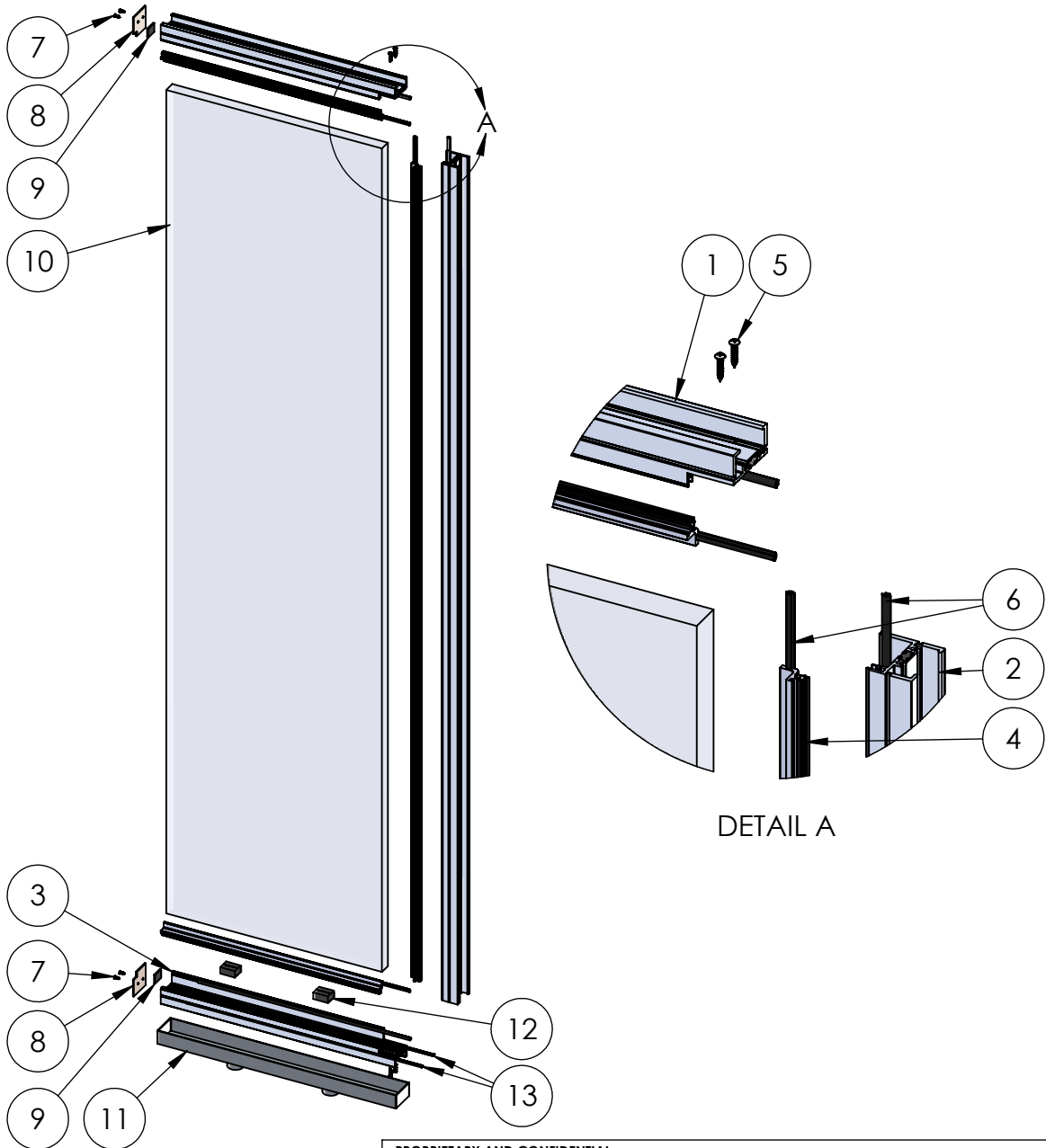
File Name EDGE_p_HO Pivot Only Assembly	REV -
--	----------

Released	5/13/2026	SHEET 3 OF 6
----------	-----------	--------------

PROPRIETARY AND CONFIDENTIAL

THE INFORMATION CONTAINED IN THIS DRAWING IS THE SOLE PROPERTY OF FLEETWOOD WINDOWS & DOORS.
ANY REPRODUCTION IN PART OR AS A WHOLE WITHOUT THE WRITTEN PERMISSION OF FLEETWOOD WINDOWS & DOORS IS PROHIBITED.

ASSEMBLY / PARTS LIST (B.O.M.)



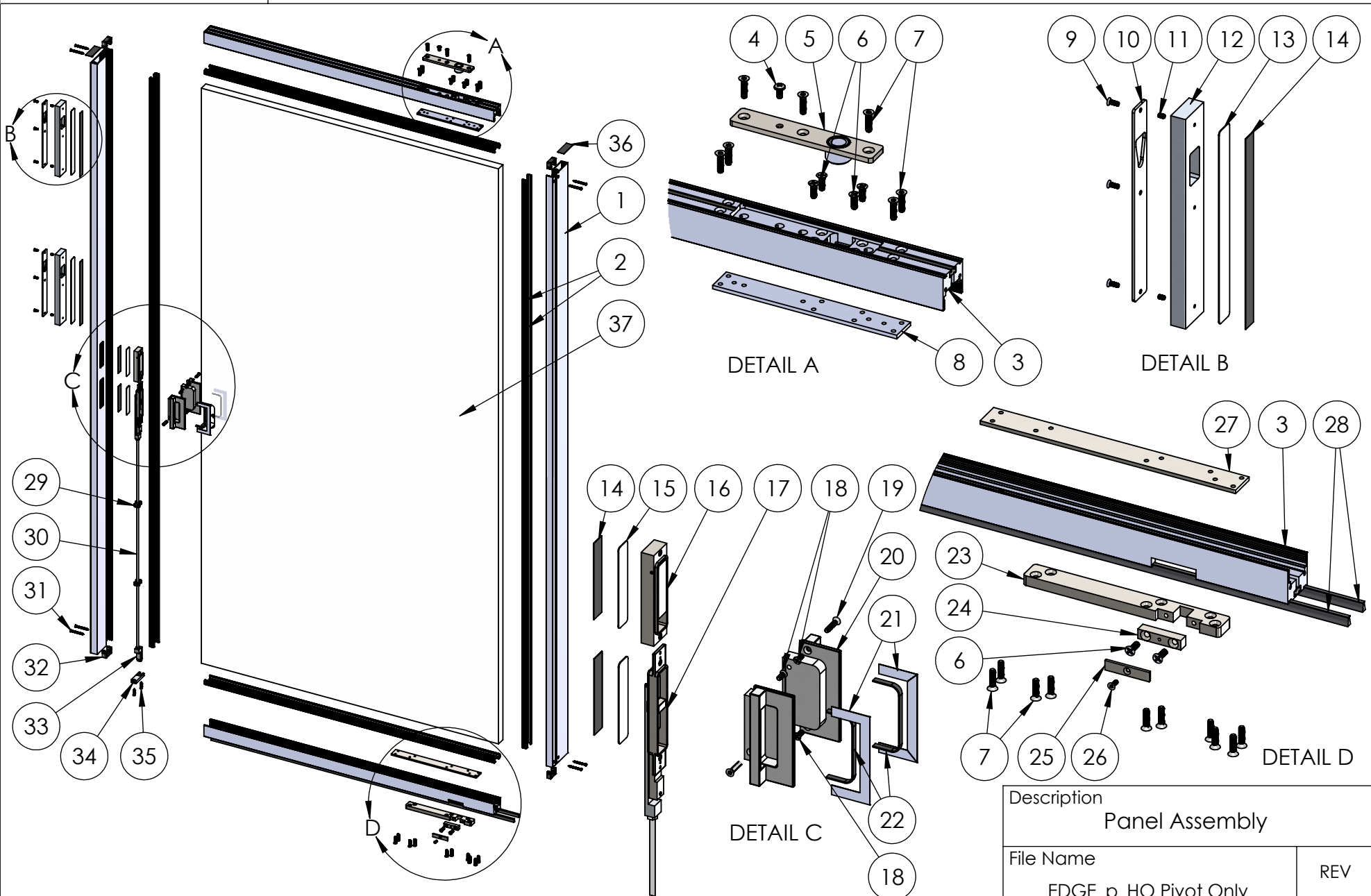
EXTRUSIONS			
ITEM NO.	PART NUMBER	DESCRIPTION	QTY.
1	Ef0009	Head	1
2	Ef0009	Jamb	1
3	Ef0009	Sill	1
4	Ef0006	1.25" Glass Stop Wedge	3
HARDWARE			
5	20350	#10 PHP-A, 1", SS, Clear	4
6	25031	Bulb Vinyl-Large	2
7	20273	#10 FHP-B-UC, 1/2", SS (Black)	4
8	27148	End Cap Edge f (Black Powder Coated)	2
9	18621	Setting Block (1/8" x 1" x 4") with adhesive	2
10	-	Glass	1
11	FW1217	Arche-Duct	1
12	26829	Setting Block (1 3/8" x 1 5/8" 3/4")	2
13	25189	Q-Lon Foam Seal, 0.255 x 0.190	2

DETAIL A

PROPRIETARY AND CONFIDENTIAL
THE INFORMATION CONTAINED IN THIS DRAWING IS THE SOLE PROPERTY OF FLEETWOOD WINDOWS & DOORS.
ANY REPRODUCTION IN PART OR AS A WHOLE WITHOUT THE WRITTEN PERMISSION OF FLEETWOOD WINDOWS & DOORS IS PROHIBITED.

Description EDGE f Frame Assembly & BOM	
File Name EDGE_p_HO Pivot Only Assembly	REV -
Released	5/13/2026 SHEET 4 OF 6

ASSEMBLY / PARTS LIST (B.O.M.)



PROPRIETARY AND CONFIDENTIAL
THE INFORMATION CONTAINED IN THIS DRAWING IS THE SOLE PROPERTY OF FLEETWOOD WINDOWS & DOORS.
ANY REPRODUCTION IN PART OR AS A WHOLE WITHOUT THE WRITTEN PERMISSION OF FLEETWOOD WINDOWS & DOORS IS PROHIBITED.

Description	
Panel Assembly	
File Name	REV
EDGE_p_HO Pivot Only Assembly	-
Released	SHEET 5 OF 6
5/13/2026	



ASSEMBLY / PARTS LIST (B.O.M.)

EXTRUSIONS			
ITEM NO.	PART NUMBER	DESCRIPTION	QTY.
1	Es0008	Fin Lead Stile	2
2	Es0002	Glass Key (1 1/4" Exact)	8
3	Ep003	Top and Bottom Rail	2
HARDWARE			
4	20357	#1/4-20 PHP-B, 1/2", SS, Clear	1
5	26476	Top Pivot (Panel Portion)	1
6	20305	#1/4-20 FHP-B, 3/4", SS, Clear	6
7	26325	#1/4-20 Torx FH Screw, 1"	17
8	27187	Top Rail Back Up Plate	1
9	24843	#10-32 FHP, UC, 1/2", SS, Clear	6
10	27401	V-Lock Strike Plate*	2 (See Table A)
11	27420	#10-32 Set Screw, 5/16"	4
12	27404	V-Lock Panel Backup Plate	2
13	27399	Edge Backup Plate for V-Lock	2
14	25637	3M Double-Sided Foam tape	4
15	27095	Archetype Blade Backup Plate	2
16	26925, 26926	Fin Pull (Clear, Black)	1
17	26919, 26920	Archetype Blade (Clear, Black)	1
18	24843, 25428	#10-32 FHP, UC, 1/2", SS (Clear, Black)	4
19	25488, 25489	#10-32 Torx Flat Head Screw, 1", SS (Clear, Black)	2
20	27695	Flush Pull, Ext-Int	2
21	27752	3M VHB 4929 Tape	2
22	26271	1/16" x 1/4" Double Sided Foam Glazing Tape	2

HARDWARE			
ITEM NO.	PART NUMBER	DESCRIPTION	QTY.
23	27188	Load Arm	1
24	27189	Load Arm Block	1
25	27300, 27190	Load Arm Cover Plate (Brush, Black)	1
26	26414, 27114	#8-32 FH Torx Screw, 1/2", SS (Clear, Black)	1
27	27191	Load Arm Back Up Plate	1
28	27421	Mohair (No Fin Seal)	2
29	25566	Shoot Bolt Rod Guide (Spider)	2
30	26923	Archetype Blade Shoot Bolt Rod Assembly	1
31	20298	#10 FHP-A, 2", SS, Clear	8
32	27326	Weatherstrip Holder	4
33	26921	Shootbolt Cap Assembly	1
34	26922	Archetype Blade Shoot Bolt Guide	1
35	20293	#10 FHP-A, 1", SS, Clear	2
36	27020	Top Rail Sticker - Fin	2
37	-	Glass	1

*Needs to be modified by Fleetwood

Description Panel Assembly	
File Name EDGE_p_HO Pivot Only Assembly	REV -
Released 5/13/2026	SHEET 6 OF 6

PROPRIETARY AND CONFIDENTIAL
 THE INFORMATION CONTAINED IN THIS DRAWING IS THE SOLE PROPERTY OF FLEETWOOD WINDOWS & DOORS.
 ANY REPRODUCTION IN PART OR AS A WHOLE WITHOUT THE WRITTEN PERMISSION OF FLEETWOOD WINDOWS & DOORS IS PROHIBITED.