

ASSEMBLY / PARTS LIST (B.O.M.)

Series: 330-T
 Type: XO/XO Configuration

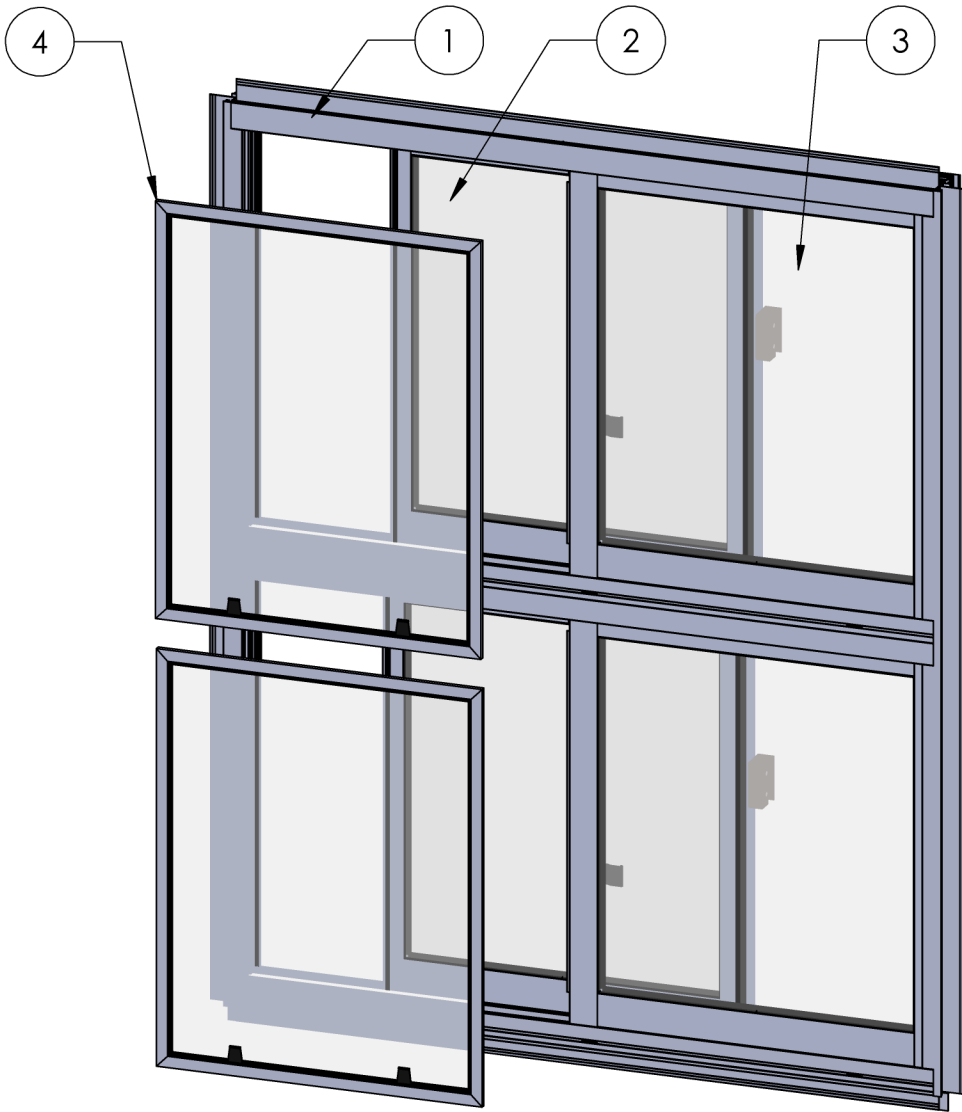


TABLE OF CONTENTS

ITEM NO.	PART NUMBER	QTY.	PAGE #
1	Frame Assembly	1	2-3
2	X Panel Assembly	2	4-5
3	O Panel Assembly	2	6-7
4	Screen Assembly	2	8

Description
 Table of Contents

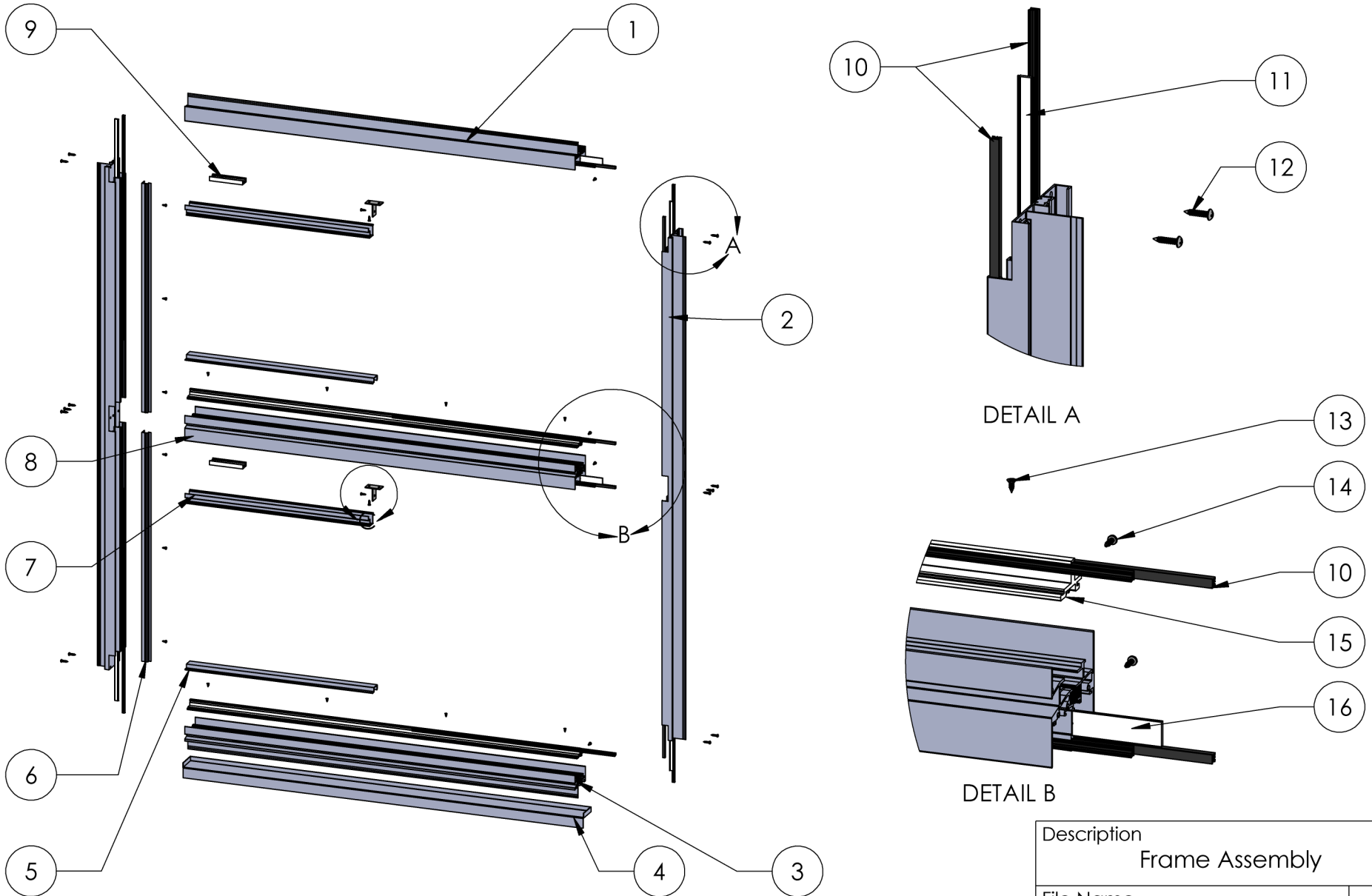
File Name
 Series 330-T XO/XO
 Assembly

REV
C

Released 7/16/2025

SHEET 1 OF 8

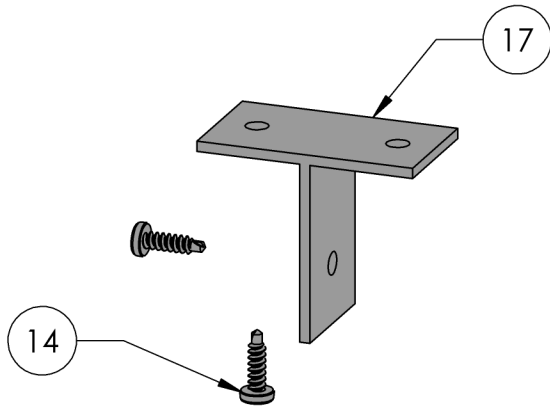
ASSEMBLY / PARTS LIST (B.O.M.)



PROPRIETARY AND CONFIDENTIAL
THE INFORMATION CONTAINED IN THIS DRAWING IS THE SOLE PROPERTY OF FLEETWOOD WINDOWS & DOORS.
ANY REPRODUCTION IN PART OR AS A WHOLE WITHOUT THE WRITTEN PERMISSION OF FLEETWOOD WINDOWS & DOORS IS PROHIBITED.

Description Frame Assembly	
File Name Series 330-T XO/XO Assembly	REV C
Released 7/16/2025	SHEET 2 OF 8

ASSEMBLY / PARTS LIST (B.O.M.)



DETAIL C

EXTRUSIONS

ITEM NO.	PART NUMBER	DESCRIPTION	QTY.
1	5309	Nail-on Head	1
2	5301	Nail-On Jamb	2
3	5343	Nail-on Sill	1
4	SPN330N	Nailfin Sill Pan	1
5	5311	Sill Filler/Closer	2
6	5390	Screen Adapter (Slider Jamb)	2
7	5391	Head Filler	2

HARDWARE

ITEM NO.	PART NUMBER	DESCRIPTION	QTY.
8	5367	Integral Stack Bar (Std)	1
9	22918	Anti-Lift/Fix Pan Guide (BL1397)	2
10	19118	Fin Seal Mohair (23027045BKQB)	14
11	22913	PVC Jamb Isolator	4
12	20314	#8 PHP-A Screw, .75 in, SS, Clear	14
13	20901	#6 X 3/8" UC FHSM	Varies
14	20228, 20229	#6 PHP-TEK, .5, (S.S., Black)	8
15	19092	PVC Sill Center	2
16	19095	PVC Head Filler (BL1265)	2
17	25766, 25767	T-Clip, (Clear, Black)	2

Description
Frame Assembly

File Name
Series 330-T XO/XO
Assembly

REV
C

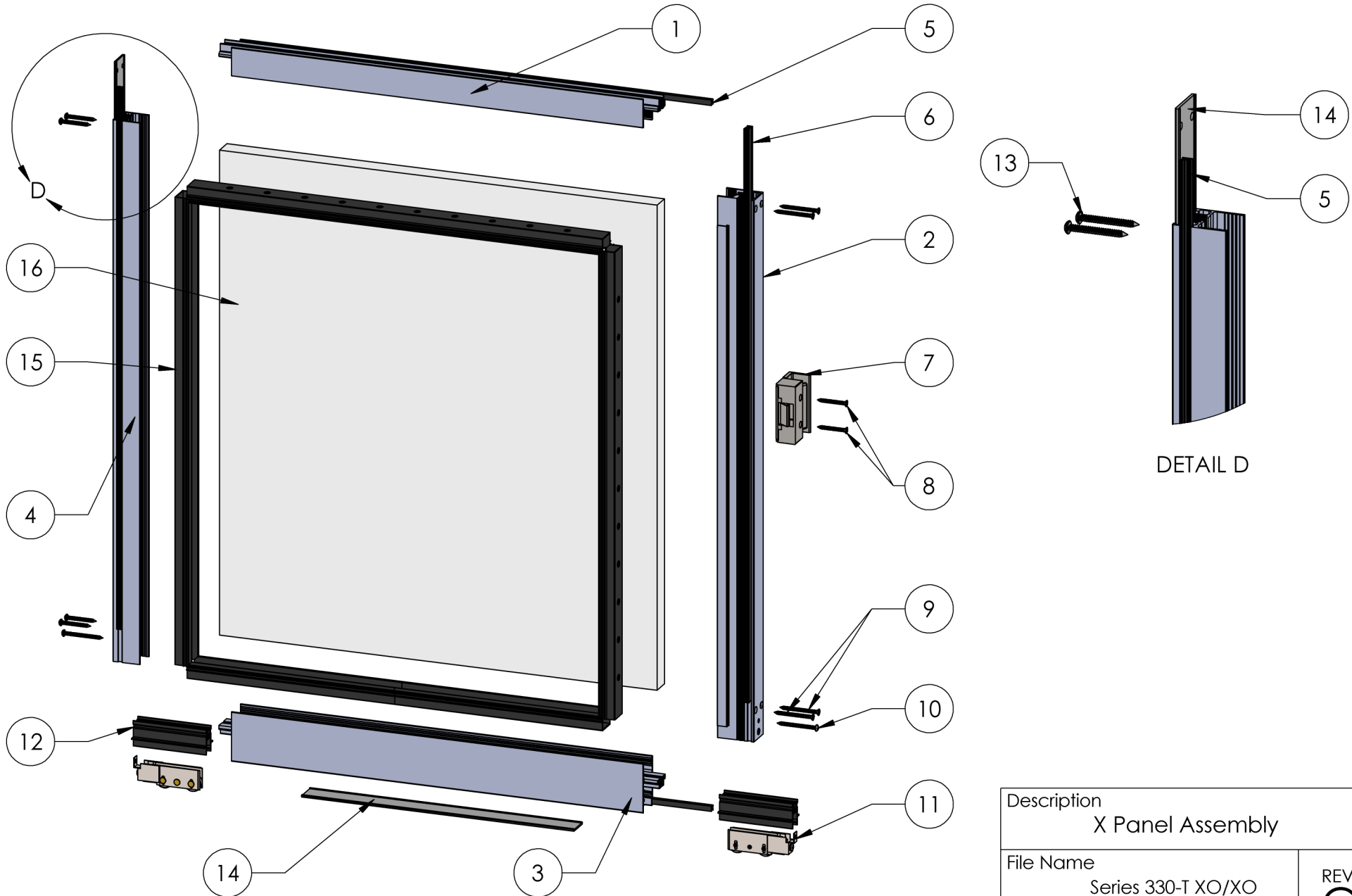
PROPRIETARY AND CONFIDENTIAL

THE INFORMATION CONTAINED IN THIS DRAWING IS THE SOLE PROPERTY OF FLEETWOOD WINDOWS & DOORS.
ANY REPRODUCTION IN PART OR AS A WHOLE WITHOUT THE WRITTEN PERMISSION OF FLEETWOOD WINDOWS & DOORS IS PROHIBITED.

Released 7/16/2025

SHEET 3 OF 8

ASSEMBLY / PARTS LIST (B.O.M.)



PROPRIETARY AND CONFIDENTIAL
 THE INFORMATION CONTAINED IN THIS DRAWING IS THE SOLE PROPERTY OF FLEETWOOD WINDOWS & DOORS.
 ANY REPRODUCTION IN PART OR AS A WHOLE WITHOUT THE WRITTEN PERMISSION OF FLEETWOOD WINDOWS & DOORS IS PROHIBITED.

Description X Panel Assembly	
File Name Series 330-T XO/XO Assembly	REV C
Released 7/16/2025	SHEET 4 OF 8

ASSEMBLY / PARTS LIST (B.O.M.)

EXTRUSIONS			
ITEM NO.	PART NUMBER	DESCRIPTION	QTY.
1	5348	Top Rail DG	1
2	5371	Sliding Interlock DG	1
3	5349	Bottom Rail DG	1
4	5338	Lead Stile DG	1
HARDWARE			
ITEM NO.	PART NUMBER	DESCRIPTION	QTY.
5	19118	Fin Seal Mohair (23027045BKQB)	3
6	20516	Fin Seal Mohair (50027045BKGB)	1
7	24636	Archetype Window Latch	1
8	20252, 20253	#8 FHP Screw, 1.5 in. (S.S., Black)	2
9	20258, 20256	#8 FHP Screw, 2.0 in. (S.S., Black)	4
10	20326, 20327	#8 PHP - A, 2.0", SS, (Clear, Black)	2
11	18894	Tandem Nylon Roller	2
12	22898	Roller Insert	2
13	20324	#8 PHP - A, 1.5 in. (Black)	4
14	19113	PVC Spreader Bar	2
15	19056	1 in. Glazing Vinyl (BL 325)	1
16	-	Glass	1

Description
X Panel Assembly

File Name
Series 330-T XO/XO
Assembly

REV
C

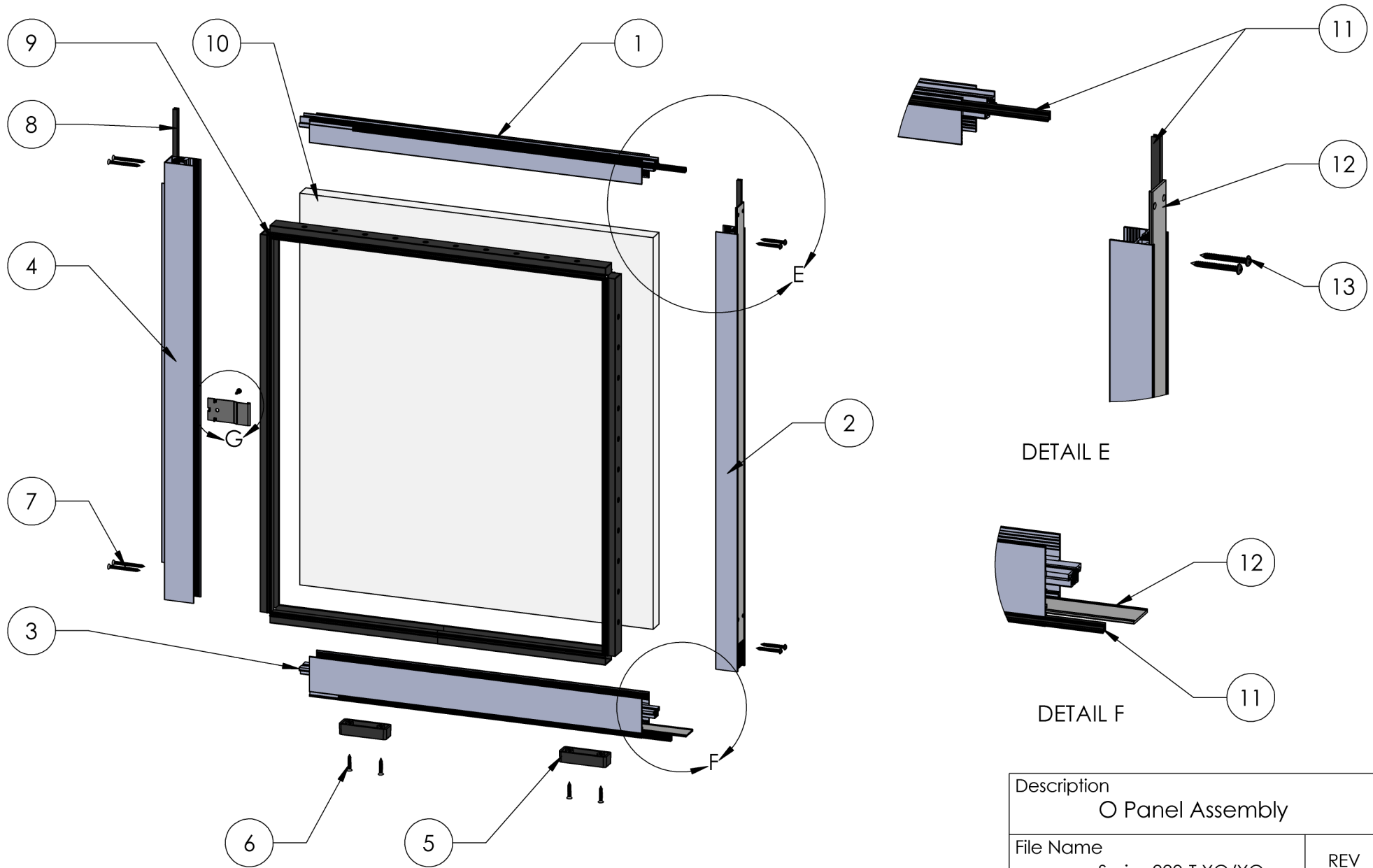
PROPRIETARY AND CONFIDENTIAL

THE INFORMATION CONTAINED IN THIS DRAWING IS THE SOLE PROPERTY OF FLEETWOOD WINDOWS & DOORS.
ANY REPRODUCTION IN PART OR AS A WHOLE WITHOUT THE WRITTEN PERMISSION OF FLEETWOOD WINDOWS & DOORS IS PROHIBITED.

Released 7/16/2025

SHEET 5 OF 8

ASSEMBLY / PARTS LIST (B.O.M.)



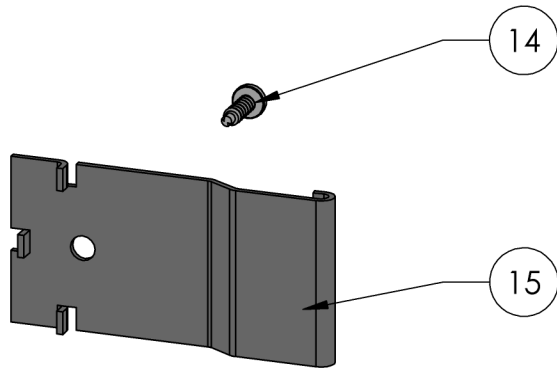
DETAIL E

DETAIL F

Description O Panel Assembly	
File Name Series 330-T XO/XO Assembly	REV C
Released 7/16/2025	SHEET 6 OF 8

PROPRIETARY AND CONFIDENTIAL
THE INFORMATION CONTAINED IN THIS DRAWING IS THE SOLE PROPERTY OF FLEETWOOD WINDOWS & DOORS.
ANY REPRODUCTION IN PART OR AS A WHOLE WITHOUT THE WRITTEN PERMISSION OF FLEETWOOD WINDOWS & DOORS IS PROHIBITED.

ASSEMBLY / PARTS LIST (B.O.M.)



DETAIL G

EXTRUSIONS

ITEM NO.	PART NUMBER	DESCRIPTION	QTY.
1	5348	Top Rail DG	1
2	5338	Lead Stile DG	1
3	5349	Bottom Rail DG	1
4	5370	Fixed Interlock DG	1

HARDWARE

ITEM NO.	PART NUMBER	DESCRIPTION	QTY.
5	25386	Fix Panel Block	2
6	20248	#8 FHP - A, 1", SS, Black	4
7	20258, 20256	#8 FHP Screw, 2.0 in. (S.S., Black)	4
8	19117	Fin Seal Mohair (23027045BKGB)	1
9	19056	1 in. Glazing Vinyl (BL 325)	1
10	-	Glass	1
11	19118	Fin Seal Mohair (23027045BKQB)	3
12	19113	PVC Spreader Bar	2
13	20324	#8 PHP - A, 1.5 in. (Black)	4
14	20228, 20229	#6 PHP-TEK, .5 in. (S.S., Black)	1
15	24106	Aspen Strike Plate (Keeper)	1

Description
O Panel Assembly

File Name
Series 330-T XO/XO
Assembly

REV
C

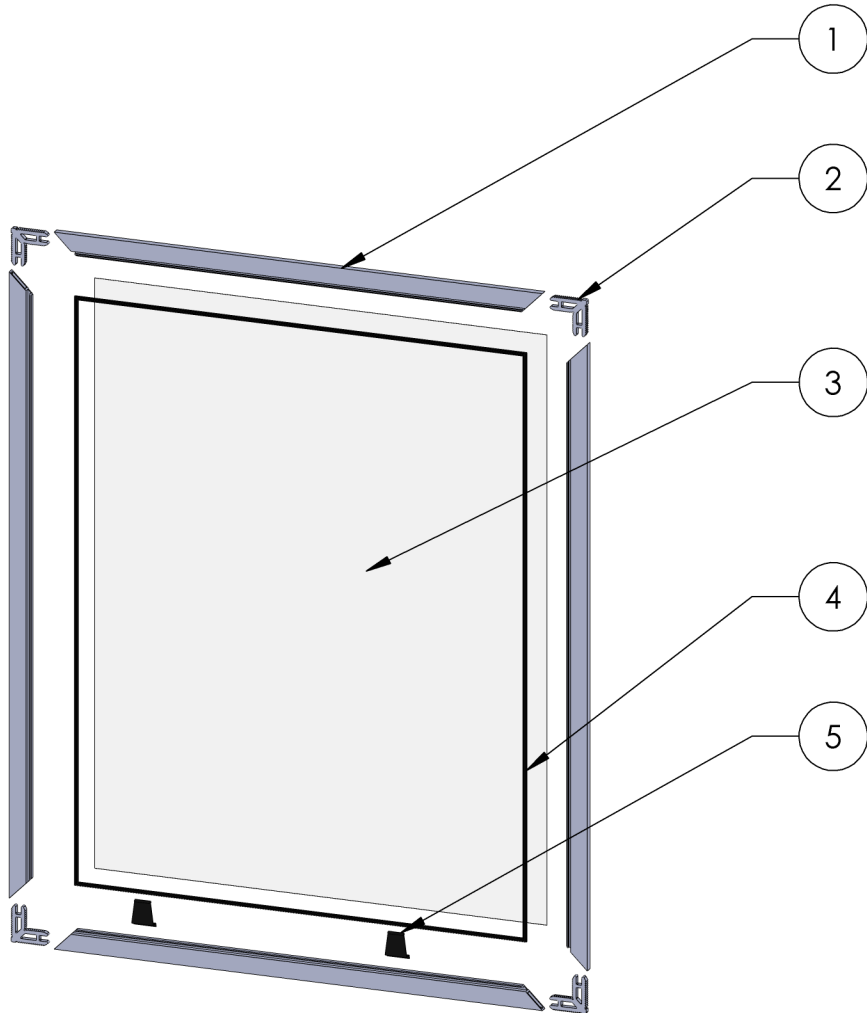
PROPRIETARY AND CONFIDENTIAL

THE INFORMATION CONTAINED IN THIS DRAWING IS THE SOLE PROPERTY OF FLEETWOOD WINDOWS & DOORS.
ANY REPRODUCTION IN PART OR AS A WHOLE WITHOUT THE WRITTEN PERMISSION OF FLEETWOOD WINDOWS & DOORS IS PROHIBITED.

Released 7/16/2025

SHEET 7 OF 8

ASSEMBLY / PARTS LIST (B.O.M.)



EXTRUSIONS			
ITEM NO.	PART NUMBER	DESCRIPTION	QTY.
1	114FF	5/16" Screen Frame	4
HARDWARE			
ITEM NO.	PART NUMBER	DESCRIPTION	QTY.
2	27129	Screen Corner Key	4
3	-	Ultra Vue Screen Mesh	1
4	19127	Screen Spline (.150)	1
5	25495	Screen Tab	2

Description Screen Assembly	
File Name Series 330-T XO/XO Assembly	REV C
Released 7/16/2025	SHEET 8 OF 8

PROPRIETARY AND CONFIDENTIAL
 THE INFORMATION CONTAINED IN THIS DRAWING IS THE SOLE PROPERTY OF FLEETWOOD WINDOWS & DOORS.
 ANY REPRODUCTION IN PART OR AS A WHOLE WITHOUT THE WRITTEN PERMISSION OF FLEETWOOD WINDOWS & DOORS IS PROHIBITED.