

**FLEETWOOD**  
WINDOWS & DOORS  
FleetwoodUSA.com

**NORWOOD 3070EX M/S**  
**XXXX CUSTOM CONFIGURATION**  
**NO SCREENS**

ORDER NO.:

ITEM NO.:

REQUIRED DEALER INFO.

**A**(DAYLIGHT WIDTH)

**B**(NET FRAME HEIGHT)

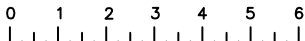
SILL PAN HEIGHT(INTERIOR LEG)  
(1-3/4", 2", 2-1/2")

CALCULATED VALUES (FLEETWOOD SUPPLIED)

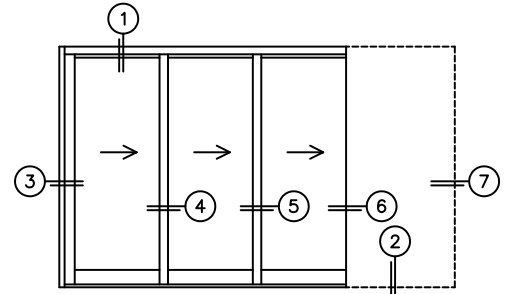
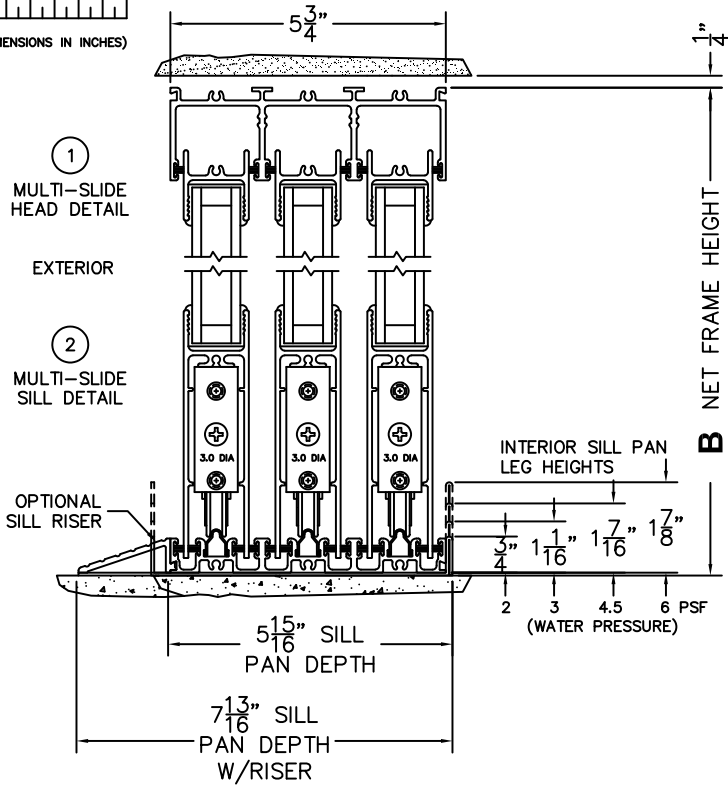
**C**(POCKET WIDTH)

**D**(NET FRAME WDH)

NOTES:



(USE RULER TO SCALE DIMENSIONS IN INCHES)  
**SCALE: 1/4**



XXXX DOOR SHOWN

- ③  
LOCK JAMB
- ④  
INTERLOCKERS
- ⑤  
INTERLOCKERS
- ⑥  
POCKET INTERLOCKERS
- ⑦  
POCKET JAMB

