



ORDER NO.:

ITEM NO.:

REQUIRED DEALER INFO.

A(DAYLIGHT WIDTH)

B(NET FRAME HEIGHT)

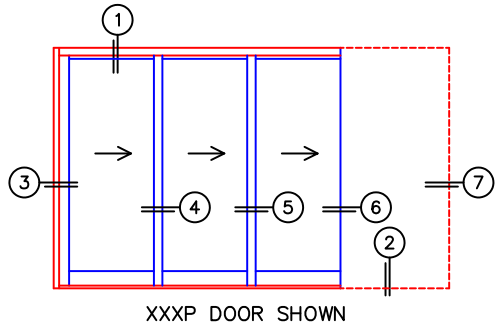
SILL PAN HEIGHT (INTERIOR LEG)
(3/4", 1-1/16", 1-7/16" OR 1-7/8")

CALCULATED VALUES (FLEETWOOD SUPPLIED)

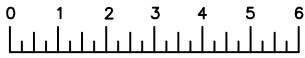
C(POCKET WIDTH)

D(NET FRAME WIDTH)

NOTES:

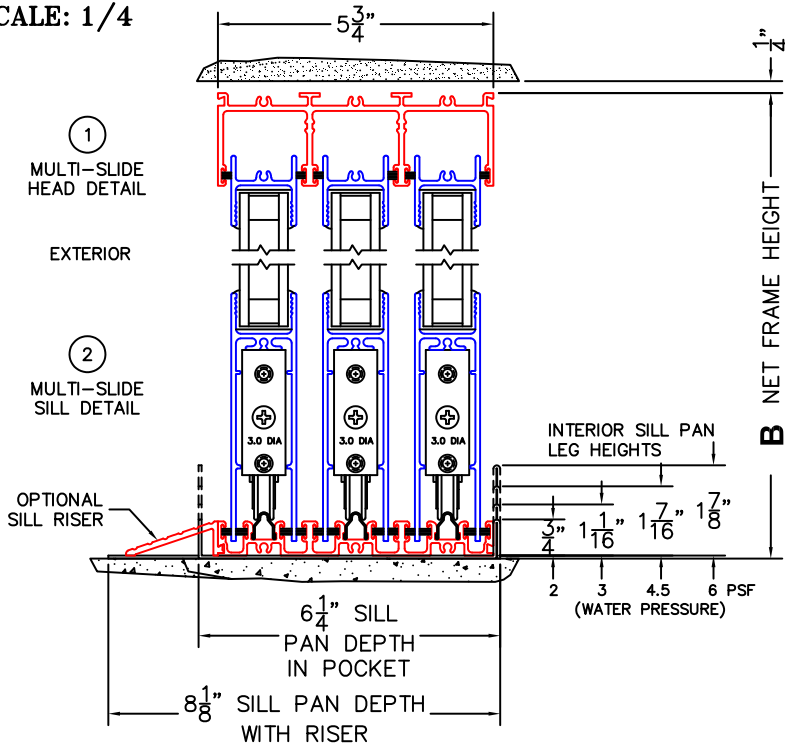


XXXXP DOOR SHOWN



(USE RULER TO SCALE DIMENSIONS IN INCHES)

SCALE: 1/4



- ③ LOCK JAMB
- ④ INTERLOCKERS
- ⑤ INTERLOCKERS
- ⑥ POCKET INTERLOCKERS
- ⑦ POCKET JAMB

