



**FLEETWOOD**  
WINDOWS & DOORS  
FleetwoodUSA.com

**NORWOOD 3070EX M/S**  
XXXIXXX STANDARD CONFIGURATION  
NO SCREENS

ORDER NO.:

ITEM NO.:

REQUIRED DEALER INFO.

**A**(NET FRAME WIDTH)

**B**(NET FRAME HEIGHT)

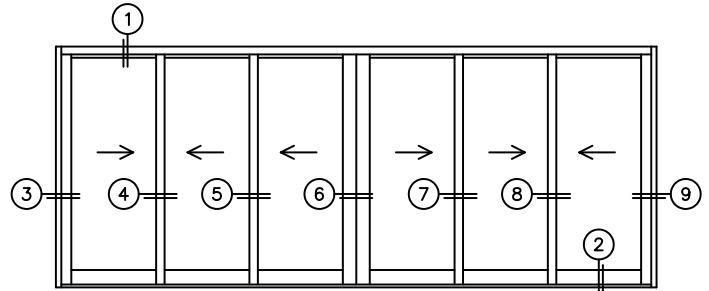
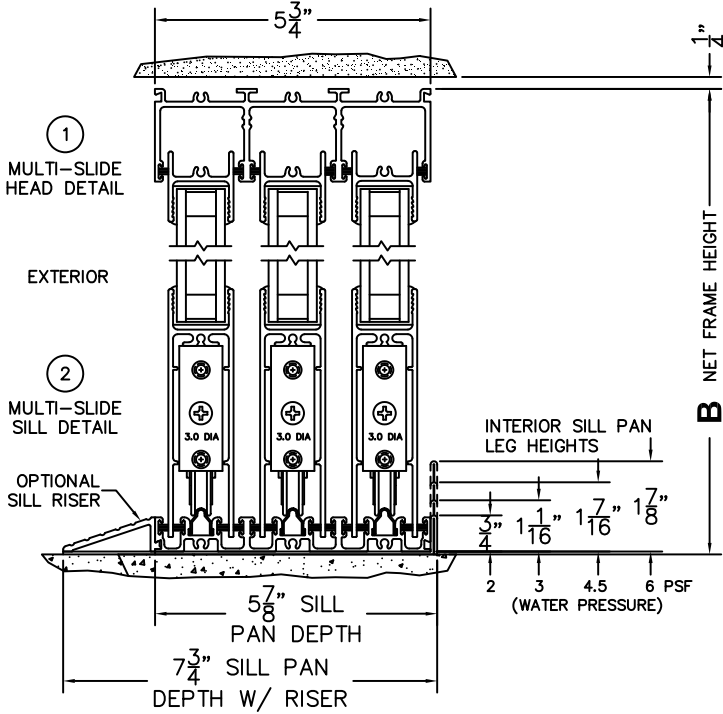
SILL PAN HEIGHT (INTERIOR LEG)  
(3/4", 1-1/16", 1-7/16" OR 1-7/8")

NOTES:



(USE RULER TO SCALE DIMENSIONS IN INCHES)

SCALE: 1/4



- ③  
LOCK JAMB
- ④  
INTERLOCKERS
- ⑤  
INTERLOCKERS
- ⑥  
MEETING STILES
- ⑦  
INTERLOCKERS
- ⑧  
INTERLOCKERS
- ⑨  
LOCK JAMB

