

**FLEETWOOD**  
WINDOWS & DOORS  
FleetwoodUSA.com

**NORWOOD 3070EX M/S**  
XXP CUSTOM CONFIGURATION  
NO SCREENS

ORDER NO.:

ITEM NO.:

SCALE: 1/4

**DOOR COLLECTOR B.O.M.**

FW PART NO.	QTY.
1063-1	1
1064-2	1
SCREW SIZES / LENGTHS	
#4-40 X 5/16"	2
#10-32 X 1-1/8"	2

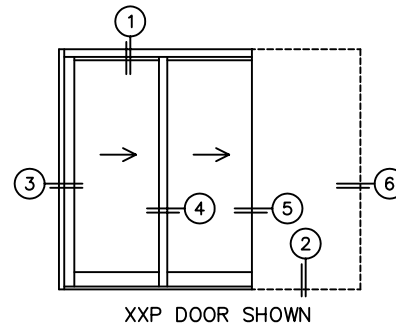
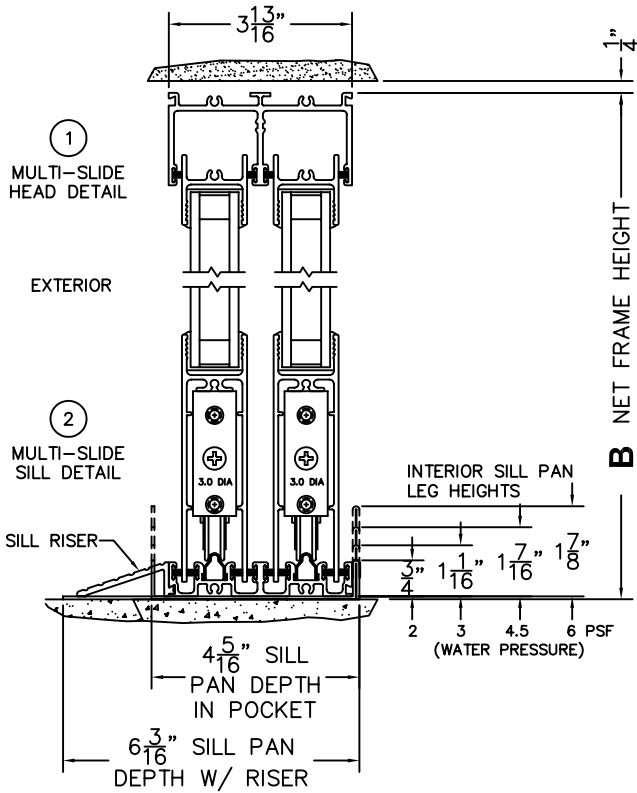
REQUIRED DEALER INFO.

<b>A</b> (DAYLIGHT WIDTH)	
<b>B</b> (NET FRAME HEIGHT)	
SILL PAN HEIGHT(INTERIOR LEG) (3/4", 1-1/16", 1-7/16" OR 1-7/8")	

CALCULATED VALUES (FLEETWOOD SUPPLIED)

<b>C</b> (POCKET WIDTH)	
<b>D</b> (NET FRAME WIDTH)	

NOTES:

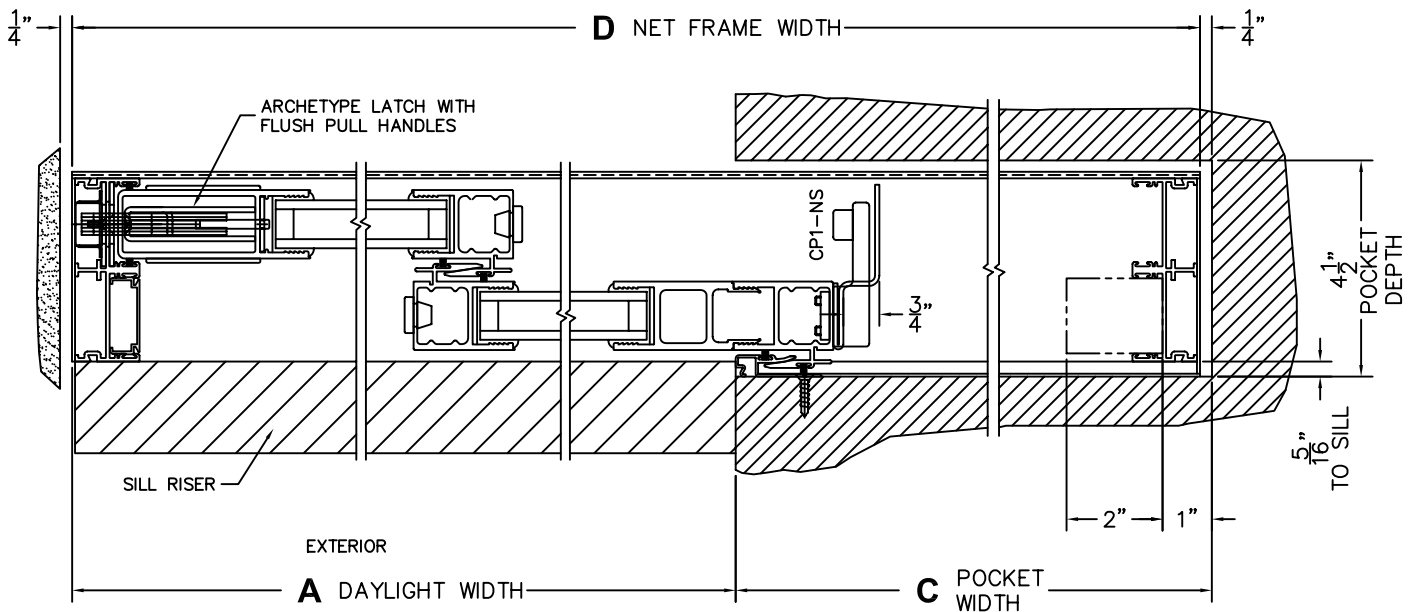


3 LOCK JAMB

4 INTERLOCKERS

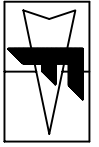
5 POCKET INTERLOCKERS

6 POCKET JAMB



**A** DAYLIGHT WIDTH

**C** POCKET WIDTH



**FLEETWOOD**  
 WINDOWS & DOORS  
 FleetwoodUSA.com

**NORWOOD 3070EX M/S**  
 XXP CUSTOM CONFIGURATION  
 NO SCREENS

ORDER NO.:

ITEM NO.:

SCALE: 1/4

POCKET VIEW: PANELS IN OPEN POSITION

