



**FLEETWOOD**  
WINDOWS & DOORS  
FleetwoodUSA.com

**NORWOOD 3070EX M/S**  
**XXO CUSTOM CONFIGURATION**  
**WITH SCREENS**

ORDER NO.:

ITEM NO.:

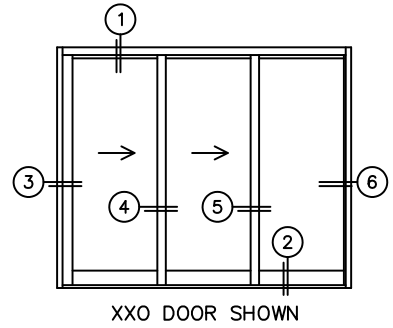
REQUIRED DEALER INFO.

**A**(NET FRAME WIDTH)

**B**(NET FRAME HEIGHT)

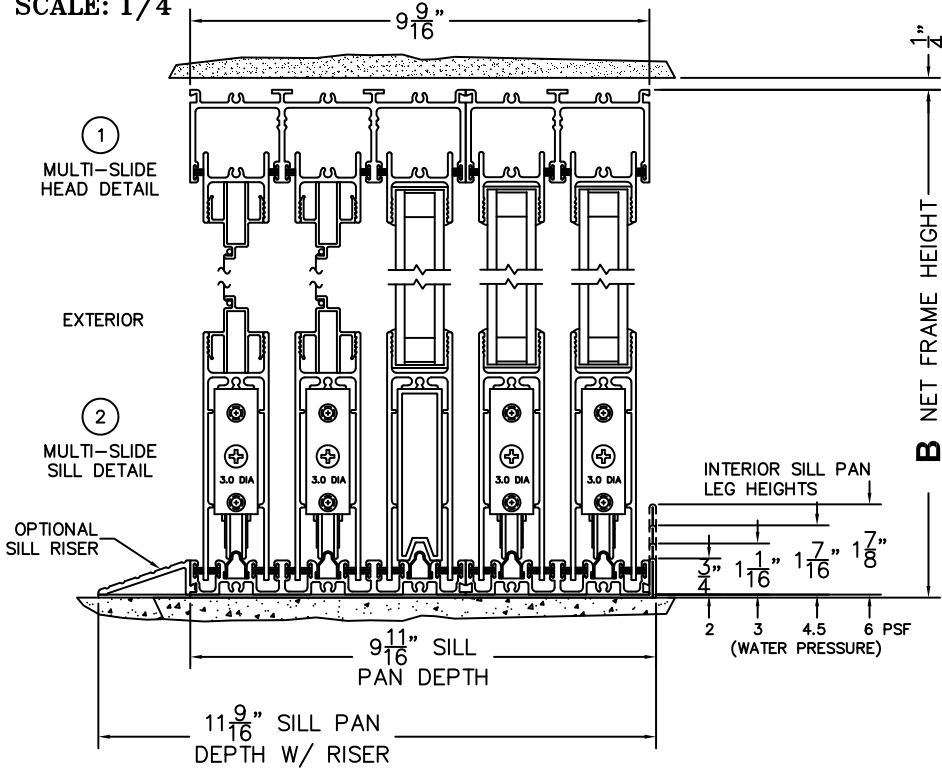
SILL PAN HEIGHT (INTERIOR LEG)  
(3/4", 1-1/16", 1-7/16" OR 1-7/8")

NOTES:



(USE RULER TO SCALE DIMENSIONS IN INCHES)

SCALE: 1/4



3 ARCHITYPE LATCH WITH FLUSH PULL HANDLES LOCK JAMB

4 INTERLOCKERS

5 INTERLOCKERS

6 FIXED JAMB

