

FLEETWOOD
WINDOWS & DOORS
FleetwoodUSA.com

NORWOOD 3070EX M/S
XXO CUSTOM CONFIGURATION
NO SCREENS

ORDER NO.:

ITEM NO.:

SCALE: 1/4

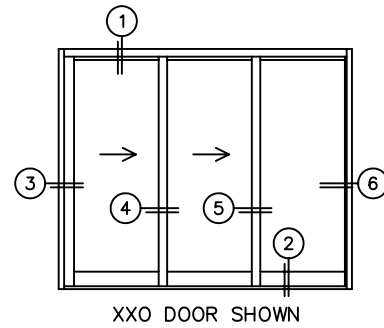
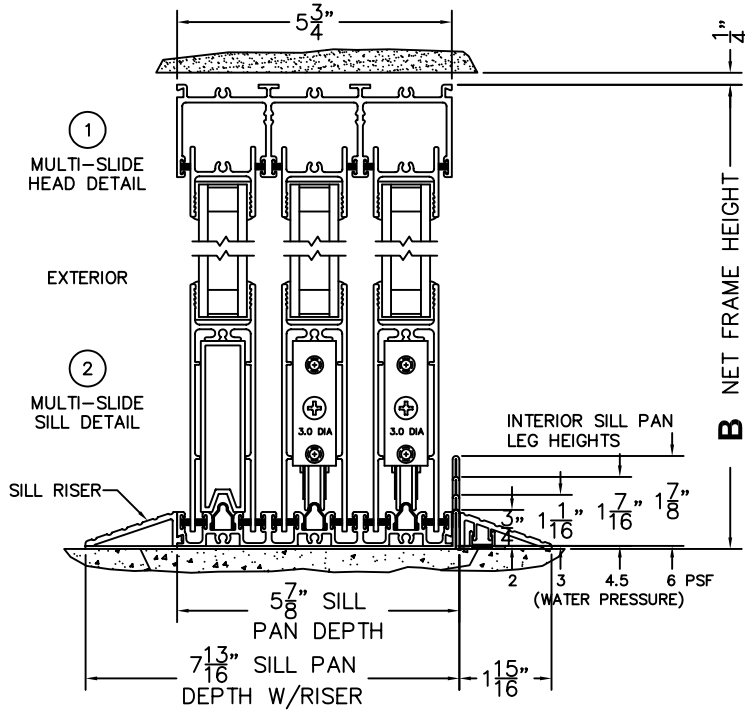
REQUIRED DEALER INFO.

DOOR COLLECTOR B.O.M.

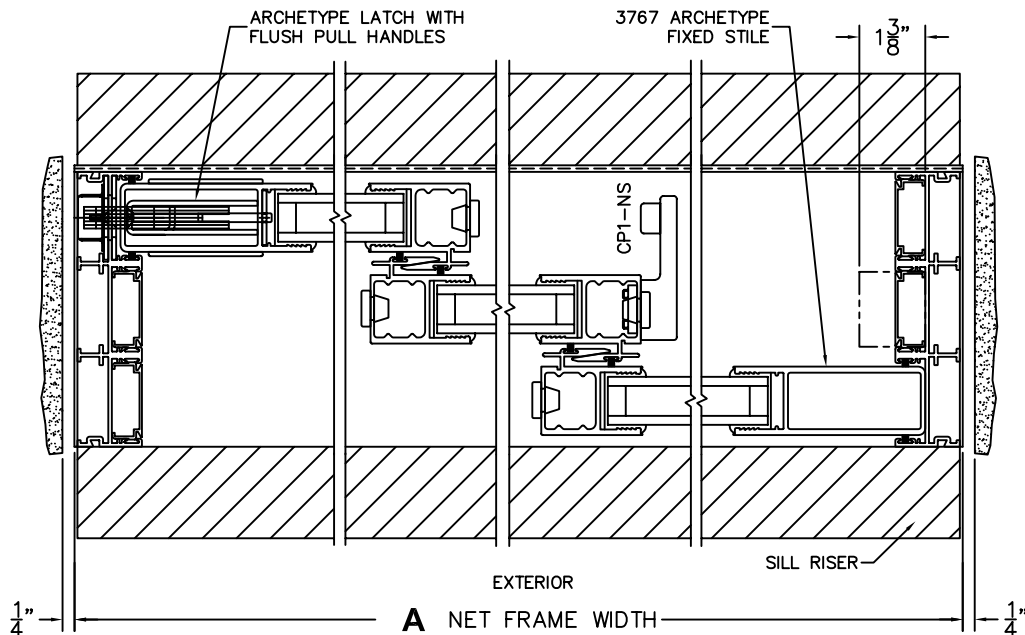
FW PART NO.	QTY.
1063-1	1
1064-2	1
SCREW SIZES / LENGTHS	
#4-40 X 5/16"	2
#10-32 X 1-1/8"	2

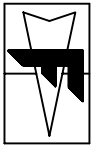
A (NET FRAME WIDTH)	
B (NET FRAME HEIGHT)	
SILL PAN HEIGHT(INTERIOR LEG) (3/4", 1-1/16", 1-7/16" OR 1-7/8")	

NOTES:



3 LOCK JAMB 4 INTERLOCKERS 5 INTERLOCKERS 6 FIXED JAMB





FLEETWOOD
 WINDOWS & DOORS
 FleetwoodUSA.com

NORWOOD 3070EX M/S
 XXO CUSTOM CONFIGURATION
 NO SCREENS

ORDER NO.:
 ITEM NO.:

SCALE: 1/4

FLUSH STACK: PANELS IN OPEN POSITION

