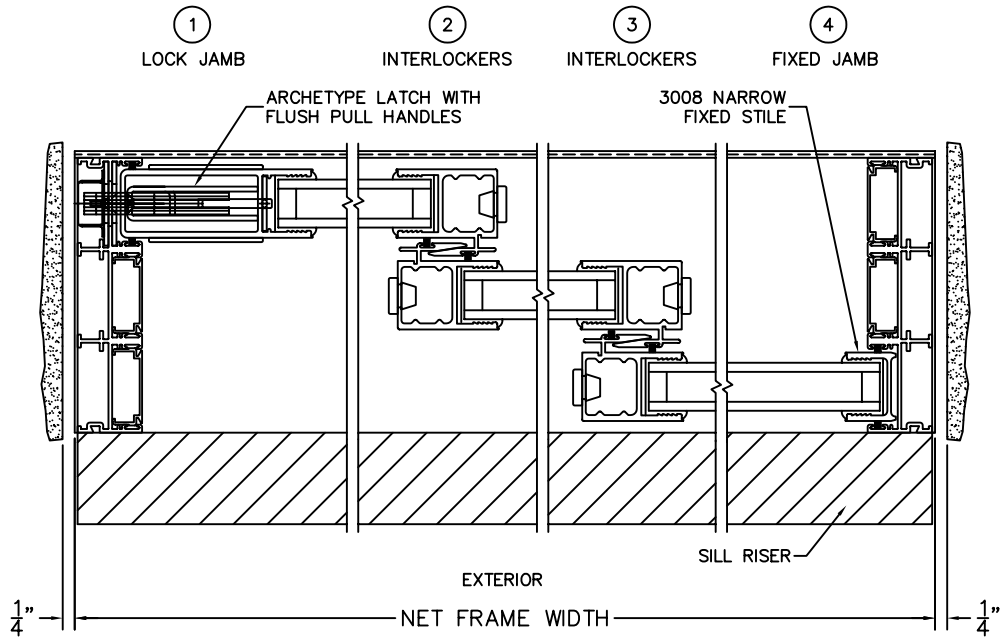




SCALE: 1/4



PANELS IN OPEN POSITION

