

FLEETWOOD
WINDOWS & DOORS
FleetwoodUSA.com

NORWOOD 3070EX M/S
XXO CUSTOM CONFIGURATION
NO SCREENS

ORDER NO.:

ITEM NO.:

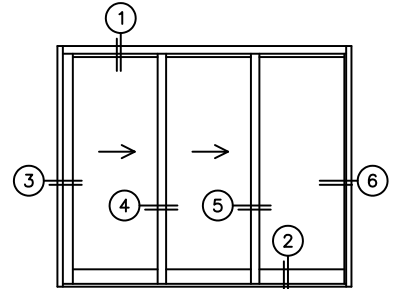
REQUIRED DEALER INFO.

A(NET FRAME WIDTH)

B(NET FRAME HEIGHT)

SILL PAN HEIGHT (INTERIOR LEG)
(3/4", 1-1/16", 1-7/16" OR 1-7/8")

NOTES:

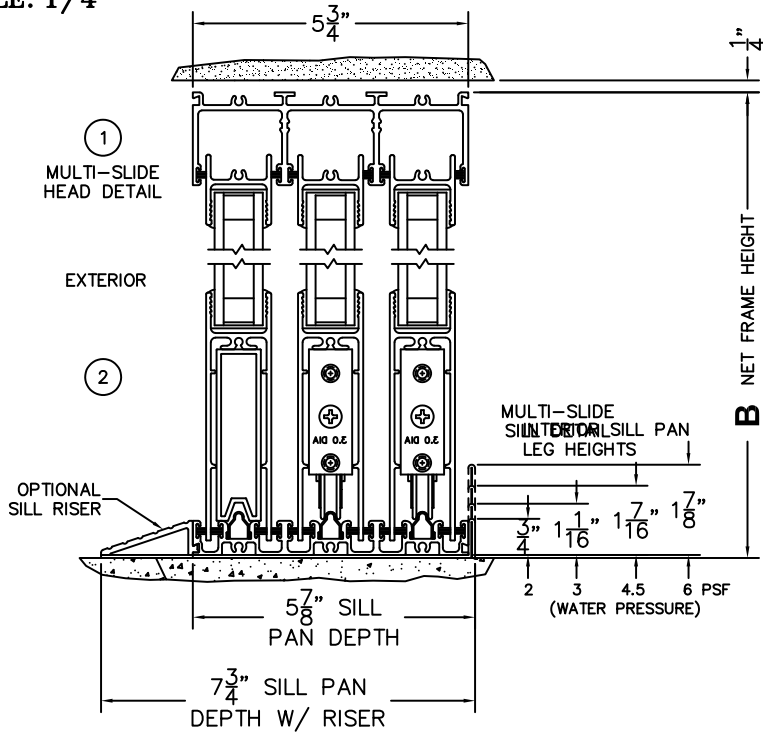


XXO DOOR SHOWN



(USE RULER TO SCALE DIMENSIONS IN INCHES)

SCALE: 1/4



①
MULTI-SLIDE
HEAD DETAIL

EXTERIOR

②

OPTIONAL
SILL RISER

MULTI-SLIDE
SILL PAN
LEG HEIGHTS

2 3 4.5 6 PSF
(WATER PRESSURE)

③
LOCK JAMB

④
INTERLOCKERS

⑤
INTERLOCKERS

⑥
FIXED JAMB

FLUSH PULL HARDWARE
WITH SECURITY LATCH

