

**FLEETWOOD**  
WINDOWS & DOORS  
FleetwoodUSA.com

**NORWOOD 3070EX M/S**  
**XXIO STANDARD CONFIGURATION**  
**WITH SCREENS**

ORDER NO.:

ITEM NO.:

REQUIRED DEALER INFO.

**A**(NET FRAME WIDTH)

**B**(NET FRAME HEIGHT)

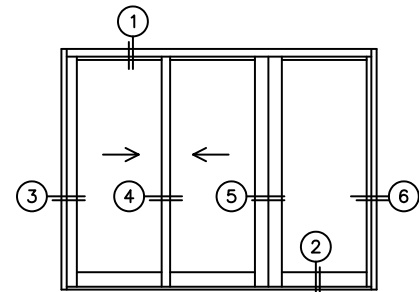
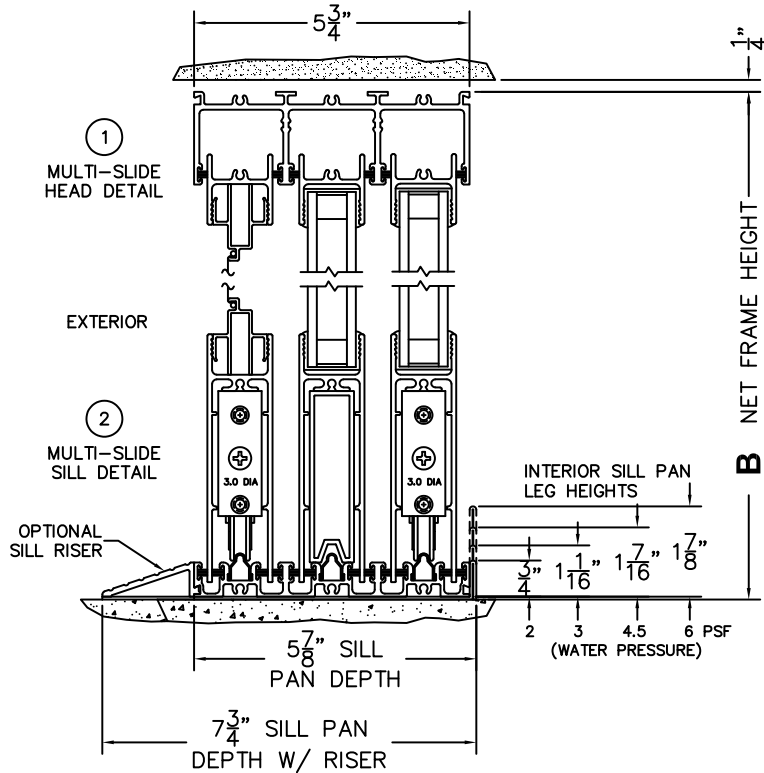
SILL PAN HEIGHT(INTERIOR LEG)  
(3/4", 1-1/16", 1-7/16" OR 1-7/8")



(USE RULER TO SCALE DIMENSIONS IN INCHES)

SCALE: 1/4

NOTES:



XXIO DOOR SHOWN

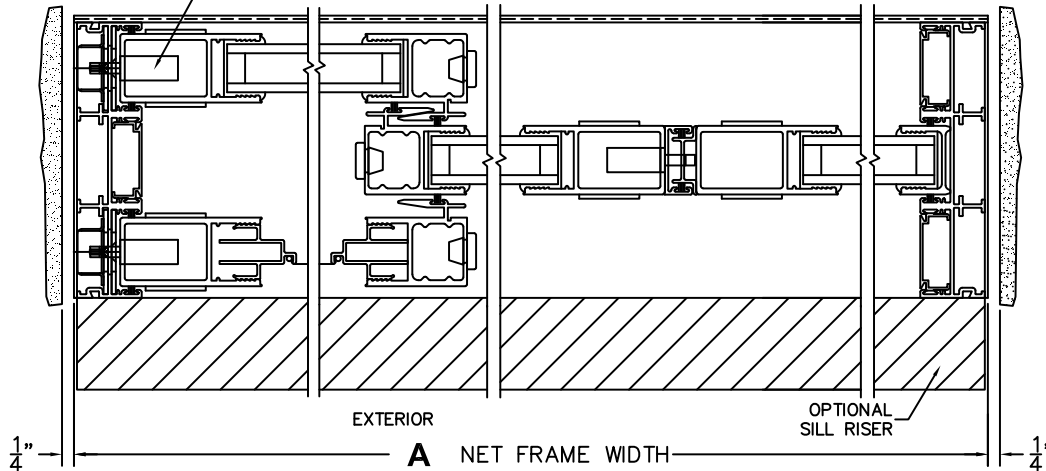
3 LOCK JAMB

4 INTERLOCKERS

5 MEETING STILES

6 FIXED JAMB

FLUSH PULL HARDWARE  
WITH SECURITY LATCH



**A** NET FRAME WIDTH