

FLEETWOOD
WINDOWS & DOORS
FleetwoodUSA.com

NORWOOD 3070EX M/S
XX CUSTOM CONFIGURATION
NO SCREENS

ORDER NO.:

ITEM NO.:

SCALE: 1/4

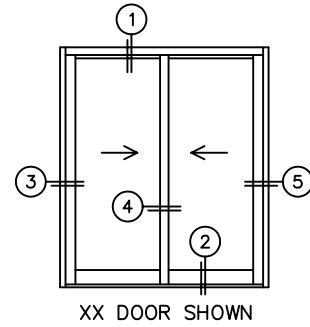
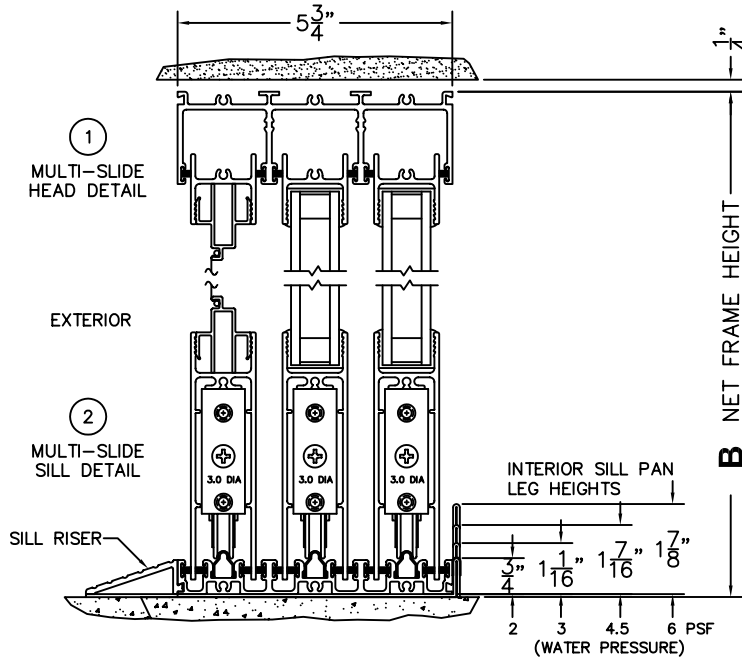
REQUIRED DEALER INFO.

A(NET FRAME WIDTH)

B(NET FRAME HEIGHT)

SILL PAN HEIGHT(INTERIOR LEG)
(3/4", 1-1/16", 1-7/16" OR 1-7/8")

NOTES:



3 LOCK JAMB

4 INTERLOCKERS

5 LOCK JAMB

ARCHETYPE LATCH WITH FLUSH PULL HANDLES

