

FLEETWOOD
WINDOWS & DOORS
FleetwoodUSA.com

NORWOOD 3070EX M/S
XP CUSTOM CONFIGURATION
NO SCREENS

ORDER NO.:

ITEM NO.:

SCALE: 1/4

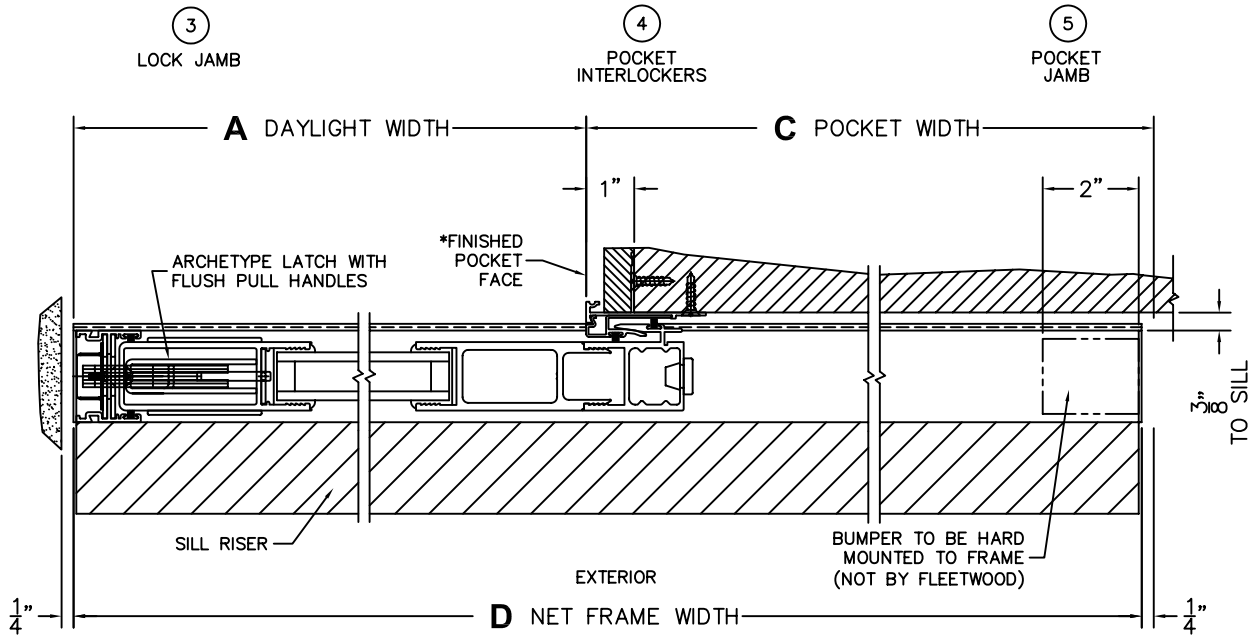
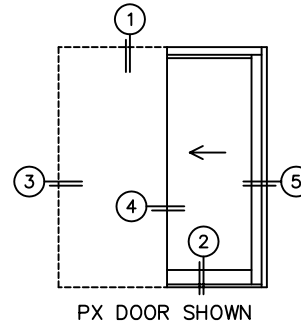
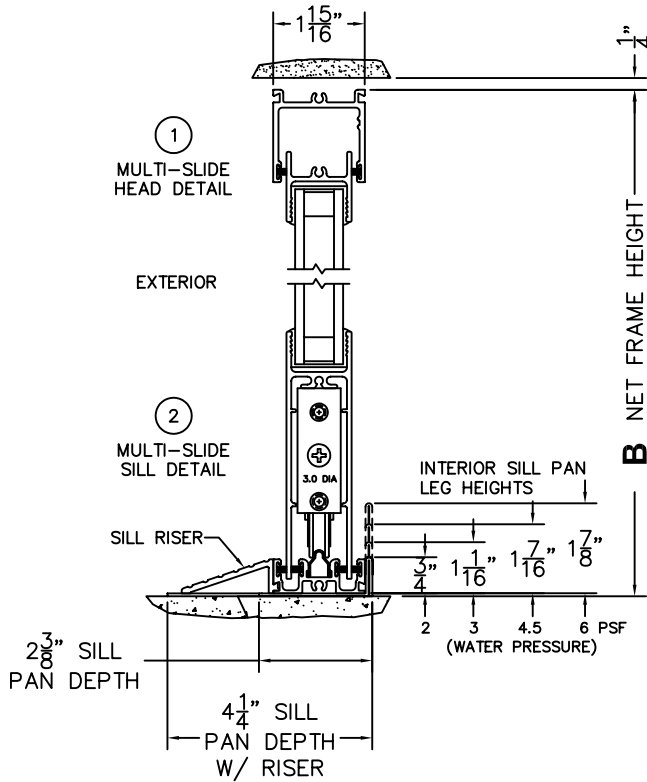
REQUIRED DEALER INFO.

A (DAYLIGHT WIDTH)	
B (NET FRAME HEIGHT)	
SILL PAN HEIGHT(INTERIOR LEG) (3/4", 1-1/16", 1-7/16" OR 1-7/8")	

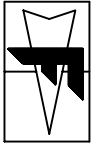
CALCULATED VALUES (FLEETWOOD SUPPLIED)

C (POCKET WIDTH)	
D (NET FRAME WIDTH)	

NOTES:



*CAUTION: WHEN CONSTRUCTING POCKET, NOTE THAT DAYLIGHT WIDTH DOES NOT INCLUDE 1" SET BACK FOR POST INTERLOCKER.



FLEETWOOD
 WINDOWS & DOORS
 FleetwoodUSA.com

NORWOOD 3070EX M/S
 XP CUSTOM CONFIGURATION
 NO SCREENS

ORDER NO.:

ITEM NO.:

SCALE: 1/4

OPEN POCKET DOOR: PANEL IN OPEN POSITION

