

**FLEETWOOD**  
WINDOWS & DOORS  
FleetwoodUSA.com

**NORWOOD 3070EX M/S**  
**XP CUSTOM CONFIGURATION**  
**NO SCREENS**

ORDER NO.:

ITEM NO.:

SCALE: 1/4

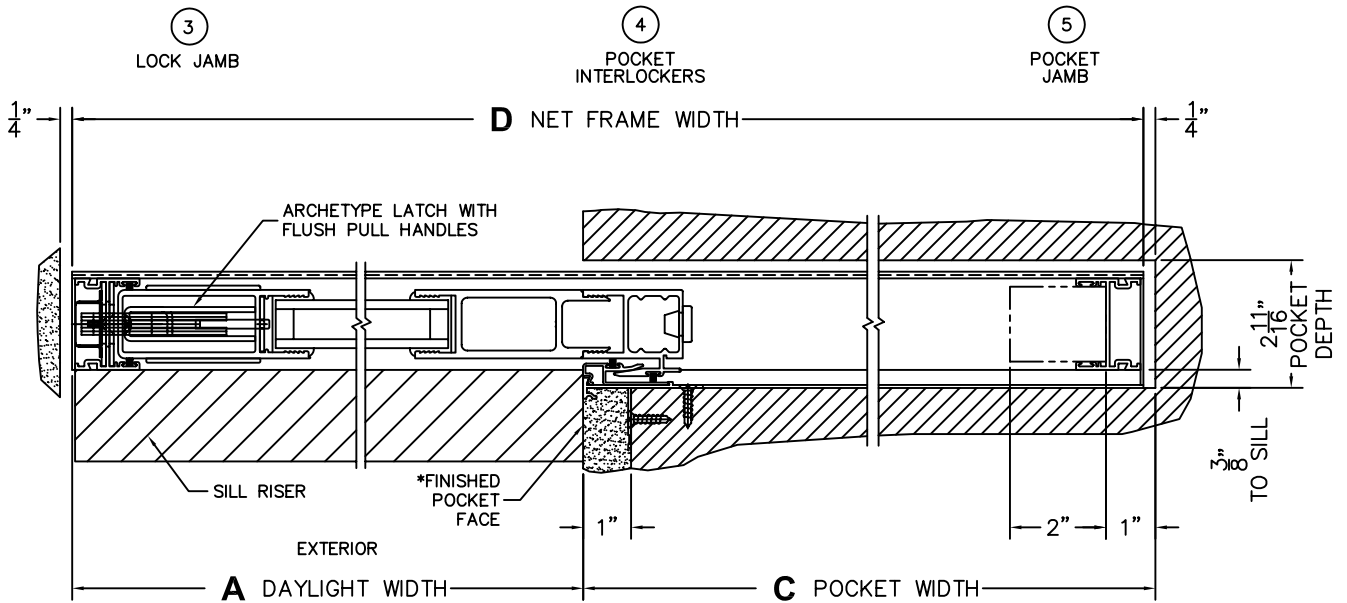
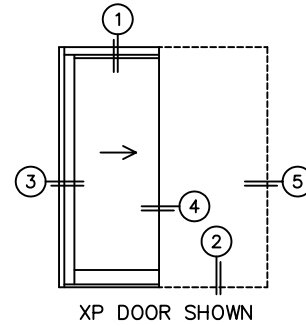
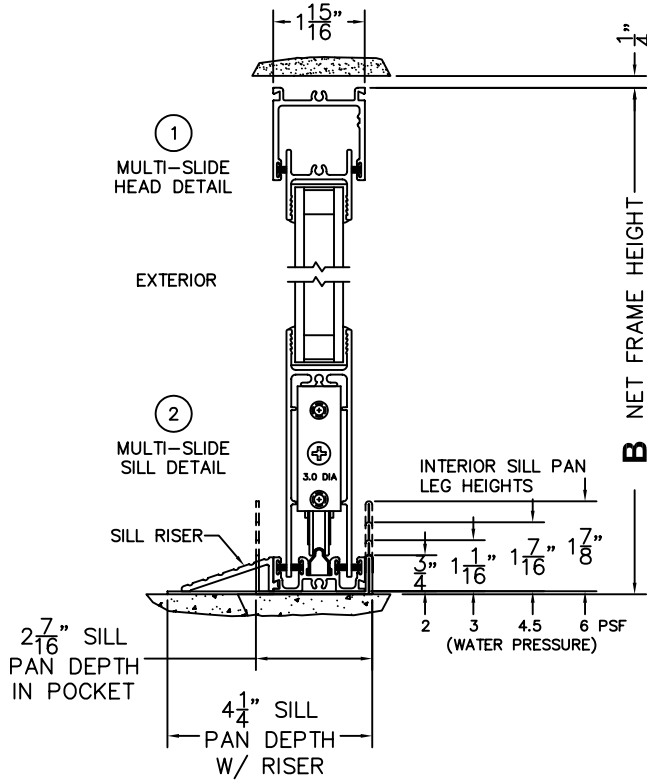
REQUIRED DEALER INFO.

<b>A</b> (DAYLIGHT WIDTH)	
<b>B</b> (NET FRAME HEIGHT)	
SILL PAN HEIGHT(INTERIOR LEG) (3/4", 1-1/16", 1-7/16" OR 1-7/8")	

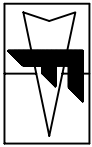
CALCULATED VALUES (FLEETWOOD SUPPLIED)

<b>C</b> (POCKET WIDTH)	
<b>D</b> (NET FRAME WIDTH)	

NOTES:



\*CAUTION: WHEN CONSTRUCTING POCKET, NOTE THAT DAYLIGHT WIDTH DOES NOT INCLUDE 1" SET BACK FOR POST INTERLOCKER.



**FLEETWOOD**  
WINDOWS & DOORS  
FleetwoodUSA.com

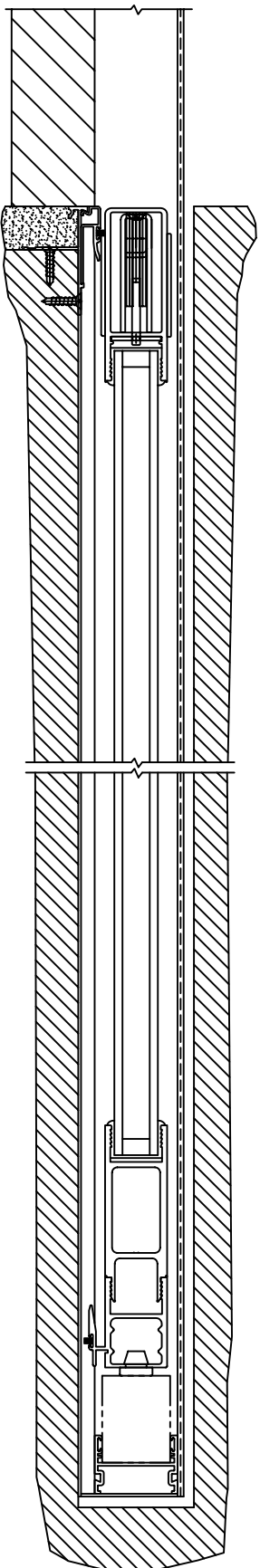
**NORWOOD 3070EX M/S**  
XP CUSTOM CONFIGURATION  
NO SCREENS

ORDER NO.:

ITEM NO.:

SCALE: 1/4

POCKET VIEW: PANEL IN OPEN POSITION



DWG NO.: 3070-EX-XP-NS0-IS-MS-SIE-HF-DN-AN-PE3-PJY-P12

SHEET: 2 OF 2

CUSTOMER  
SIGNATURE

DATE: