

FLEETWOOD
WINDOWS & DOORS
FleetwoodUSA.com

NORWOOD 3070EX M/S

X000000 STANDARD CONFIGURATION
NO SCREENS

ORDER NO.:

ITEM NO.:

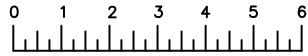
REQUIRED DEALER INFO.

A(NET FRAME WIDTH)

B(NET FRAME HEIGHT)

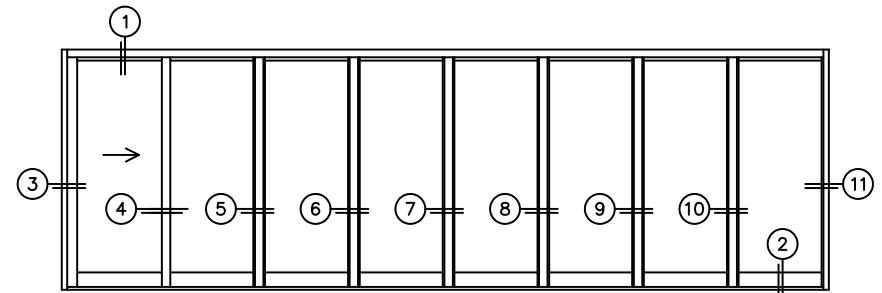
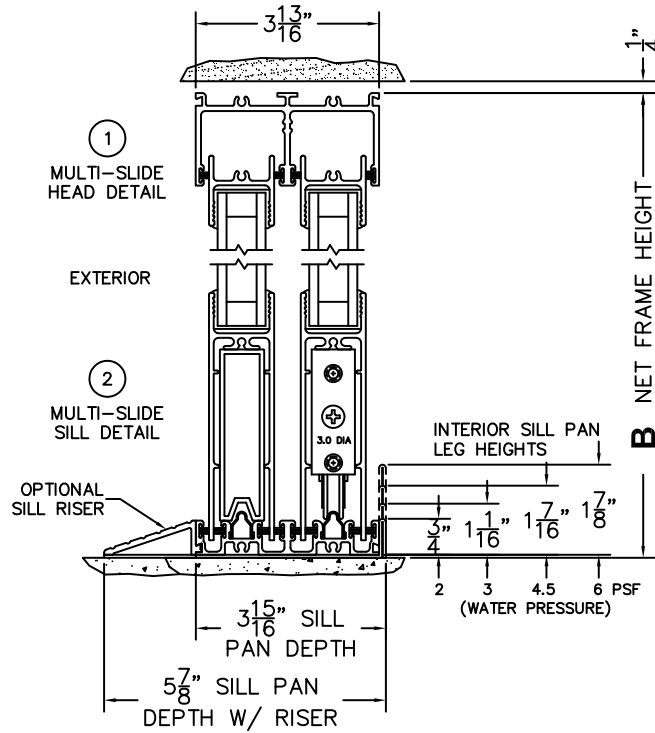
SILL PAN HEIGHT(INTERIOR LEG)
(3/4", 1-1/16", 1-7/16" OR 1-7/8")

NOTES:



(USE RULER TO SCALE DIMENSIONS IN INCHES)

SCALE: 1/4



X000000 DOOR SHOWN

- 3 LOCK JAMB
- 4 INTERLOCKERS
- 5 T-MULLION
- 6 T-MULLION
- 7 T-MULLION
- 8 T-MULLION
- 9 T-MULLION
- 10 T-MULLION
- 11 FIXED JAMB

FLUSH PULL HARDWARE WITH SECURITY LATCH

