



**FLEETWOOD**  
WINDOWS & DOORS  
FleetwoodUSA.com

**NORWOOD 3070EX M/S**  
X0000 STANDARD CONFIGURATION  
NO SCREENS

ORDER NO.:

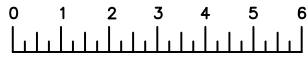
ITEM NO.:

REQUIRED DEALER INFO.

**A**(NET FRAME WIDTH)

**B**(NET FRAME HEIGHT)

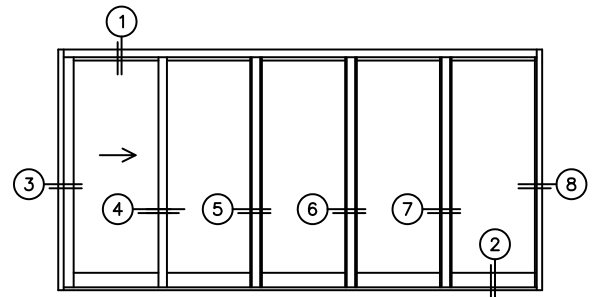
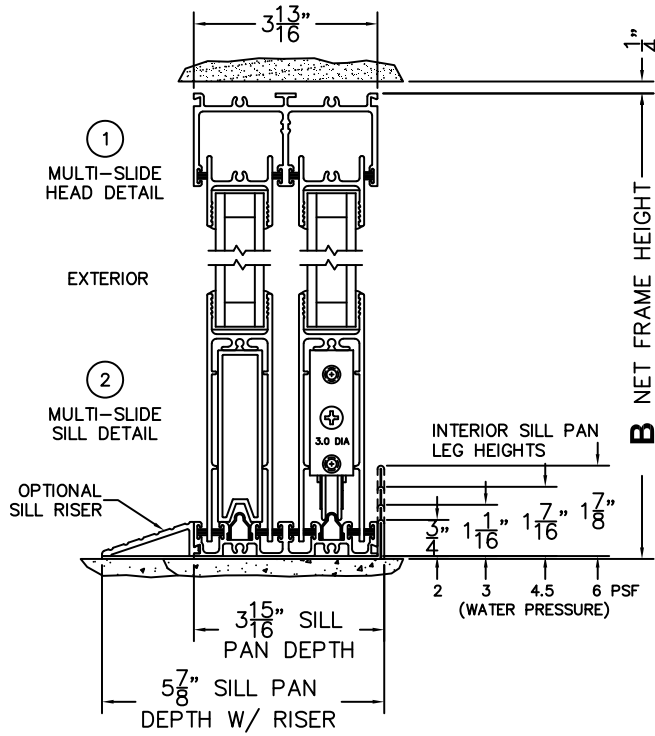
SILL PAN HEIGHT (INTERIOR LEG)  
(3/4", 1-1/16", 1-7/16" OR 1-7/8")



(USE RULER TO SCALE DIMENSIONS IN INCHES)

SCALE: 1/4

NOTES:



- ③  
LOCK JAMB
- ④  
INTERLOCKERS
- ⑤  
T-MULLION
- ⑥  
T-MULLION
- ⑦  
T-MULLION
- ⑧  
FIXED JAMB

