

**FLEETWOOD**  
WINDOWS & DOORS  
FleetwoodUSA.com

# NORWOOD 3070EX M/S

XOO CUSTOM CONFIGURATION  
WITH SCREENS

ORDER NO.:

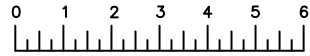
ITEM NO.:

REQUIRED DEALER INFO.

**A**(NET FRAME WIDTH)

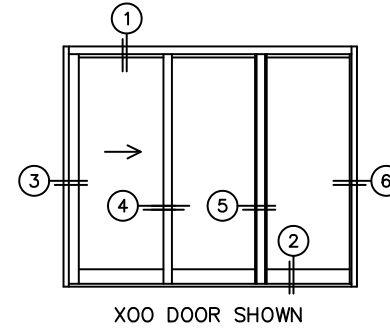
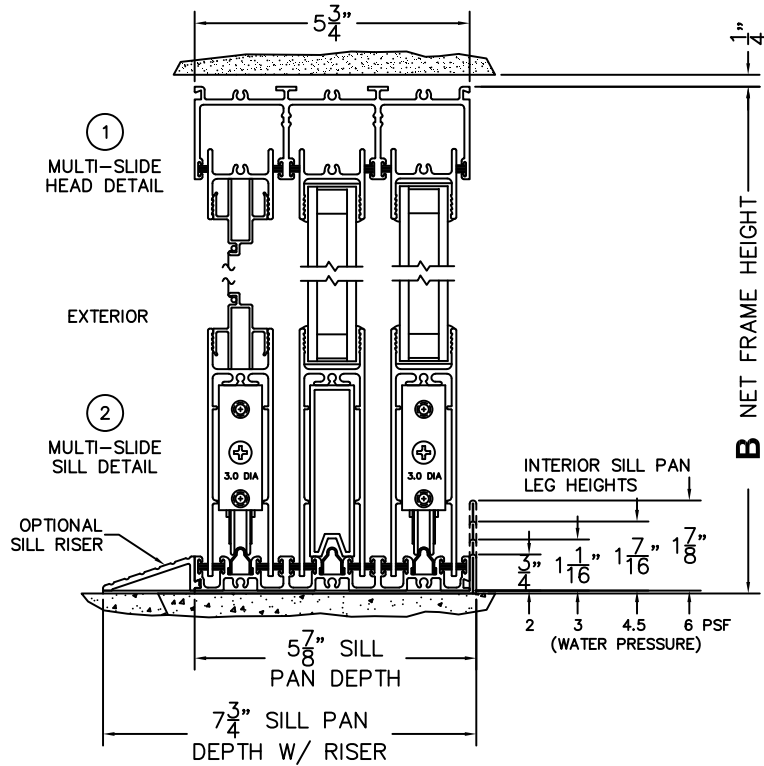
**B**(NET FRAME HEIGHT)

SILL PAN HEIGHT(INTERIOR LEG)  
(3/4", 1-1/16", 1-7/16" OR 1-7/8")



(USE RULER TO SCALE DIMENSIONS IN INCHES)

SCALE: 1/4



NOTES:

