

FLEETWOOD
WINDOWS & DOORS
FleetwoodUSA.com

NORWOOD 3070EX M/S
XO CUSTOM CONFIGURATION
WITH SCREENS

ORDER NO.:

ITEM NO.:

SCALE: 1/4

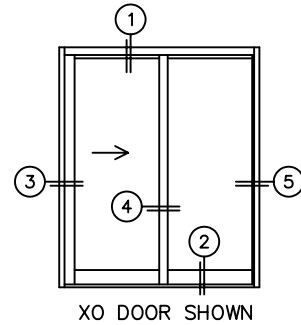
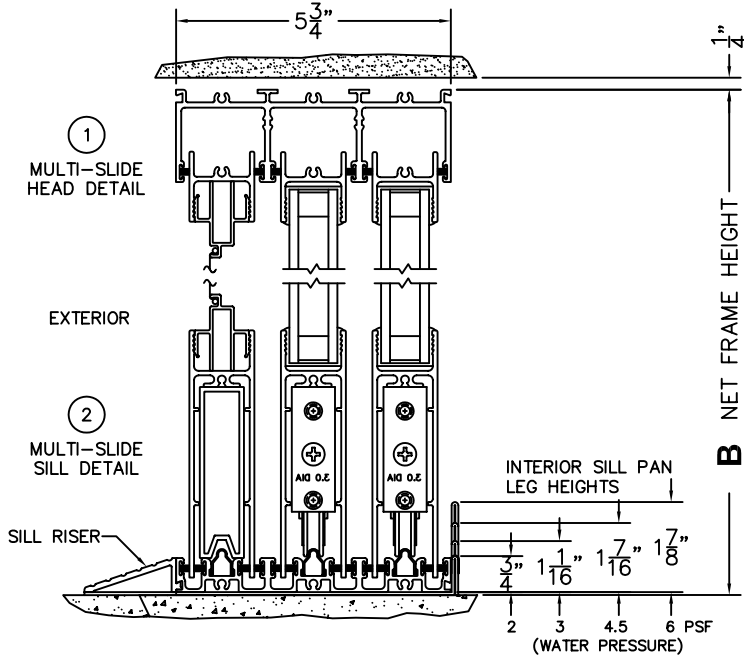
REQUIRED DEALER INFO.

A (NET FRAME WIDTH)

B (NET FRAME HEIGHT)

SILL PAN HEIGHT (INTERIOR LEG)
(3/4", 1-1/16", 1-7/16" OR 1-7/8")

NOTES:

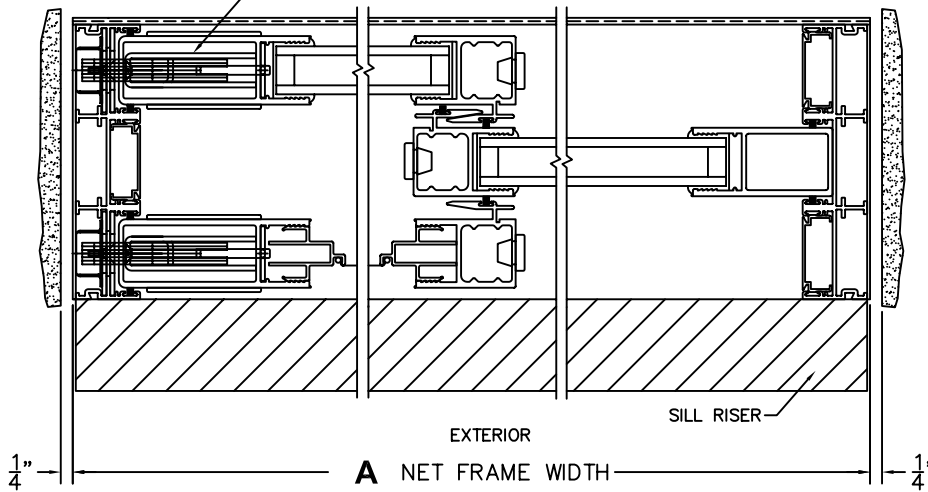


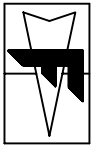
3
LOCK JAMB

4
INTERLOCKERS

5
FIXED JAMB

ARCHETYPE LATCH WITH
FLUSH PULL HANDLES





FLEETWOOD
 WINDOWS & DOORS
 FleetwoodUSA.com

NORWOOD 3070EX M/S
 XO CUSTOM CONFIGURATION
 WITH SCREENS

ORDER NO.:

ITEM NO.:

SCALE: 1/4

FLUSH STACK: DOOR IN OPEN POSITION

