

FLEETWOOD
WINDOWS & DOORS
FleetwoodUSA.com

NORWOOD 3070EX M/S
XO CUSTOM CONFIGURATION
NO SCREENS

ORDER NO.:

ITEM NO.:

SCALE: 1/4

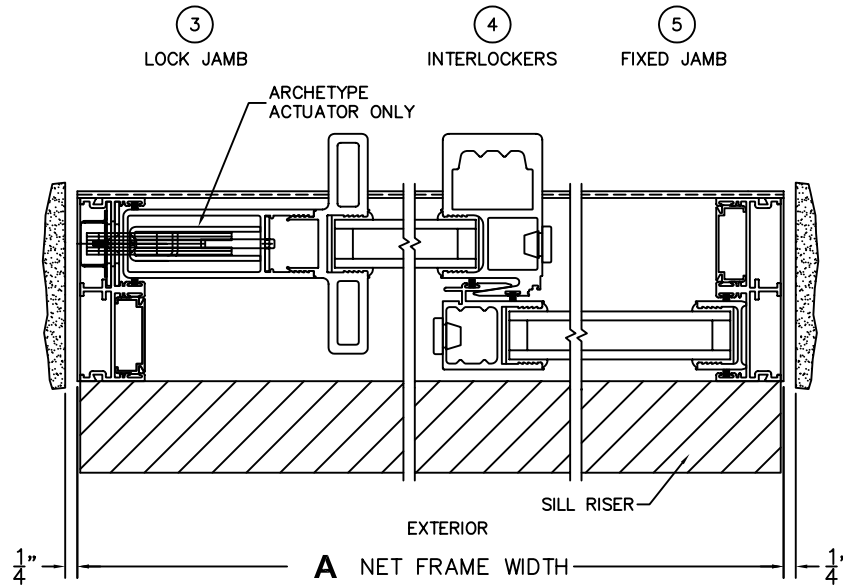
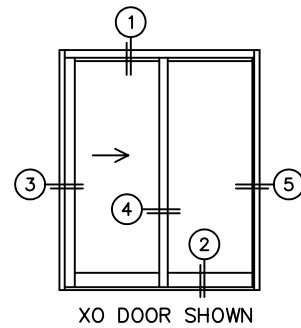
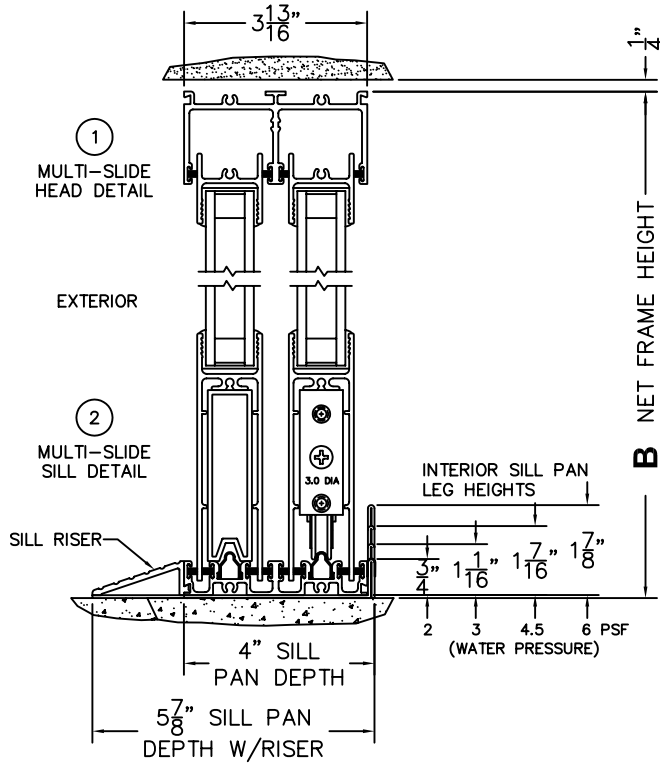
REQUIRED DEALER INFO.

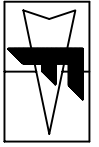
A(NET FRAME WIDTH)

B(NET FRAME HEIGHT)

SILL PAN HEIGHT(INTERIOR LEG)
(3/4", 1-1/16", 1-7/16" OR 1-7/8")

NOTES:





FLEETWOOD
 WINDOWS & DOORS
 FleetwoodUSA.com

NORWOOD 3070EX M/S
 XO CUSTOM CONFIGURATION
 NO SCREENS

ORDER NO.:

ITEM NO.:

SCALE: 1/4

NON-FLUSH STACK (EQUAL GLASS): PANELS IN OPEN POSITION

