

# FLEETWOOD

Windows & Doors

2485 Railroad Street, Corona, CA 92880  
(800) 736-7363 www.fleetwoodusa.com

# NORWOOD 3070EX M/S

XIXP CUSTOM CONFIGURATION

NO SCREEN

ORDER NO.:

ITEM NO.:

REQUIRED DEALER INFO.

**A**(DAYLIGHT WIDTH)

**B**(NET FRAME HEIGHT)

SILL PAN HEIGHT (INTERIOR LEG)  
(3/4", 1-1/16", 1-7/16" OR 1-7/8")

CALCULATED VALUES (FLEETWOOD SUPPLIED)

**C**(POCKET WIDTH)

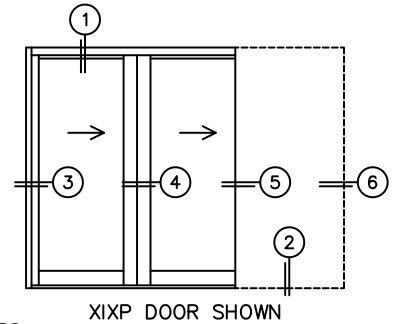
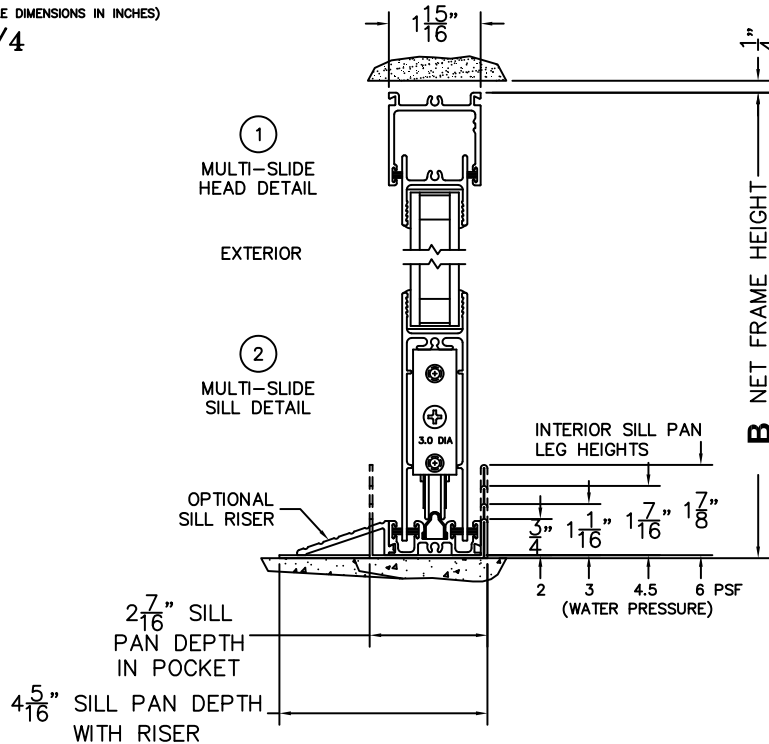
**D**(NET FRAME WIDTH)

NOTES:



(USE RULER TO SCALE DIMENSIONS IN INCHES)

SCALE: 1/4



WITH NO JAMBS, BUMPER WILL REQUIRE INSTALLATION OF STOP (BY CUSTOMER)

③ LOCK JAMB

④ MEETING STILES

⑤ POCKET INTERLOCKERS

⑥ POCKET JAMB

ARCHETYPE LATCH WITH FLUSH PULL HANDLES

OPTIONAL SILL RISER

PANELS IN OPEN POSITION STACK FLUSH WITH POCKET FACE

\*FINISHED POCKET FACE

TO SILL

**A** DAYLIGHT WIDTH

**C** POCKET WIDTH

**D** NET FRAME WIDTH

1/4"

1/4"

\* CAUTION: WHEN CONSTRUCTING POCKET NOTE THAT DAYLIGHT WIDTH DOES NOT INCLUDE 1" SET BACK FOR POST INTERLOCKER.

NOTE: THIS DRAWING AND THE ACCOMPANYING "OPTIONS AND UPGRADES" ARE FOR CONCEPT ONLY! AT THE TIME OF ORDER WE WILL CUSTOMIZE THE DRAWINGS TO FIT THE FINAL CONFIGURATION. SEE DRAWINGS 3070-07 THRU 3070-08 FOR ADDITIONAL INFORMATION.