

FLEETWOOD
WINDOWS & DOORS
FleetwoodUSA.com

NORWOOD 3070EX M/S
XIXP CUSTOM CONFIGURATION
NO SCREEN

ORDER NO.:

ITEM NO.:

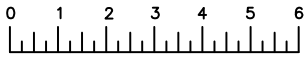
REQUIRED DEALER INFO.

A (DAYLIGHT WIDTH)	
B (NET FRAME HEIGHT)	
SILL PAN HEIGHT (INTERIOR LEG) (3/4", 1-1/16", 1-7/16" OR 1-7/8")	

CALCULATED VALUES (FLEETWOOD SUPPLIED)

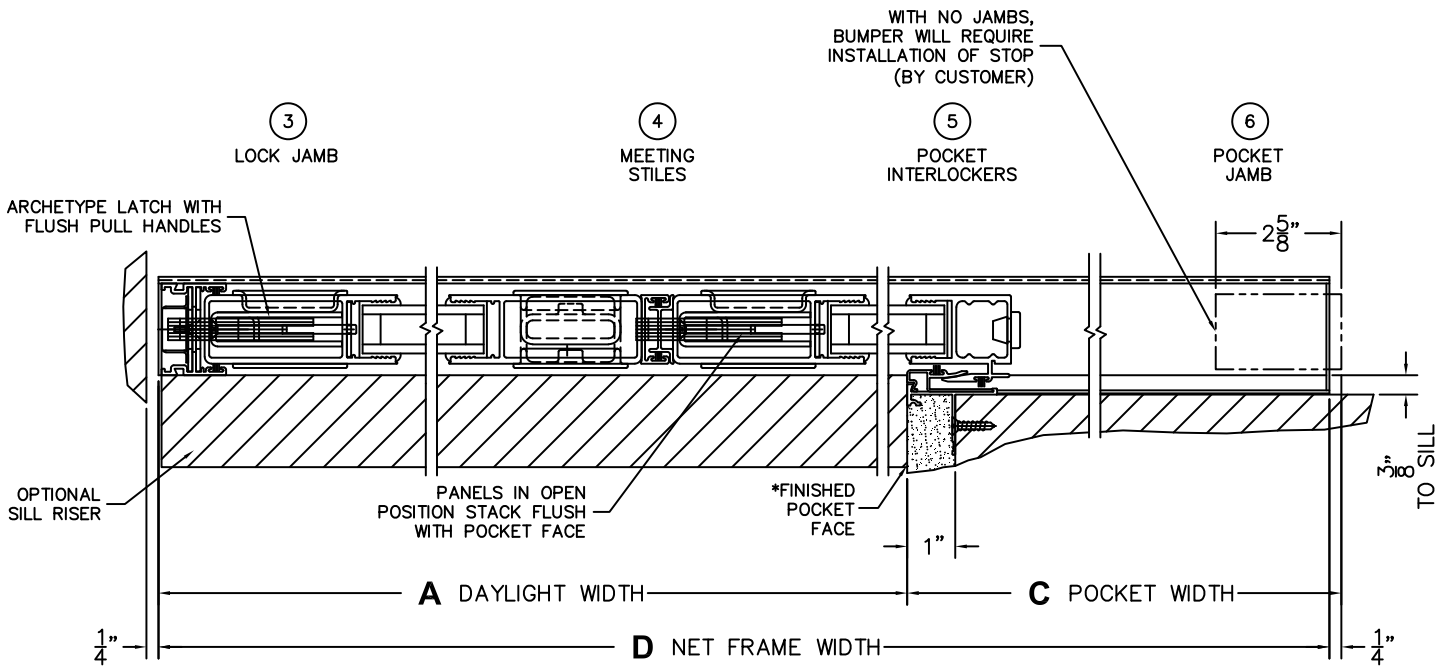
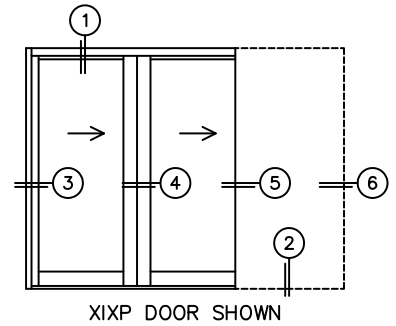
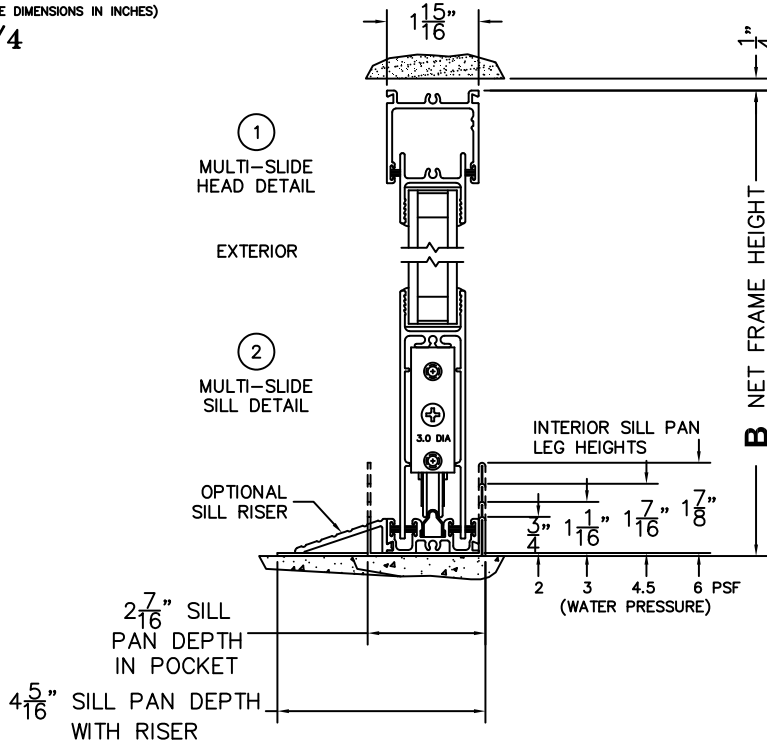
C (POCKET WIDTH)	
D (NET FRAME WIDTH)	

NOTES:



(USE RULER TO SCALE DIMENSIONS IN INCHES)

SCALE: 1/4



*CAUTION: WHEN CONSTRUCTING POCKET NOTE THAT DAYLIGHT WIDTH DOES NOT INCLUDE 1" SET BACK FOR POST INTERLOCKER.