

**FLEETWOOD**  
 Windows & Doors  
 2485 Railroad Street, Corona, CA 92880  
 (800) 736-7363 www.fleetwoodusa.com

**NORWOOD 3070EX M/S**  
 XIXP STANDARD CONFIGURATION  
 NO SCREEN

ORDER NO.:

ITEM NO.:

REQUIRED DEALER INFO.

**A**(DAYLIGHT WIDTH)

**B**(NET FRAME HEIGHT)

SILL PAN HEIGHT (INTERIOR LEG)  
 (3/4", 1-1/16", 1-7/16" OR 1-7/8")

CALCULATED VALUES (FLEETWOOD SUPPLIED)

**C**(POCKET WIDTH)

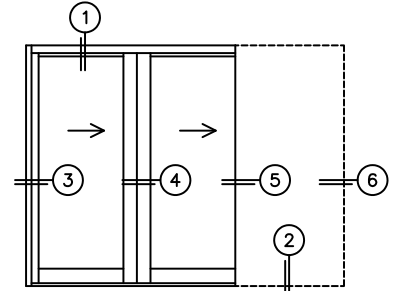
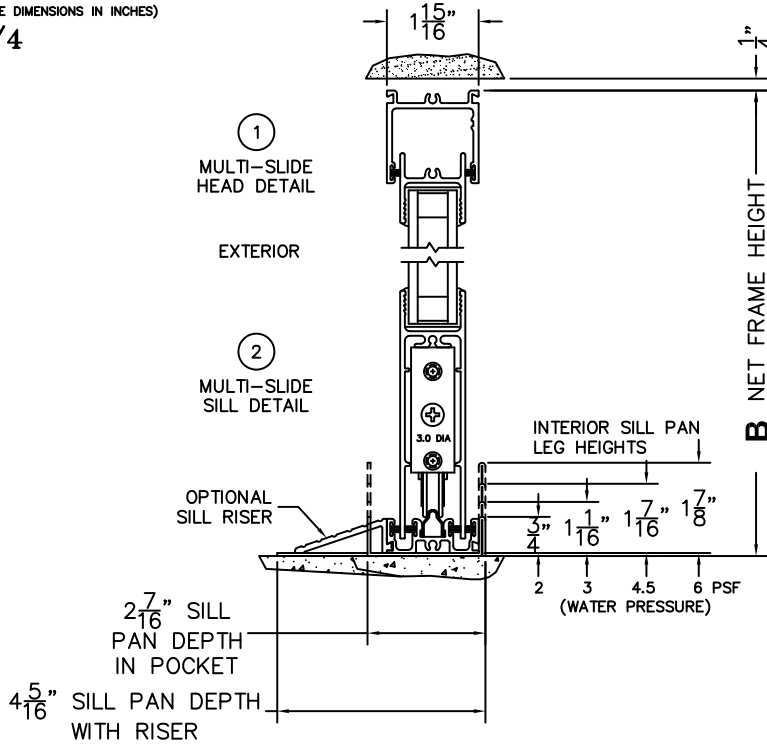
**D**(NET FRAME WIDTH)

NOTES:

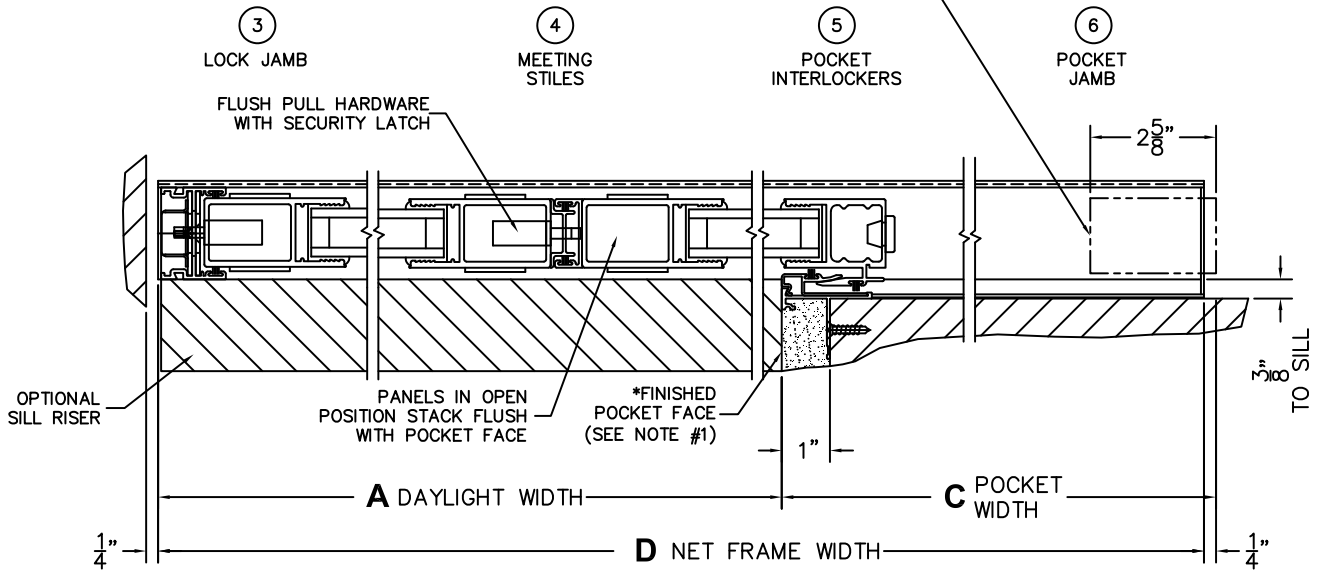


(USE RULER TO SCALE DIMENSIONS IN INCHES)

SCALE: 1/4



WITH NO JAMBS,  
 BUMPER WILL REQUIRE  
 INSTALLATION OF STOP  
 (BY CUSTOMER)



\*NOTES:

1) WHEN CONSTRUCTING POCKET NOTE THAT DAYLIGHT WIDTH DOES NOT INCLUDE 1" SET BACK FOR POST INTERLOCKER.

NOTE: THIS DRAWING AND THE ACCOMPANYING "OPTIONS AND UPGRADES" ARE FOR CONCEPT ONLY! AT THE TIME OF ORDER WE WILL CUSTOMIZE THE DRAWINGS TO FIT THE FINAL CONFIGURATION. SEE DRAWINGS 3070-07 THRU 3070-08 FOR ADDITIONAL INFORMATION.