



**FLEETWOOD**  
WINDOWS & DOORS  
FleetwoodUSA.com

**NORWOOD 3070EX M/S**  
PXXXXXIXP CUSTOM CONFIGURATION  
NO SCREENS

ORDER NO.:

ITEM NO.:

REQUIRED DEALER INFO.

**A**(DAYLIGHT WIDTH)

**B**(NET FRAME HEIGHT)

SILL PAN HEIGHT(INTEIOR LEG)  
(3/4", 1-1/16", 1-7/16" OR 1-7/8")

CALCULATED VALUES (FLEETWOOD SUPPLIED)

**C**(POCKET WIDTH)

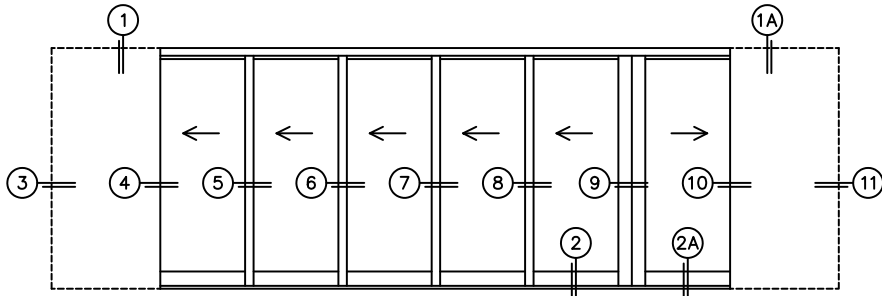
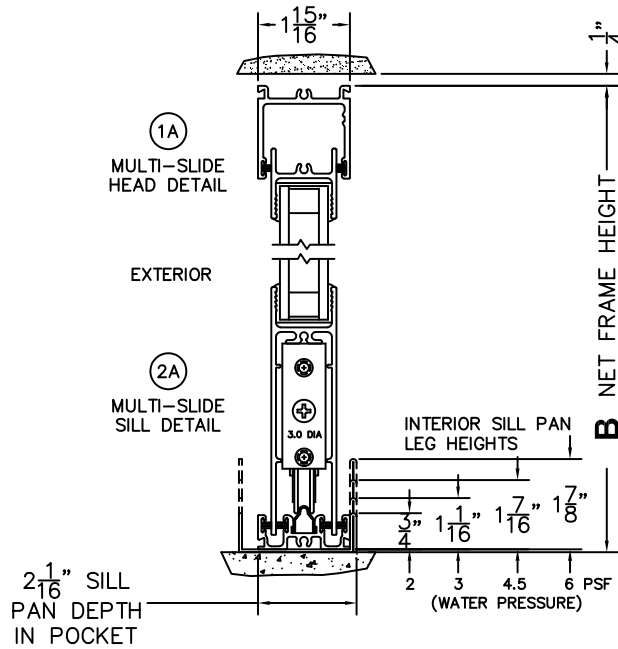
**D**(NET FRAME WIDTH)

NOTES:

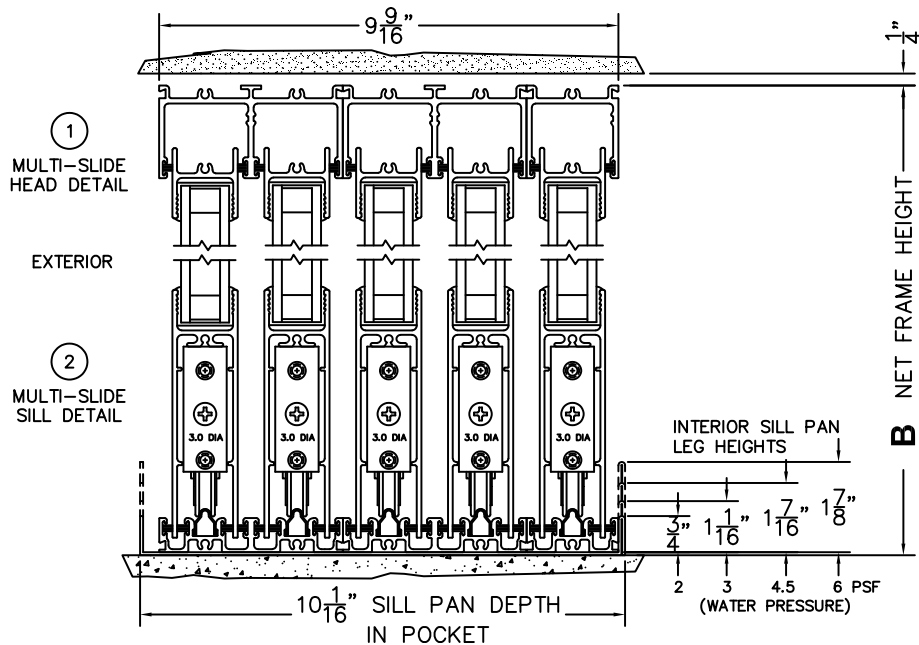


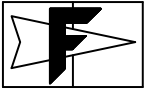
(USE RULER TO SCALE DIMENSIONS IN INCHES)

SCALE: 1/4



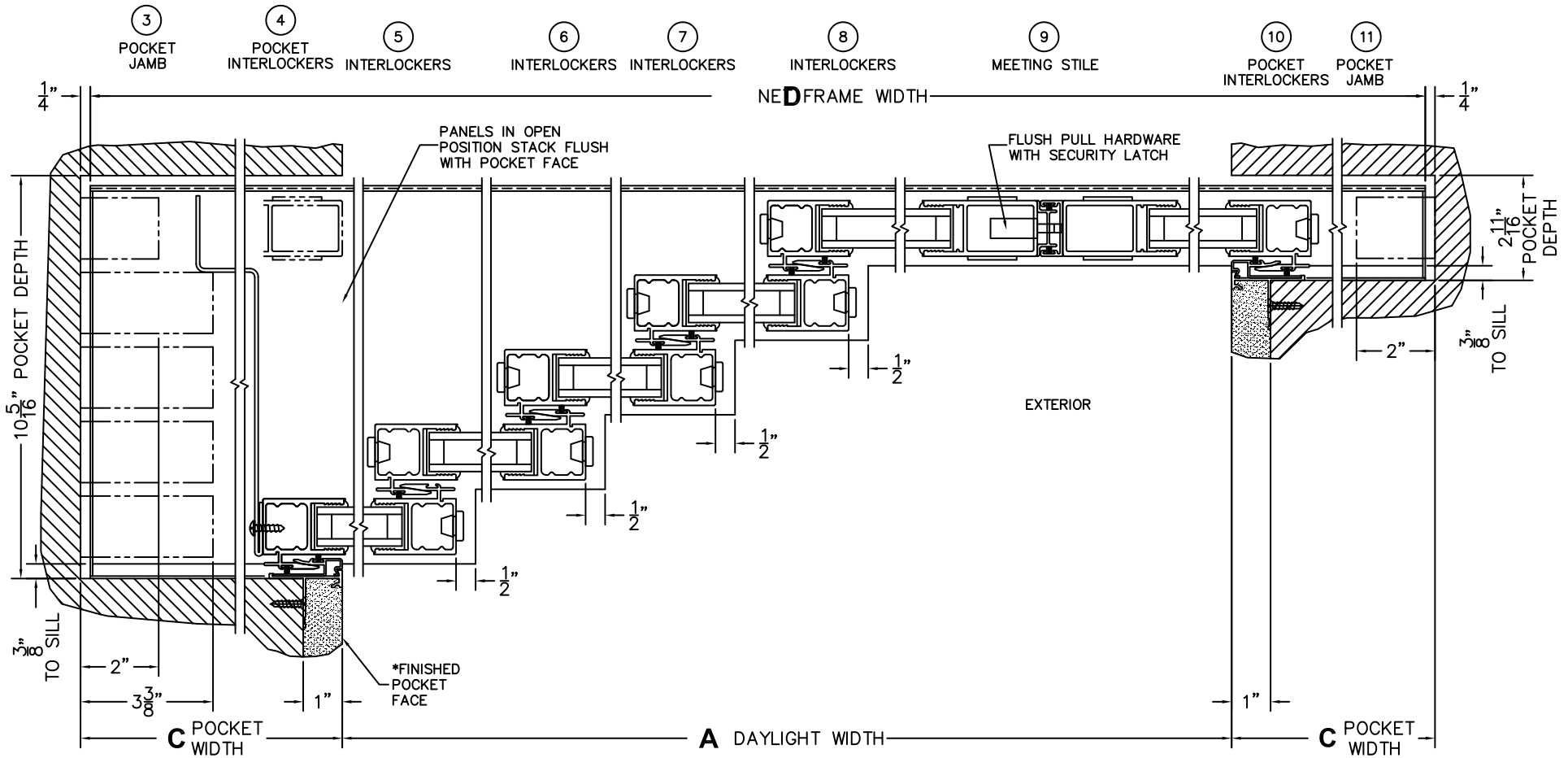
PXXXXXIXP DOOR SHOWN





(USE RULER TO SCALE DIMENSIONS IN INCHES)

**SCALE: 1/4**



\*CAUTION: WHEN CONSTRUCTING POCKET NOTE THAT DAYLIGHT WIDTH DOES NOT INCLUDE 1" SET BACK FOR POST INTERLOCKER.