

FLEETWOOD
WINDOWS & DOORS
FleetwoodUSA.com

NORWOOD 3070EX M/S
PXXX CUSTOM CONFIGURATION
NO SCREENS

ORDER NO.:

ITEM NO.:

REQUIRED DEALER INFO.

A(DAYLIGHT WIDTH)

B(NET FRAME HEIGHT)

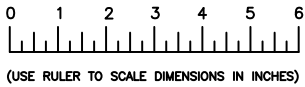
SILL PAN HEIGHT(INTERIOR LEG)
(1-3/4", 2", 2-1/2")

CALCULATED VALUES (FLEETWOOD SUPPLIED)

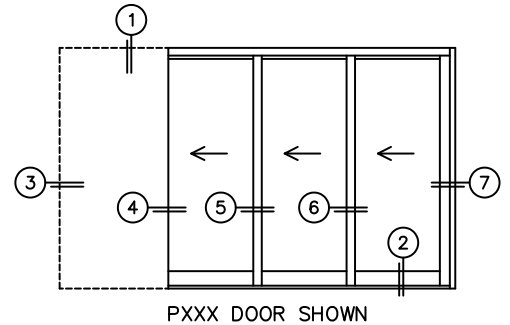
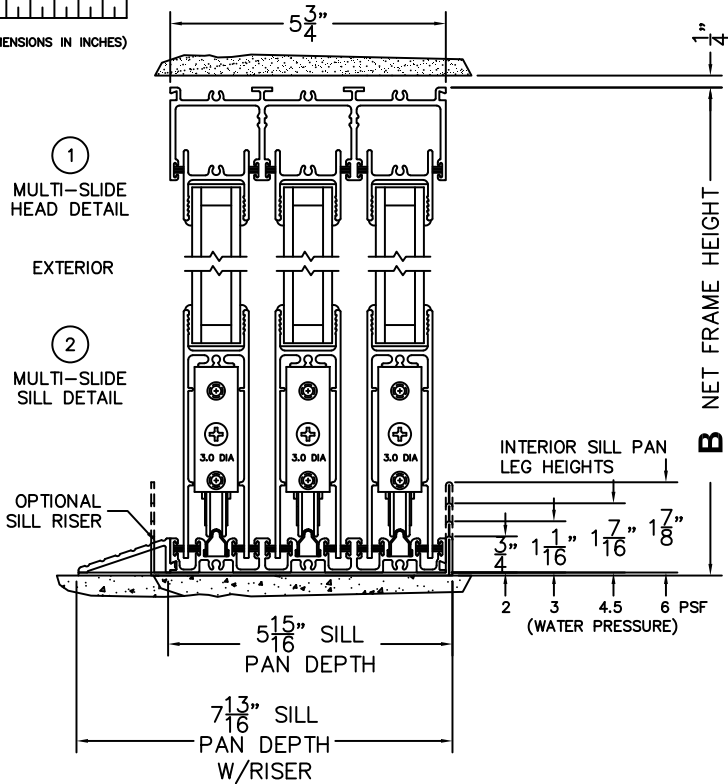
C(POCKET WIDTH)

D(NET FRAME WIDTH)

NOTES:



SCALE: 1/4



- ③
POCKET
JAMB
- ④
POCKET
INTERLOCKERS
- ⑤
INTERLOCKERS
- ⑥
INTERLOCKERS
- ⑦
LOCK JAMB

