

**FLEETWOOD**  
WINDOWS & DOORS  
FleetwoodUSA.com

**NORWOOD 3070EX M/S**  
PXXIXXP CUSTOM CONFIGURATION  
WITH SCREENS

ORDER NO.:

ITEM NO.:

SCALE: 1/4

REQUIRED DEALER INFO.

**A**(DAYLIGHT WIDTH)

**B**(NET FRAME HEIGHT)

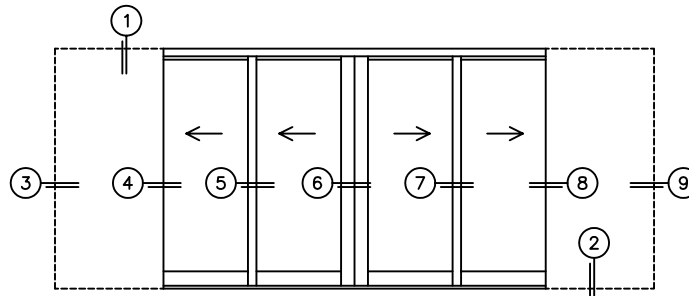
SILL PAN HEIGHT(INTERIOR LEG)  
(3/4", 1-1/16", 1-7/16" OR 1-7/8")

CALCULATED VALUES (FLEETWOOD SUPPLIED)

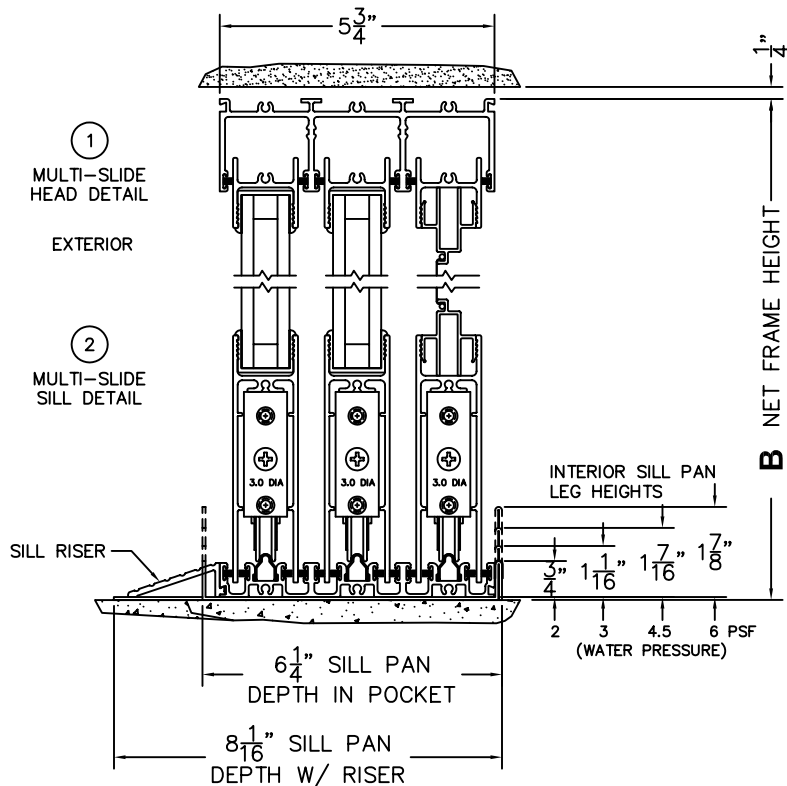
**C**(POCKET WIDTH)

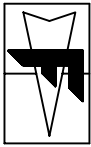
**D**(NET FRAME WIDTH)

NOTES:



PXXIXXP DOOR SHOWN





**FLEETWOOD**  
WINDOWS & DOORS  
FleetwoodUSA.com

**NORWOOD 3070EX M/S**  
PXXIXP CUSTOM CONFIGURATION  
WITH SCREENS

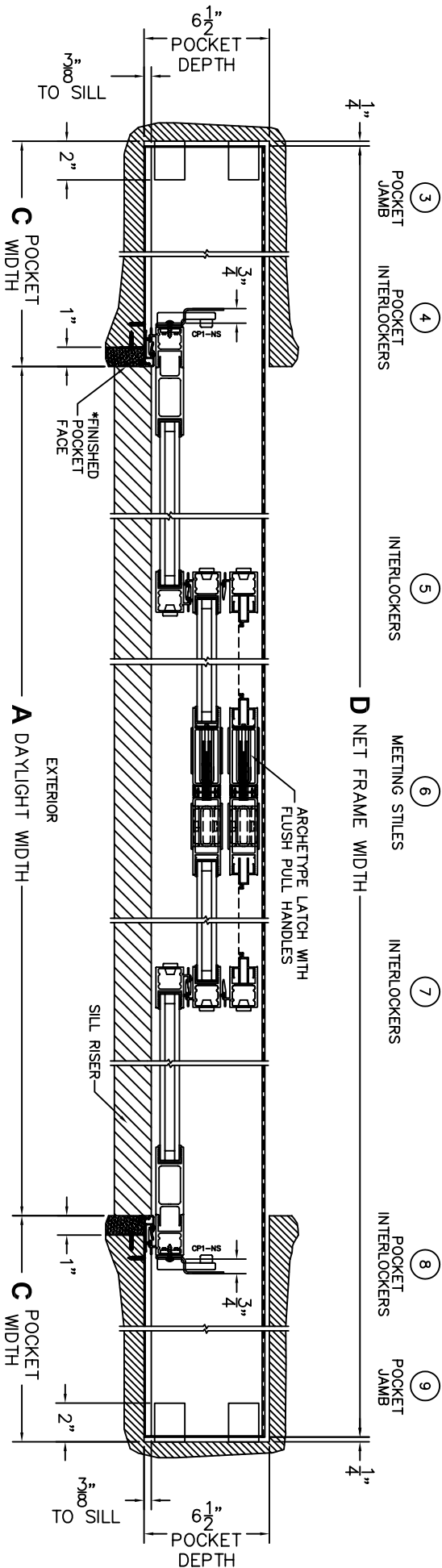
ORDER NO.:

ITEM NO.:

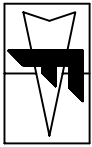
SCALE: 1/8

**DOOR COLLECTOR B.O.M.**

FW PART NO.	QTY.
1063-1	2
1064-2	2
SCREW SIZES / LENGTHS	
#4-40 X 5/16"	4
#10-32 X 1-1/8"	4



\*CAUTION: WHEN CONSTRUCTING POCKET NOTE THAT DAYLIGHT WIDTH DOES NOT INCLUDE 1" SET BACK FOR POST INTERLOCKER.



**FLEETWOOD**  
 WINDOWS & DOORS  
 FleetwoodUSA.com

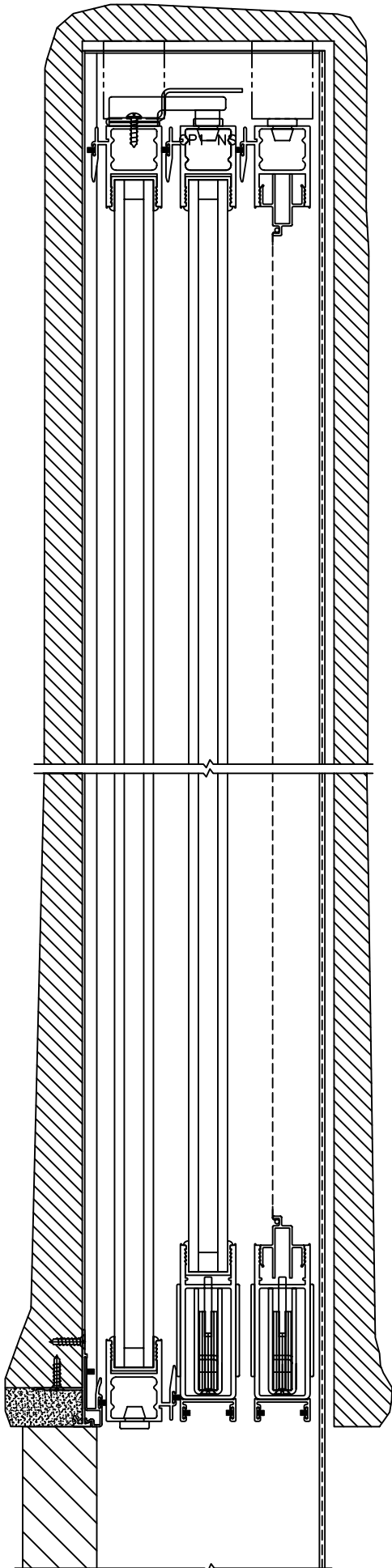
**NORWOOD 3070EX M/S**  
 PXXIXP CUSTOM CONFIGURATION  
 WITH SCREENS

ORDER NO.:

ITEM NO.:

SCALE: 1/4

POCKET VIEWS: PANELS IN OPEN POSITION  
 (LEFT SIDE)



(RIGHT SIDE)

