

NORWOOD 3070EX M/S

PXXIXXP CUSTOM CONFIGURATION
NO SCREENS

ORDER NO.:

ITEM NO.:

REQUIRED DEALER INFO.

A(DAYLIGHT WIDTH)

B(NET FRAME HEIGHT)

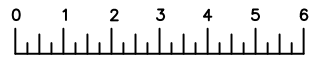
SILL PAN HEIGHT(INTERIOR LEG)
(3/4", 1-1/16", 1-7/16" OR 1-7/8")

CALCULATED VALUES (FLEETWOOD SUPPLIED)

C(POCKET WIDTH)

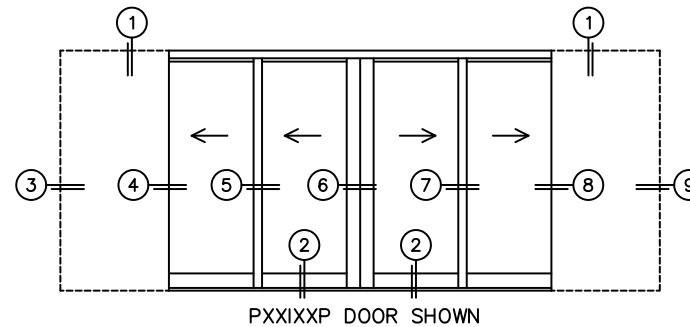
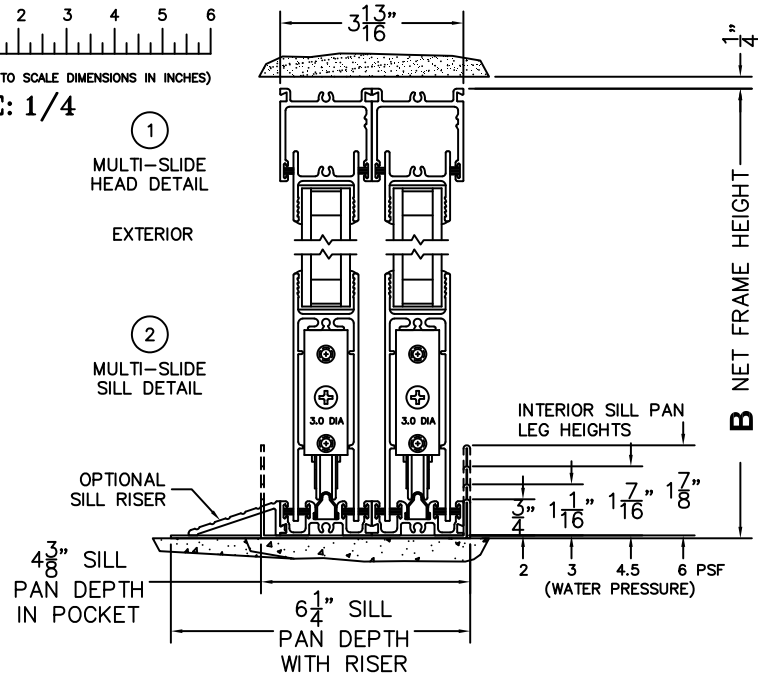
D(NET FRAME WIDTH)

NOTES:



(USE RULER TO SCALE DIMENSIONS IN INCHES)

SCALE: 1/4



*CAUTION: WHEN CONSTRUCTING POCKET NOTE THAT DAYLIGHT WIDTH DOES NOT INCLUDE 1" SET BACK FOR POST INTERLOCKER.

