

FLEETWOOD
WINDOWS & DOORS
FleetwoodUSA.com

NORWOOD 3070EX M/S

PXXIXXP CUSTOM CONFIGURATION
NO SCREENS

ORDER NO.:

ITEM NO.:

REQUIRED DEALER INFO.

A(DAYLIGHT WIDTH)

B(NET FRAME HEIGHT)

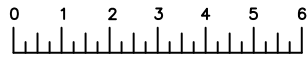
SILL PAN HEIGHT(INTERIOR LEG)
(3/4", 1-1/16", 1-7/16" OR 1-7/8")

CALCULATED VALUES (FLEETWOOD SUPPLIED)

C(POCKET WIDTH)

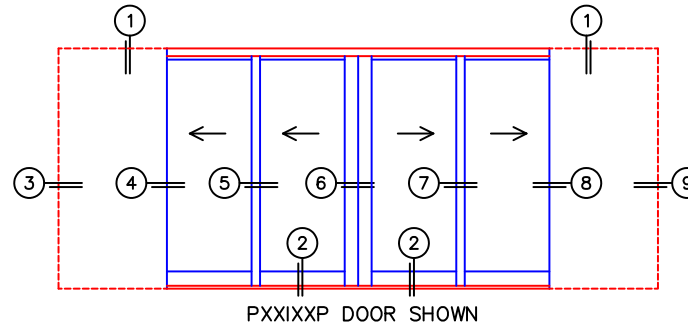
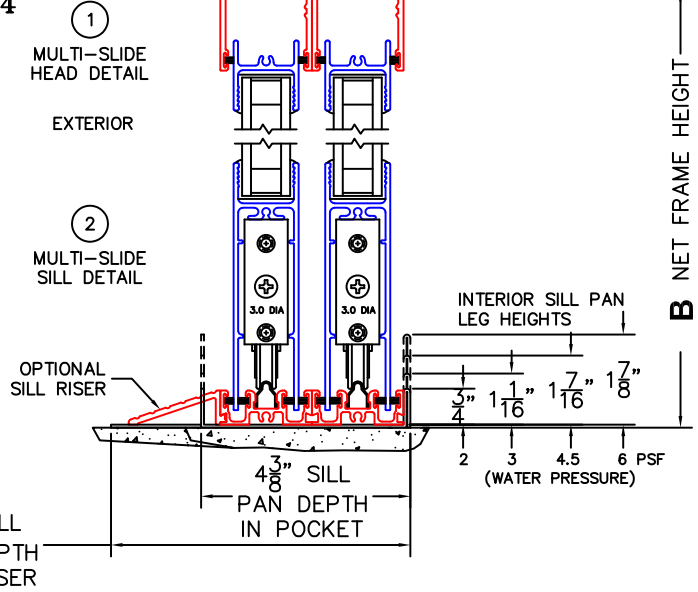
D(NET FRAME WIDTH)

NOTES:



(USE RULER TO SCALE DIMENSIONS IN INCHES)

SCALE: 1/4"



- ③
POCKET JAMB
- ④
POCKET INTERLOCKERS
- ⑤
INTERLOCKERS
- ⑥
MEETING STILES
- ⑦
INTERLOCKERS
- ⑧
POCKET INTERLOCKERS
- ⑨
POCKET JAMB

