

FLEETWOOD
WINDOWS & DOORS
FleetwoodUSA.com

NORWOOD 3070EX M/S

PXXIXP CUSTOM CONFIGURATION
NO SCREENS

ORDER NO.:

ITEM NO.:

REQUIRED DEALER INFO.

A(DAYLIGHT WIDTH)

B(NET FRAME HEIGHT)

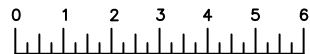
SILL PAN HEIGHT(INTERIOR LEG)
(3/4", 1-1/16", 1-7/16" OR 1-7/8")

CALCULATED VALUES (FLEETWOOD SUPPLIED)

C(POCKET WIDTH)

D(NET FRAME WIDTH)

NOTES:



(USE RULER TO SCALE DIMENSIONS IN INCHES)

SCALE: 1/4

1
MULTI-SLIDE
HEAD DETAIL

EXTERIOR

2
MULTI-SLIDE
SILL DETAIL

OPTIONAL
SILL RISER

4 3/8" SILL
PAN DEPTH
IN POCKET

6 1/4" SILL
PAN DEPTH
WITH RISER

3
POCKET
JAMB

4
POCKET
INTERLOCKERS

5
INTERLOCKERS

6
MEETING STILES

7
INTERLOCKERS

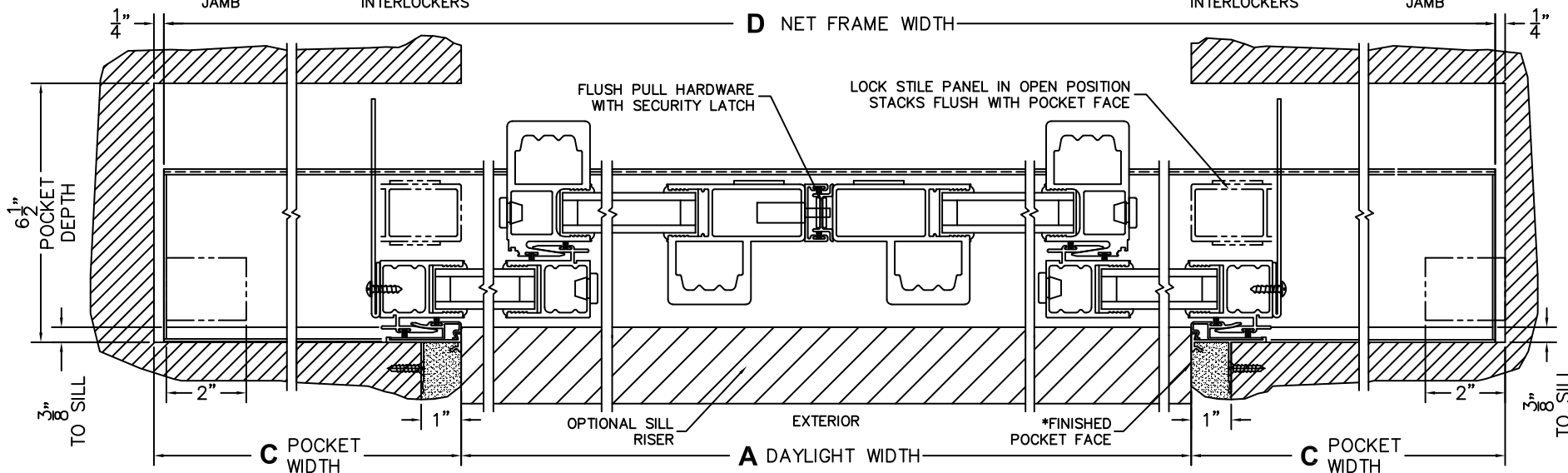
8
POCKET
INTERLOCKERS

9
POCKET
JAMB

D NET FRAME WIDTH

FLUSH PULL HARDWARE
WITH SECURITY LATCH

LOCK STILE PANEL IN OPEN POSITION
STACKS FLUSH WITH POCKET FACE



PXXIXP DOOR SHOWN

*CAUTION: WHEN CONSTRUCTING POCKET NOTE THAT DAYLIGHT WIDTH DOES NOT INCLUDE 1" SET BACK FOR POST INTERLOCKER.