

# NORWOOD 3070EX M/S

PXXIXP STANDARD CONFIGURATION  
NO SCREENS

ORDER NO.:

ITEM NO.:

REQUIRED DEALER INFO.

**A**(DAYLIGHT WIDTH)

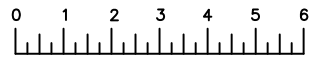
**B**(NET FRAME HEIGHT)

SILL PAN HEIGHT(INTERIOR LEG)  
(3/4", 1-1/16", 1-7/16" OR 1-7/8")

CALCULATED VALUES (FLEETWOOD SUPPLIED)

**C**(POCKET WIDTH)

**D**(NET FRAME WIDTH)



(USE RULER TO SCALE DIMENSIONS IN INCHES)

SCALE: 1/4"

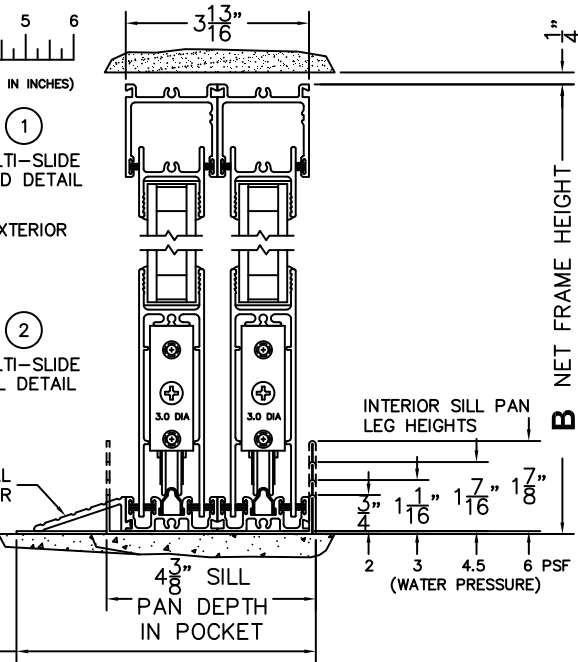
①  
MULTI-SLIDE  
HEAD DETAIL

EXTERIOR

②  
MULTI-SLIDE  
SILL DETAIL

OPTIONAL  
SILL RISER

6 1/4" SILL  
PAN DEPTH  
WITH RISER

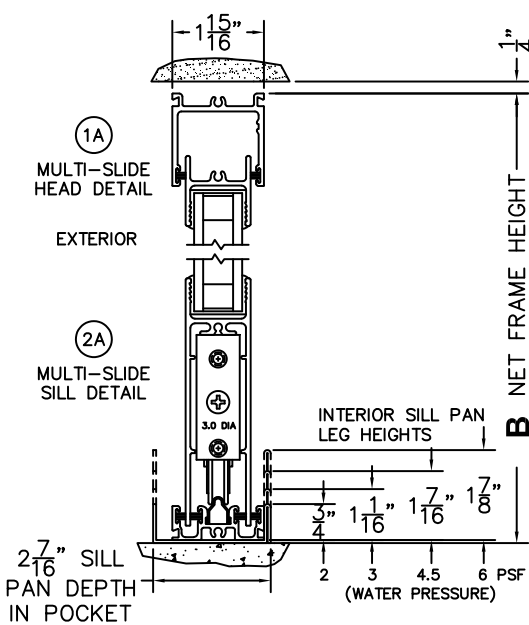


①A  
MULTI-SLIDE  
HEAD DETAIL

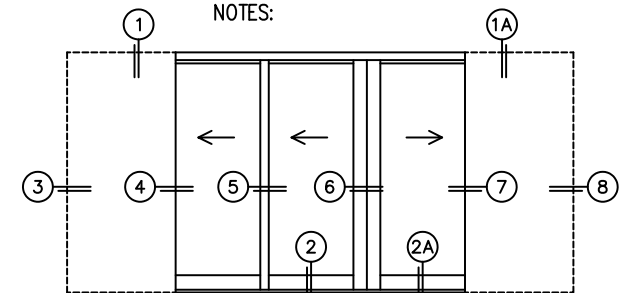
EXTERIOR

②A  
MULTI-SLIDE  
SILL DETAIL

2 7/16" SILL  
PAN DEPTH  
IN POCKET



NOTES:



PXXIXP DOOR SHOWN

③  
POCKET  
JAMB

④  
POCKET  
INTERLOCKERS

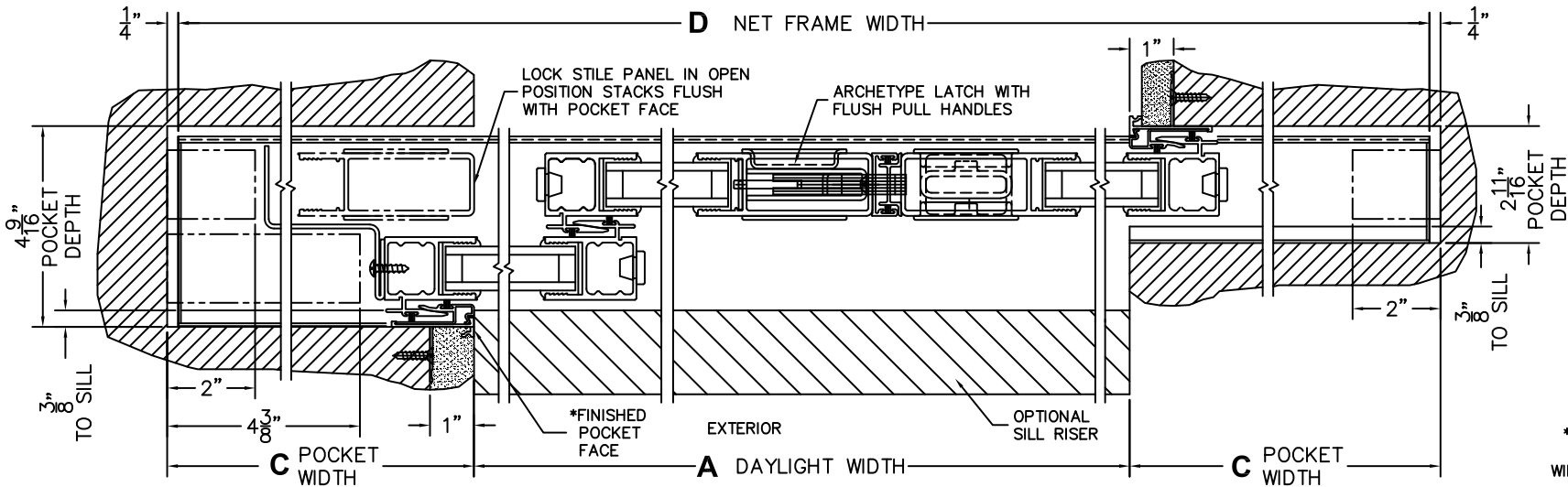
⑤  
INTERLOCKERS

⑥  
MEETING STILES

⑦  
POCKET  
INTERLOCKERS

⑧  
POCKET  
JAMB

**D** NET FRAME WIDTH



4 9/16" POCKET DEPTH  
3 1/8" TO SILL

**C** POCKET WIDTH

EXTERIOR

**A** DAYLIGHT WIDTH

OPTIONAL  
SILL RISER

**C** POCKET WIDTH

2 11/16" POCKET DEPTH  
3 1/8" TO SILL

\*CAUTION: WHEN CONSTRUCTING POCKET NOTE THAT DAYLIGHT WIDTH DOES NOT INCLUDE 1" SET BACK FOR POST INTERLOCKER.