



FLEETWOOD
WINDOWS & DOORS
FleetwoodUSA.com

NORWOOD 3070EX M/S
PXIXP CUSTOM CONFIGURATION
WITH SCREENS

ORDER NO.:

ITEM NO.:

SCALE: 1/4

REQUIRED DEALER INFO.

A(DAYLIGHT WIDTH)

B(NET FRAME HEIGHT)

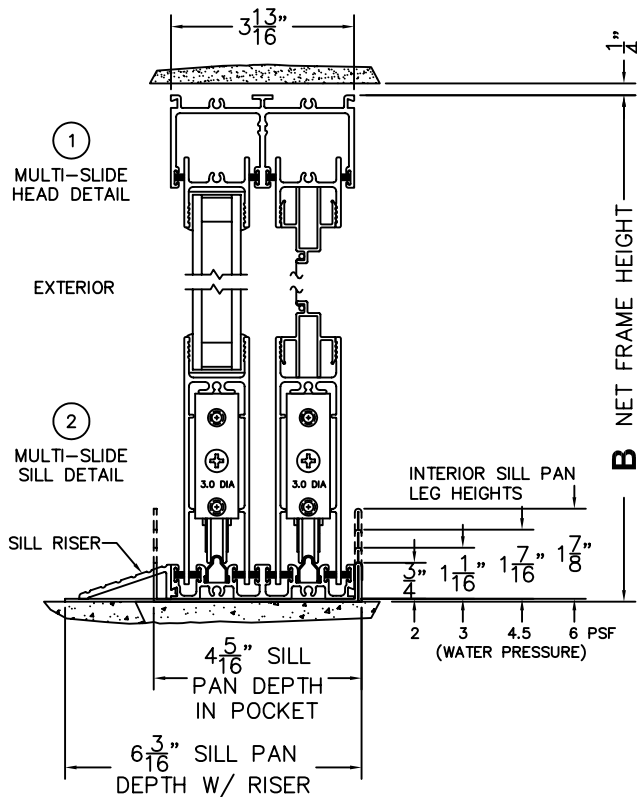
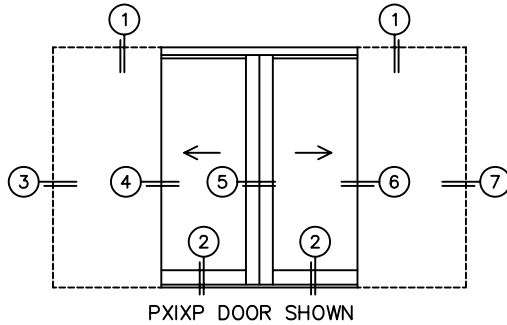
SILL PAN HEIGHT(INTERIOR LEG)
(3/4", 1-1/16", 1-7/16" OR 1-7/8")

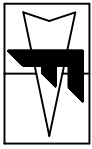
CALCULATED VALUES (FLEETWOOD SUPPLIED)

C(POCKET WIDTH)

D(NET FRAME WIDTH)

NOTES:





FLEETWOOD
 WINDOWS & DOORS
 FleetwoodUSA.com

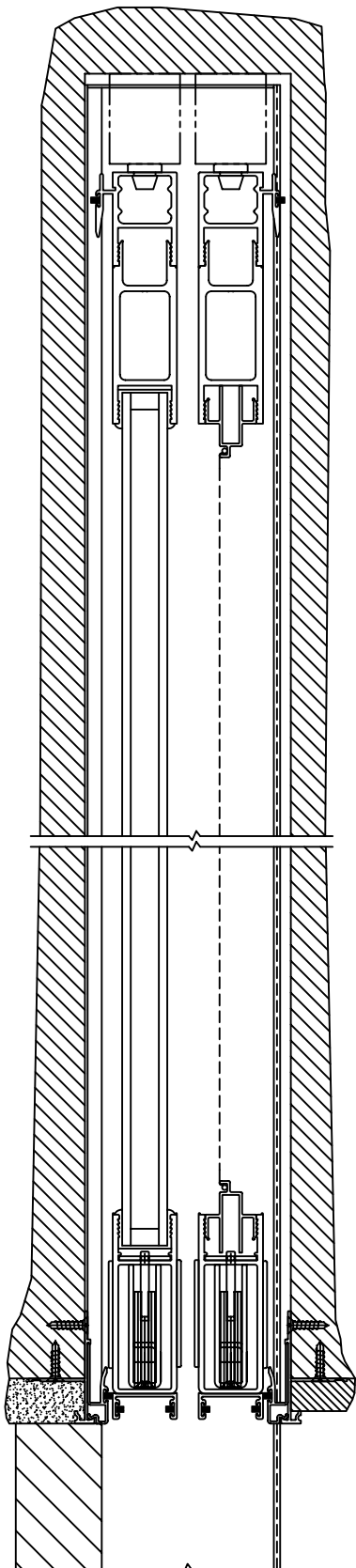
NORWOOD 3070EX M/S
 PXIXP CUSTOM CONFIGURATION
 WITH SCREENS

ORDER NO.:

ITEM NO.:

SCALE: 1/4

POCKET VIEWS: PANELS IN OPEN POSITION
 (LEFT SIDE)



(RIGHT SIDE)

