

FLEETWOOD
WINDOWS & DOORS
FleetwoodUSA.com

NORWOOD 3070EX M/S
PXIXIXIO CUSTOM CONFIGURATION
NO SCREENS

ORDER NO.:

ITEM NO.:

SCALE: 1/4

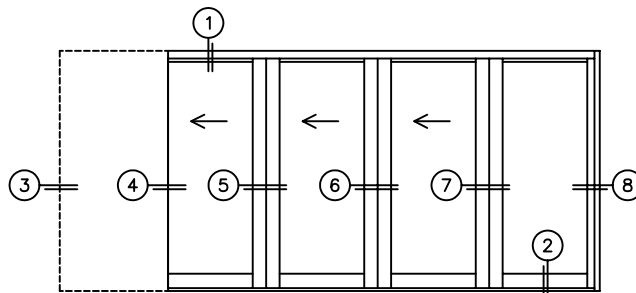
REQUIRED DEALER INFO.

A (DAYLIGHT WIDTH)	
B (NET FRAME HEIGHT)	
SILL PAN HEIGHT(INTERIOR LEG) (3/4", 1-1/16", 1-7/16" OR 1-7/8")	

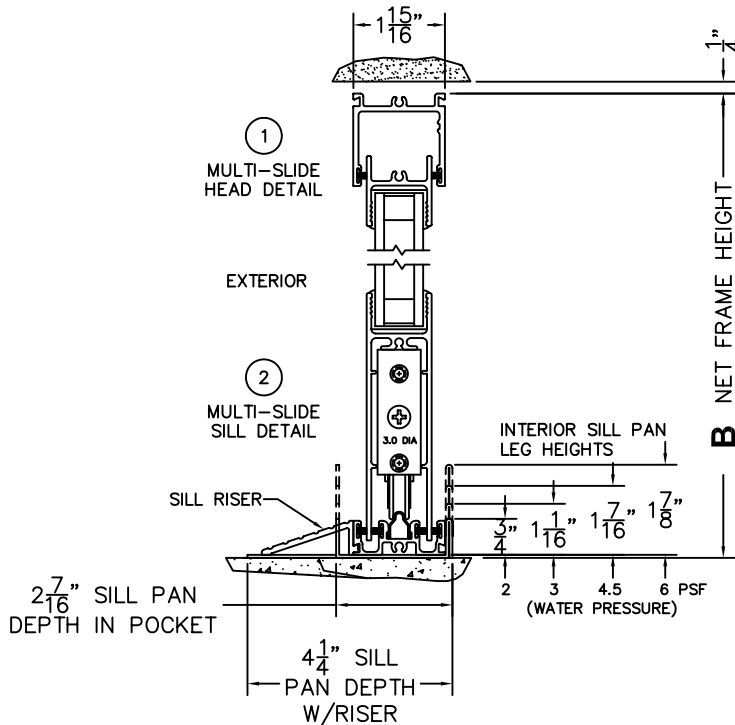
CALCULATED VALUES (FLEETWOOD SUPPLIED)

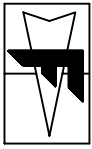
C (POCKET WIDTH)	
D (NET FRAME WIDTH)	

NOTES:



PXIXIXIO DOOR SHOWN





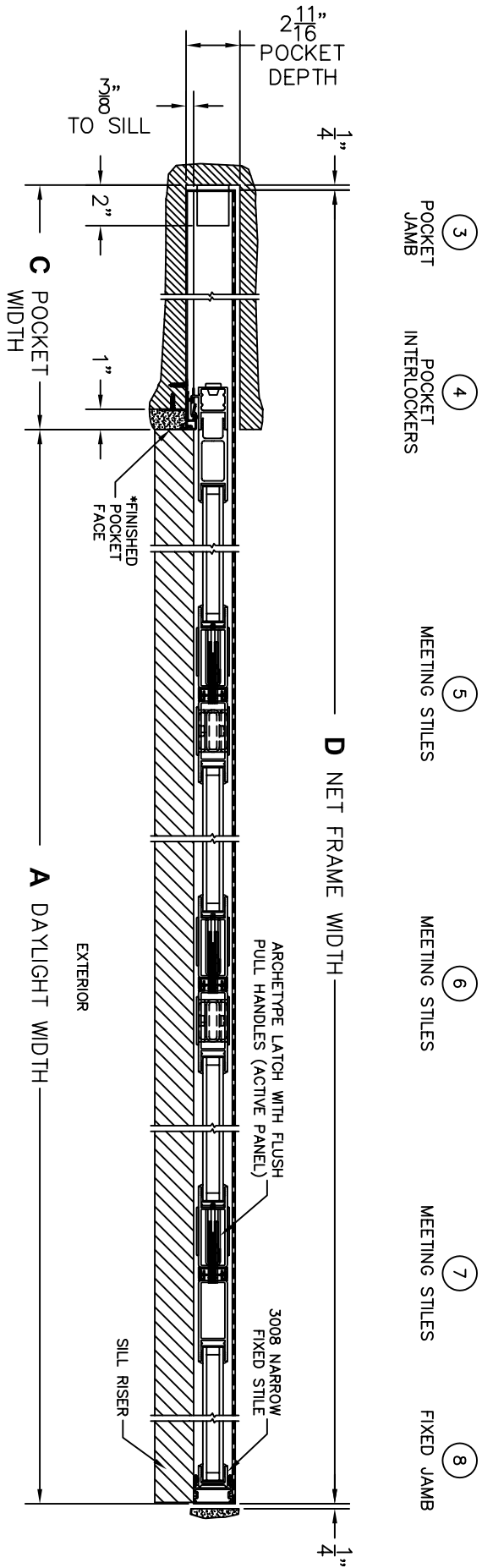
FLEETWOOD
 WINDOWS & DOORS
 FleetwoodUSA.com

NORWOOD 3070EX M/S
 PYLIXIO CUSTOM CONFIGURATION
 NO SCREENS

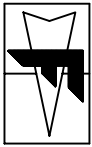
ORDER NO.:

ITEM NO.:

SCALE: 1/8



*CAUTION: WHEN CONSTRUCTING POCKET NOTE THAT DAYLIGHT WIDTH DOES NOT INCLUDE 1" SET BACK FOR POST INTERLOCKER.



FLEETWOOD
WINDOWS & DOORS
FleetwoodUSA.com

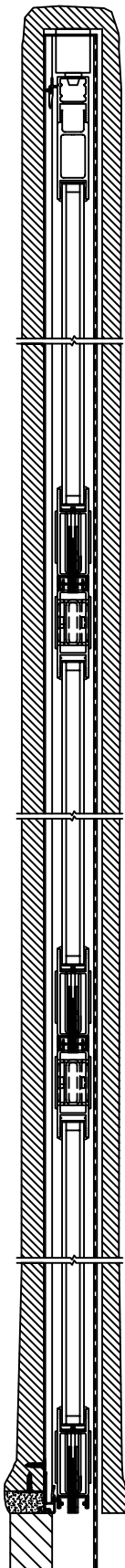
NORWOOD 3070EX M/S
PYIXIXIO CUSTOM CONFIGURATION
NO SCREENS

ORDER NO.:

ITEM NO.:

SCALE: 1/8

POCKET VIEW: PANELS IN OPEN POSITION



DWG NO.: 3070-EX-PANMO-NSO-IS-MS-STI-HF-DN-AM-PE3-PAN-P12

SHEET: 3 OF 3

CUSTOMER
SIGNATURE

DATE: