



FLEETWOOD
WINDOWS & DOORS
FleetwoodUSA.com

NORWOOD 3070EX M/S
PX CUSTOM CONFIGURATION
NO SCREENS

ORDER NO.:

ITEM NO.:

SCALE: 1/4

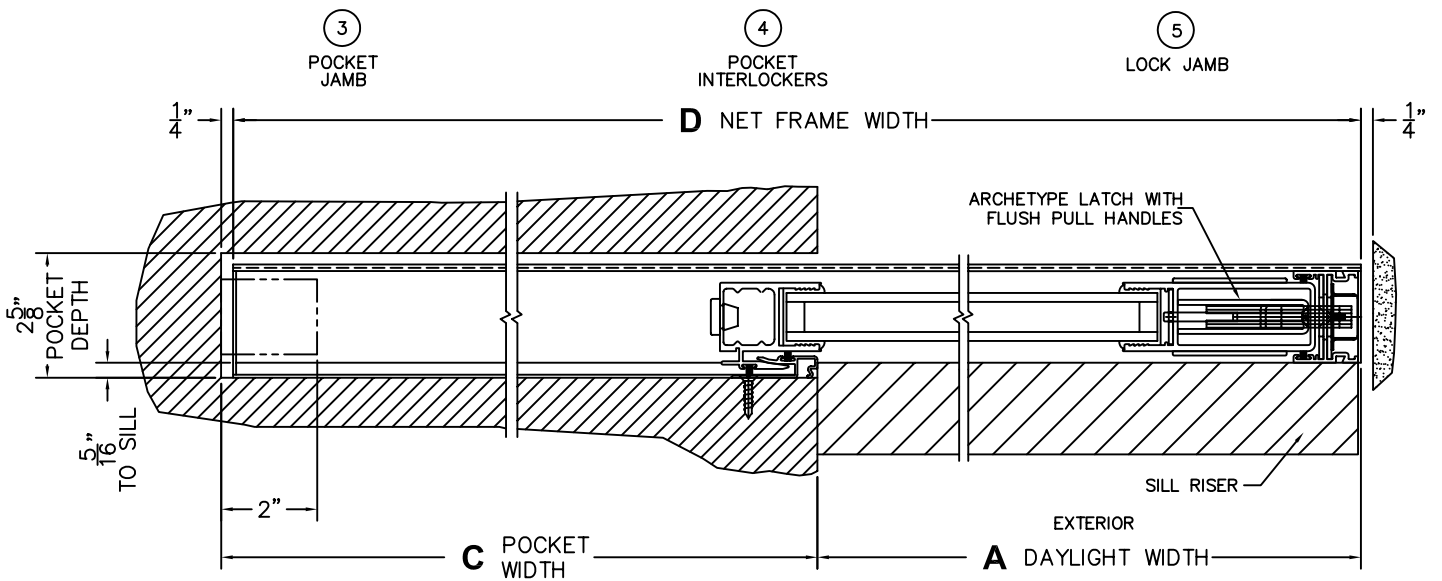
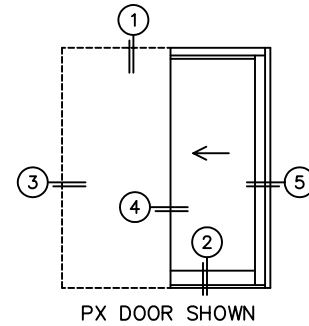
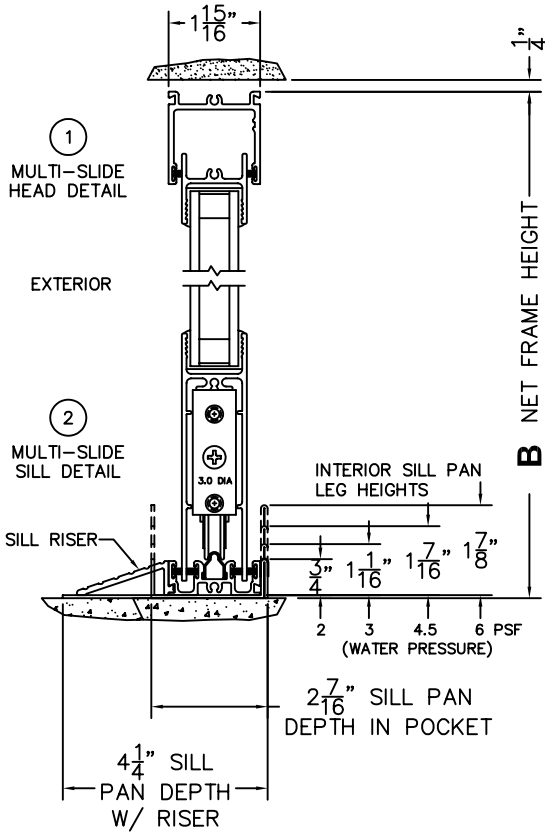
REQUIRED DEALER INFO.

| | |
|---|--|
| A (DAYLIGHT WIDTH) | |
| B (NET FRAME HEIGHT) | |
| SILL PAN HEIGHT(INTERIOR LEG) (3/4", 1-1/16", 1-7/16" OR 1-7/8") | |

CALCULATED VALUES (FLEETWOOD SUPPLIED)

| | |
|----------------------------|--|
| C (POCKET WIDTH) | |
| D (NET FRAME WIDTH) | |

NOTES:





FLEETWOOD
WINDOWS & DOORS
FleetwoodUSA.com

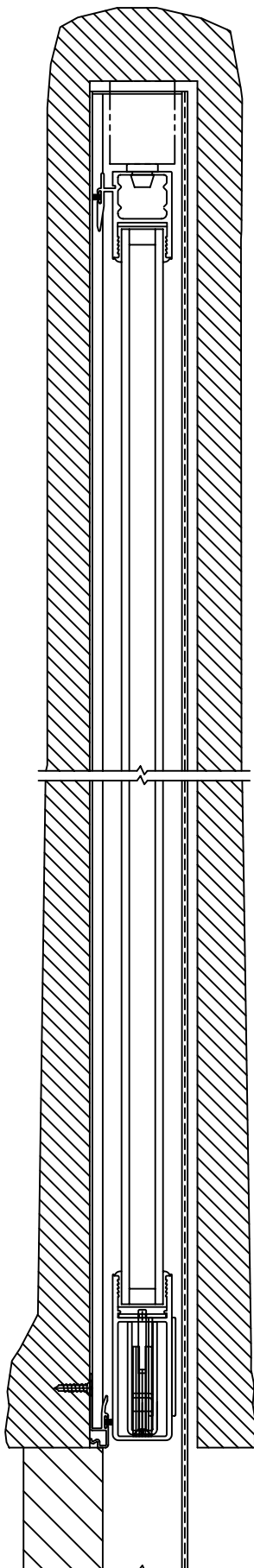
NORWOOD 3070EX M/S
PX CUSTOM CONFIGURATION
NO SCREENS

ORDER NO.:

ITEM NO.:

SCALE: 1/4

POCKET VIEW: PANEL IN OPEN POSITION



DWG NO.: 3070-EX-PX-NSD-IS-MS-ST-HF-DN-AN-PEN-PN-PU

SHEET: 2 OF 2

CUSTOMER
SIGNATURE

DATE: