

FLEETWOOD
WINDOWS & DOORS
FleetwoodUSA.com

NORWOOD 3070EX M/S
PX CUSTOM CONFIGURATION
NO SCREENS

ORDER NO.:

ITEM NO.:

SCALE: 1/4

REQUIRED DEALER INFO.

A(DAYLIGHT WIDTH)

B(NET FRAME HEIGHT)

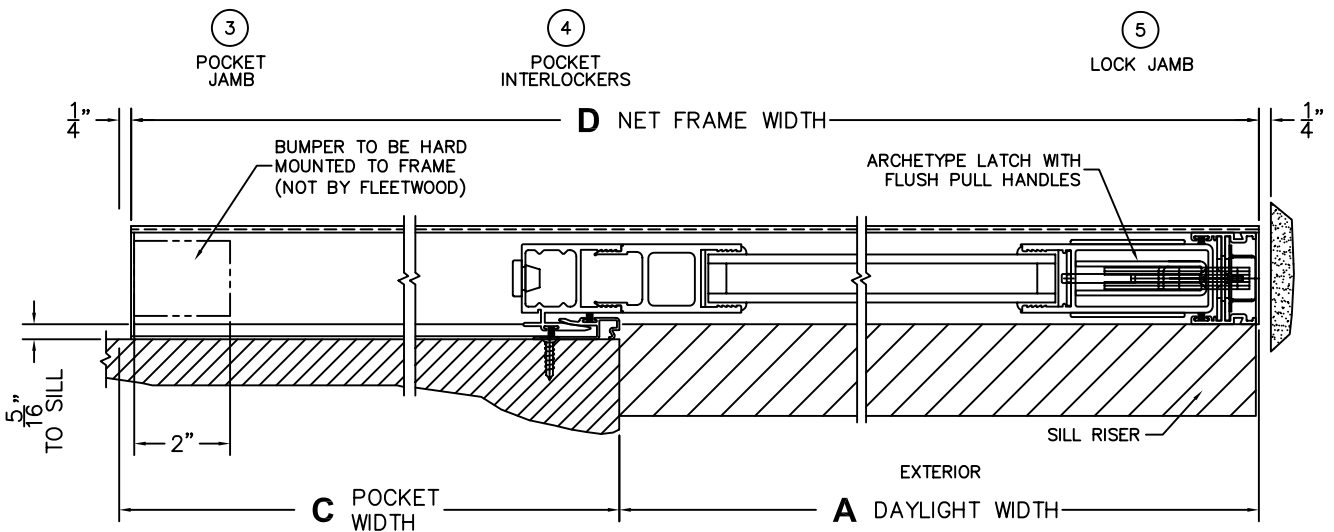
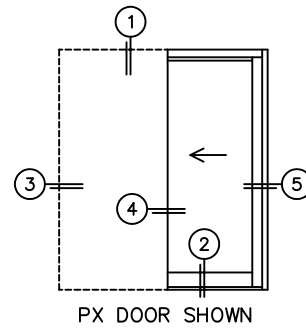
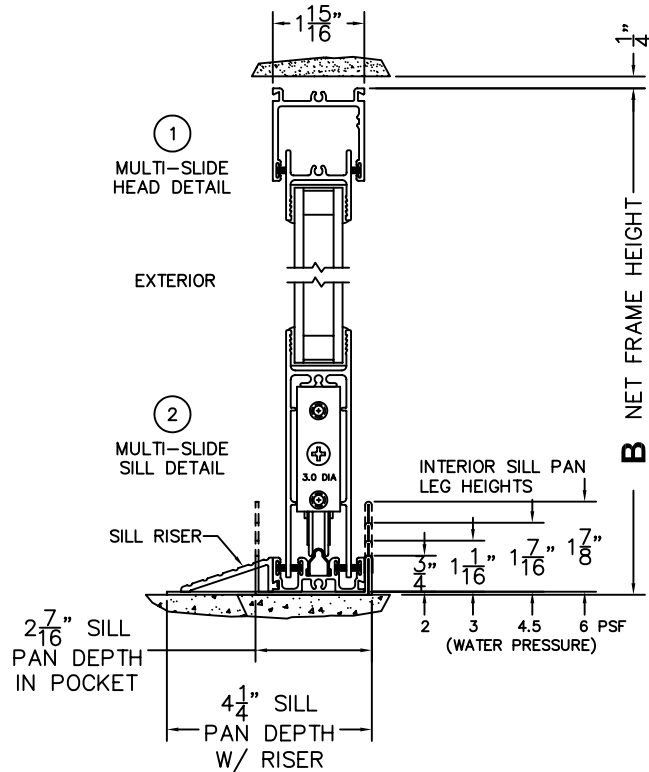
SILL PAN HEIGHT(INTERIOR LEG)
(3/4", 1-1/16", 1-7/16" OR 1-7/8")

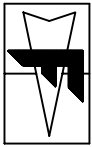
CALCULATED VALUES (FLEETWOOD SUPPLIED)

C(POCKET WIDTH)

D(NET FRAME WIDTH)

NOTES:





FLEETWOOD
 WINDOWS & DOORS
 FleetwoodUSA.com

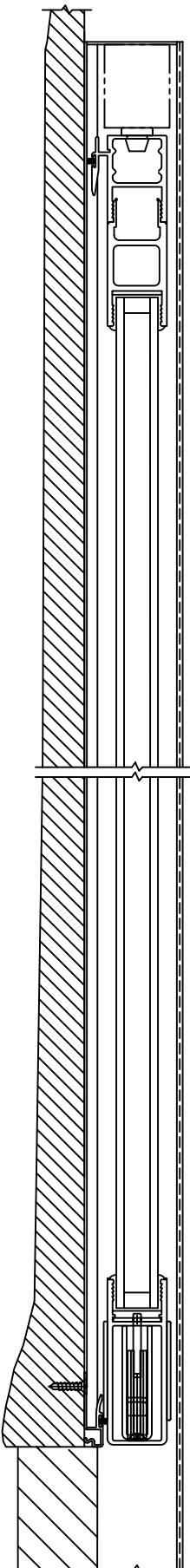
NORWOOD 3070EX M/S
 PX CUSTOM CONFIGURATION
 NO SCREENS

ORDER NO.:

ITEM NO.:

SCALE: 1/4

POCKET VIEW: PANEL IN OPEN POSITION



DWG NO.: 3070-EX-PX-NSD-IS-MS-ST-HF-DN-AN-PE2-PAN-PL-006

SHEET: 2 OF 2

CUSTOMER
SIGNATURE

DATE: